

4

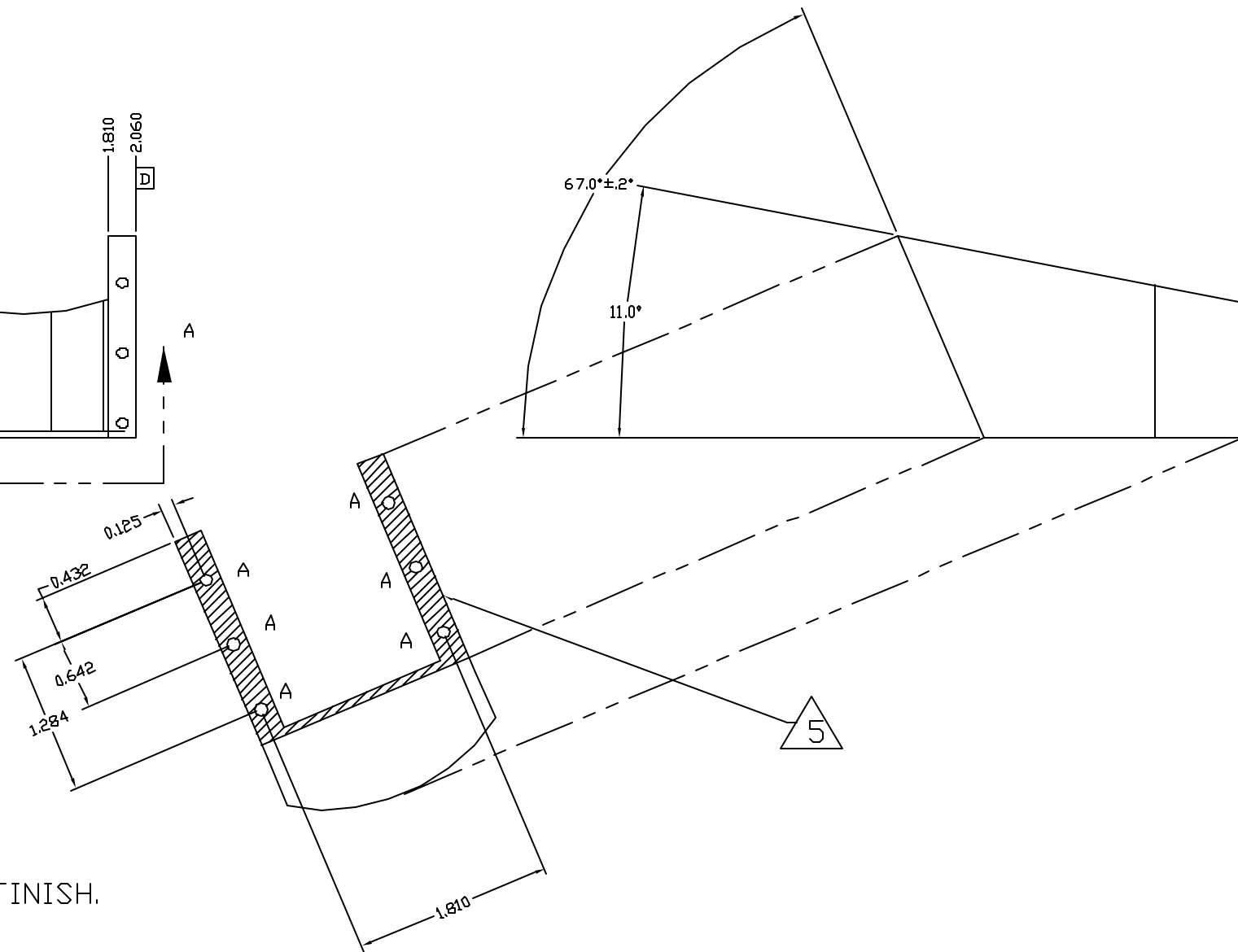
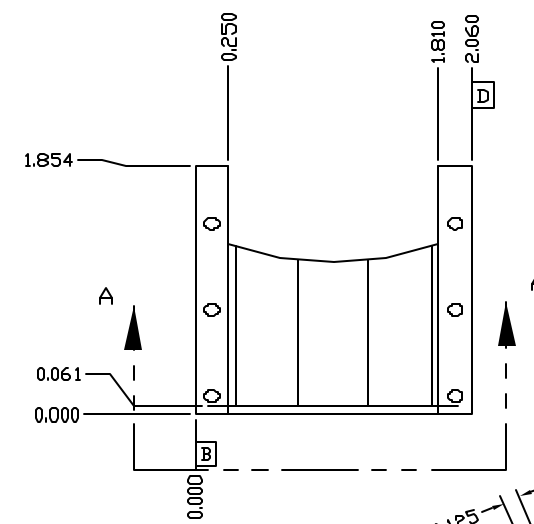
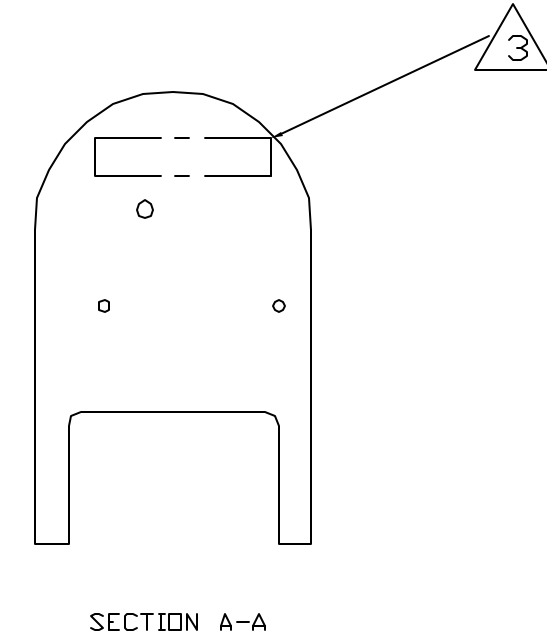
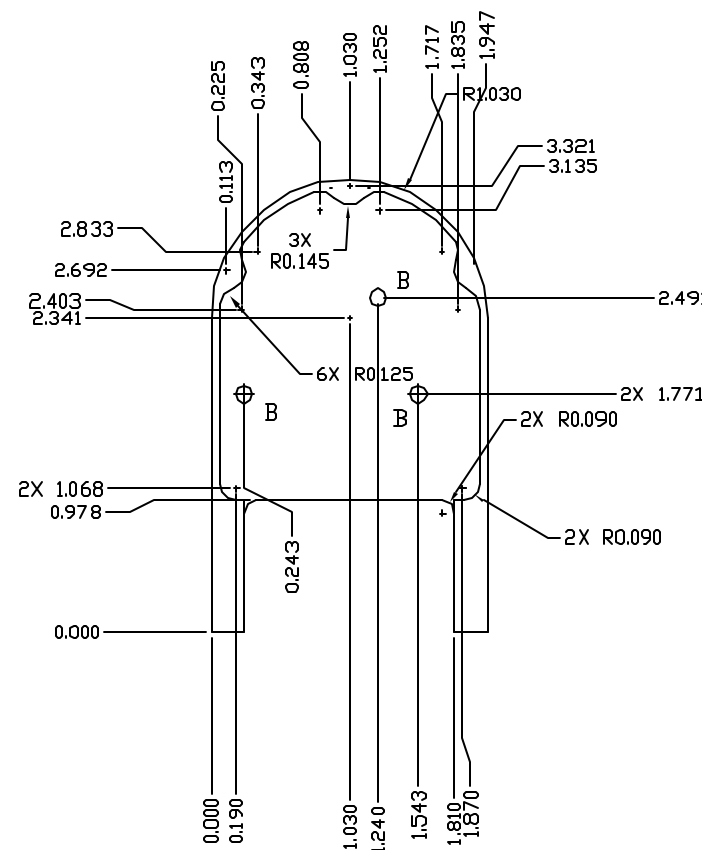
3

2

1

HOLE CHART			
HOLE	QTY	TOLERANCE	DESCRIPTION
A	6	$\varnothing \phi .010 \text{ (M) B A C}$	$\phi .120 \begin{smallmatrix} +.003 \\ -.002 \end{smallmatrix}$ , .375 DP MIN, $\sphericalangle \phi .155 \pm .010 \times 120^\circ \pm 5^\circ$ , TAP THRU FOR .112-40 UNC HELICAL STI. INSTALL INSERT (FN 1) 3/4 - 1 1/2 PITCH BELOW SURFACE. INSTALL INSERT AFTER FINISH.
B	3	$\varnothing \phi .010 \text{ (M) A B C}$	$\phi .121 \begin{smallmatrix} +.003 \\ -.003 \end{smallmatrix}$ THRU

REVISIONS					
ECO	REV	DESCRIPTION	CHECKED	APPROVE	APPROVED
85-121	01	PRE RELEASE			
85- 02		ADD MISSING ANGLES change outline			



- NOTES:
- INSTALL INSERT AFTER FINISH. REMOVE TANG.
  - CLEANLINESS REQUIREMENTS PER SN-C-0005 LEVEL VC-SENSITIVE..
  - PERMANENT INK STAMP PN AND REV LETTER IN .12 HIGH CHARACTERS WITH ITEM 2 AFTER FINISH. LOCATE APPROXIMATELY WHERE SHOWN. ENGRAVING IS ACCEPTABLE PRIOR TO FINISH.
  - ANODIZE PER NASA/JSC PRC 5006, CLASS 2 TYPE II, COLOR BLACK.
  - MASK FROM BLACK ANODIZE AS SHOWN. CHEM FILM PER MIL-C-5541 CLASS 3.
  - DEBUR AND BREAK SHARP EDGES.

		UNLESS OTHERWISE SPECIFIED DIMENSIONS ARE IN INCHES TOLERANCE: ANGLES +/- 1° 3 PLACE DECIMALS +/- .005 2 PLACE DECIMALS +/- .01	NAME	DATE	Massachusetts Institute of Technology Center for Space Research VOILA			
			DRAWN	M. SMITH				
		MATERIAL 6061 T6 ALUM	CHECKED		HOUSING, IC1 HEAD DISPLAY ASSEMBLY			
			APPROVED					
85-40100	VOILA	NOTES 4, 5 FINISH	RELEASED		SIZE	FSCM NO.	DWG NO.	REV
NEXT ASSEMBLY	USED ON		CAD FILE	C	80230	85-40153	B	
APPLICATION			SCALE	1:1	SHEET		1 OF 1	

4

3

2

1