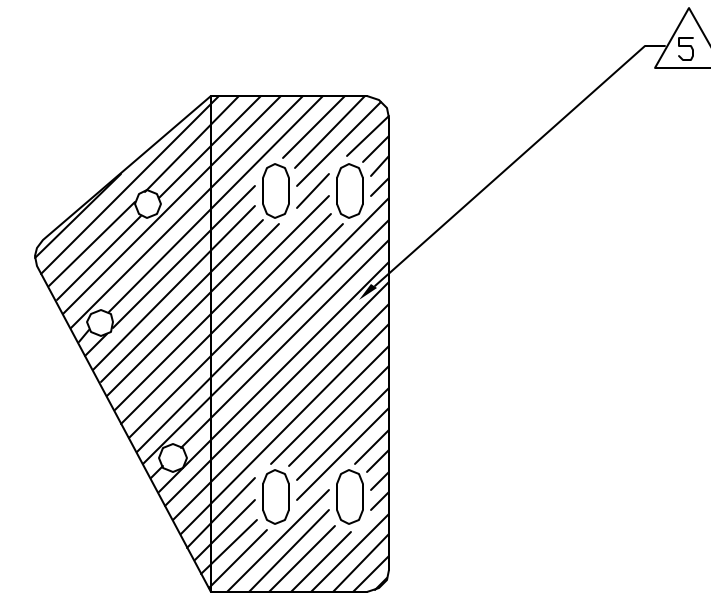
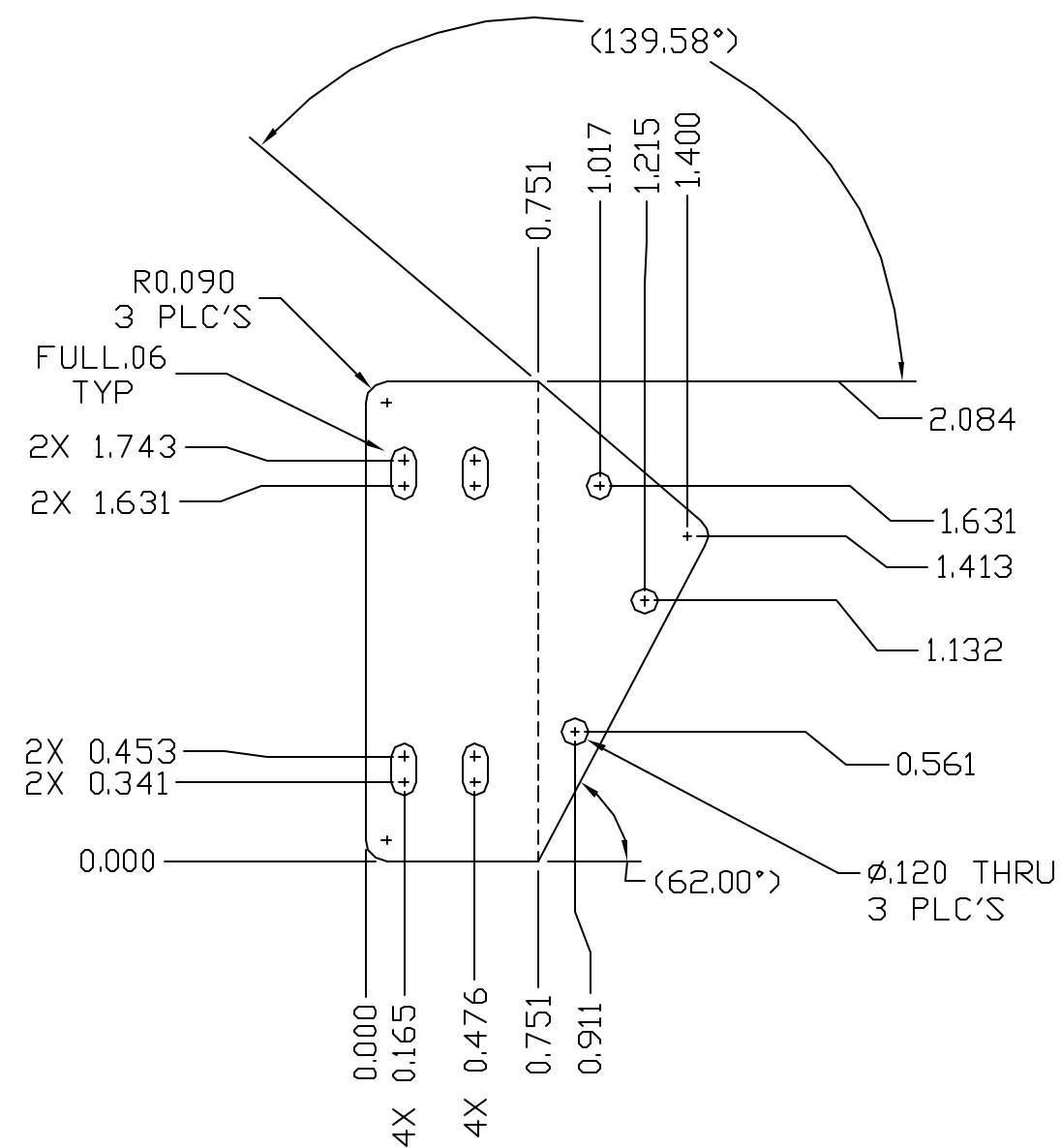
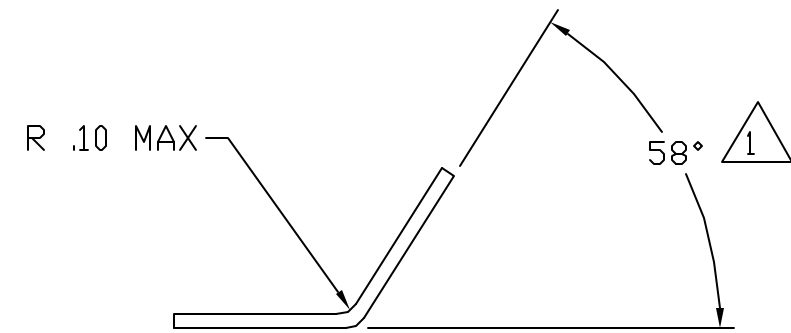


REVISIONS					
ECO	REV	DESCRIPTION	CHECKED	APPROVE	APPROVED
85-121	01	PRE RELEASE			
85-150	A	WAS DRG. 85-40100.52 ADD MISSING DIM. ADD BEND.			



NOTES:

1. BEND AFTER MACHINING AND PRIOR TO PLATING.
2. CLEANLINESS REQUIREMENTS PER SN-C-0005 LEVEL VC-SENSITIVE..
3. BAG AND TAG WITH PART NUMBER AND REV LETTER.
4. ANODIZE PER NASA/JSC PRC 5006, CLASS 2 TYPE II, COLOR BLACK.
5. MASK FROM BLACK ANODIZE AS SHOWN. CHEM FILM PER MIL-C-5541 CLASS 3.
6. DEBUR AND BREAK SHARP EDGES.

85-40152.01 AS SHOWN
85-40152.02 OPPOSITE

		UNLESS OTHERWISE SPECIFIED DIMENSIONS ARE IN INCHES TOLERANCE: ANGLES +/- 1° 3 PLACE DECIMALS +/- .005 2 PLACE DECIMALS +/- .01	NAME	DATE	Massachusetts Institute of Technology Center for Space Research VOILA			
			DRAWN	M. SMITH				
		MATERIAL 6061-T6 ALUM	CHECKED		BRACKET, IC1 HEAD DISPLAY ASSEMBLY			
85-40100			APPROVED					
NEXT ASSEMBLY			RELEASED					
APPLICATION		NOTES 4, 5 FINISH	CAD FILE		SIZE C	FSCM NO. 80230	DWG NO. 85-40152	REV A
				SCALE	1:1	SHEET		1 OF 1