

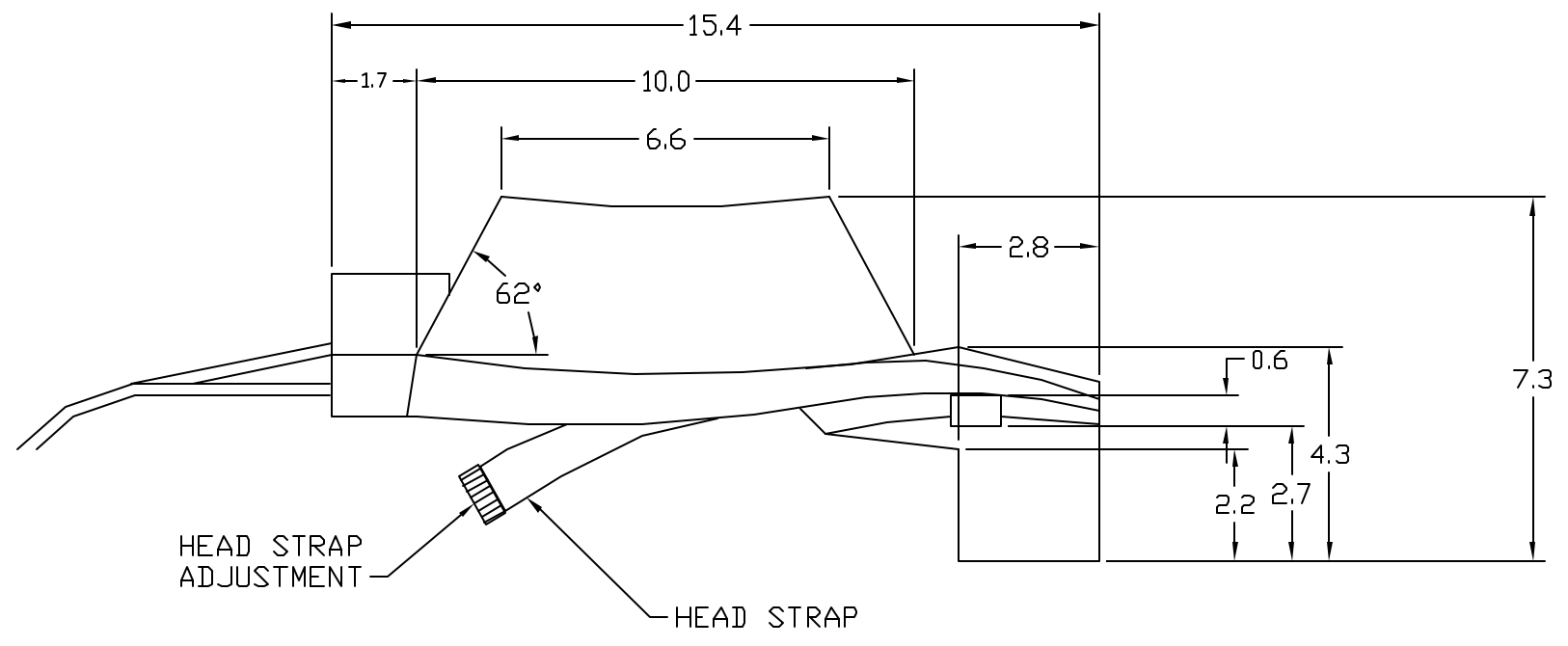
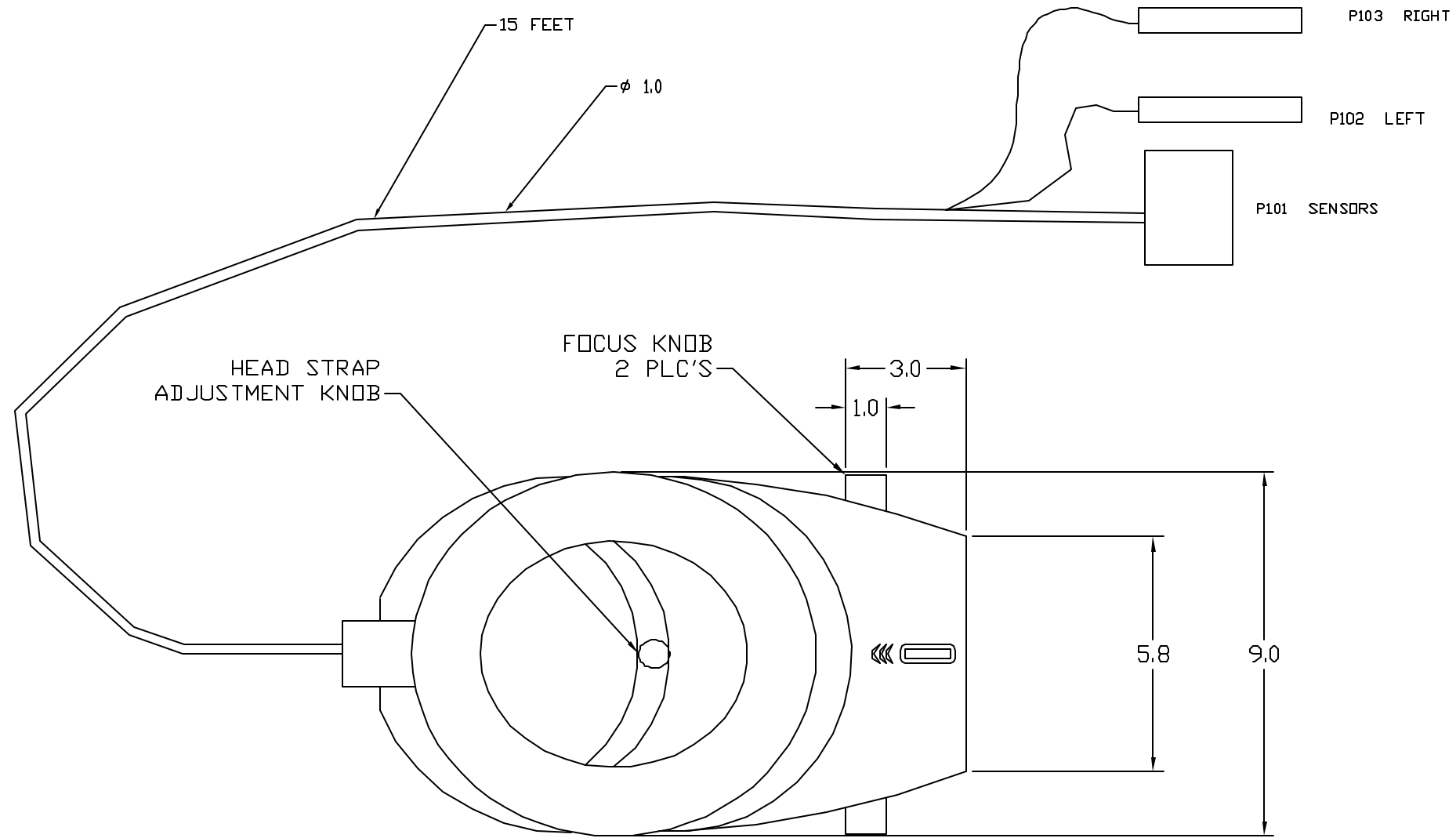
4

3

2

1

| REVISIONS |     |             |         |          |      |
|-----------|-----|-------------|---------|----------|------|
| ECO       | REV | DESCRIPTION | CHECKED | APPROVED | DATE |
| 85-94     | 01  | PRE RELEASE |         |          |      |



- NOTES:
1. ALL DIMENSIONS ARE IN INCHES.
  2. CABLE COIL DIAMETER IS 10.0" X 2" HIGH.
  3. SERIAL NUMBERS STARTING WITH 100 ARE TRAINING UNITS.  
SERIAL NUMBERS STARTING WITH 300 ARE FLIGHT UNITS.

|               |         |   |          |      |   |       |              |        |
|---------------|---------|---|----------|------|---|-------|--------------|--------|
|               |         | UNLESS OTHERWISE SPECIFIED<br>DIMENSIONS ARE IN INCHES<br>TOLERANCE: ANGLES +/- 1°<br>3 PLACE DECIMALS +/- .005<br>2 PLACE DECIMALS +/- .01 | NAME     | DATE | Massachusetts Institute of Technology<br>Center for Space Research<br>VOILA |       |              |        |
|               |         |   | DRAWN    |      | ICD<br>HEAD DISPLAY ASSEMBLY  |       |              |        |
|               |         | MATERIAL  | CHECKED  |      |   |       |              |        |
| 85-40100      | VOILA   | N/A   | APPROVED |      | C   | 80230 | 85- 40100.99 | 01     |
| NEXT ASSEMBLY | USED ON | N/A   | RELEASED |      | SCALE   | 1:1   | SHEET        | 1 OF 1 |
| APPLICATION   |         | WEIGHT: 6.0 -6.25 LBS   | CAD FILE |      |   |       |              |        |

4

3

2

1