

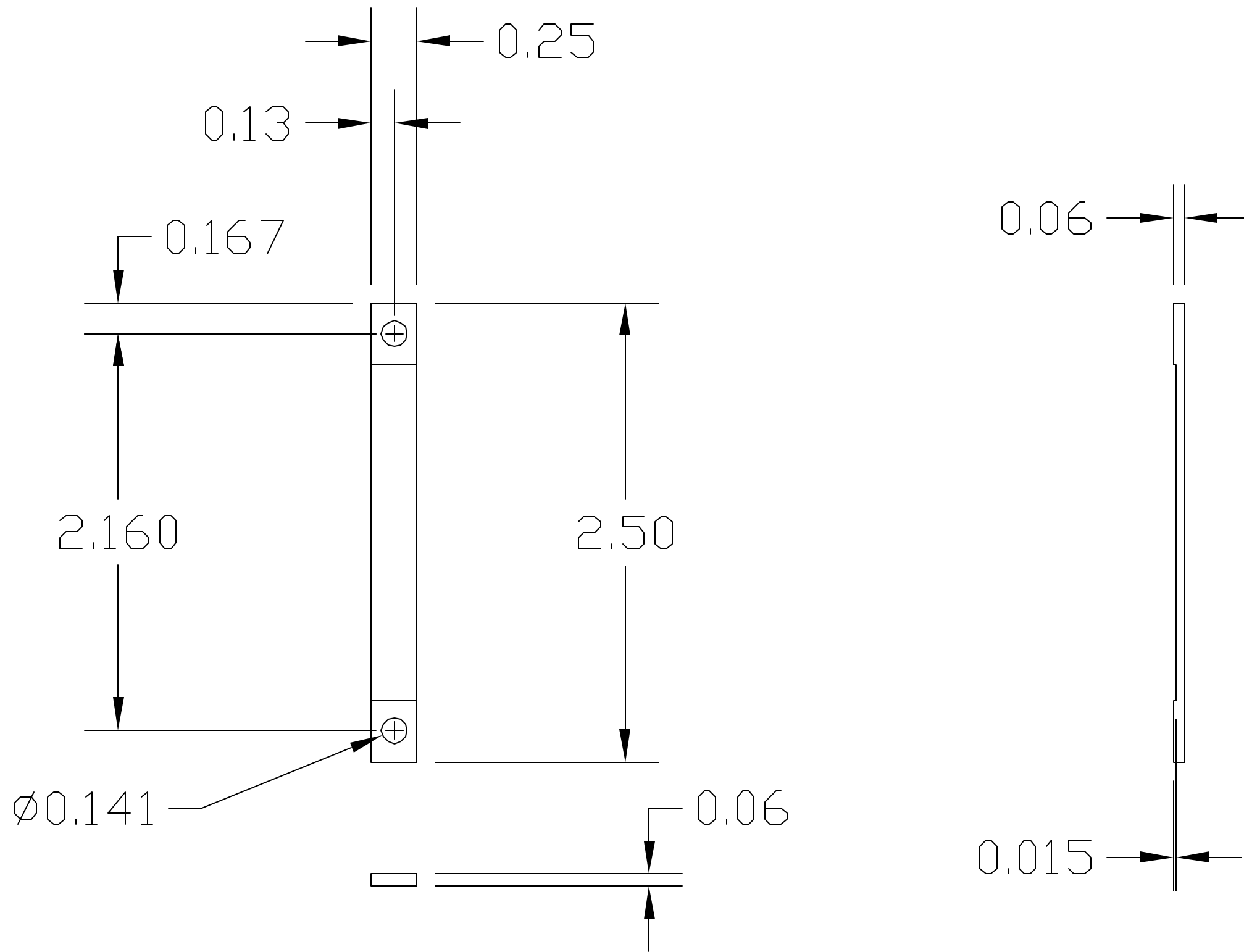
4

3

2

1

REVISIONS					
ECO	REV	DESCRIPTION	CHECKED	APPROVED	DATE
85-171	A	INITIAL RELEASE			



NOTES

- 1. BAG AND TAG WITH PART NUMBER AND REV LETTER.
- 2. CLEANLINESS REQUIREMENTS PER NAS/JSC SN-C-005, LEVEL VC.

		UNLESS OTHERWISE SPECIFIED DIMENSIONS ARE IN INCHES TOLERANCE: ANGLES +/- 1° 3 PLACE DECIMALS +/- .005 2 PLACE DECIMALS +/- .01	NAME	DATE	Massachusetts Institute of Technology Center for Space Research VOILA				
			DRAWN	M. SMITH					10/24/04
			MATERIAL	CHECKED		BRACE, CROSS, RIBBON CABLE			
			TEFLON	APPROVED					
			FINISH	RELEASED					
85-30300	VOILA				SIZE	FSCM NO.	DWG NO.	REV	
NEXT ASSEMBLY	USED ON				C	80230	85-30398	A	
APPLICATION			CAD FILE		SCALE	1:1	SHEET	1 OF 1	

4

3

2

1

D

D

C

C

B

B

A

A