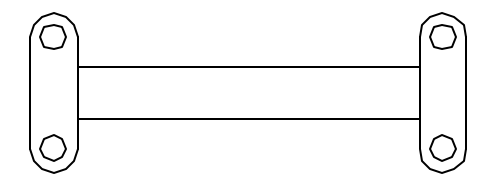
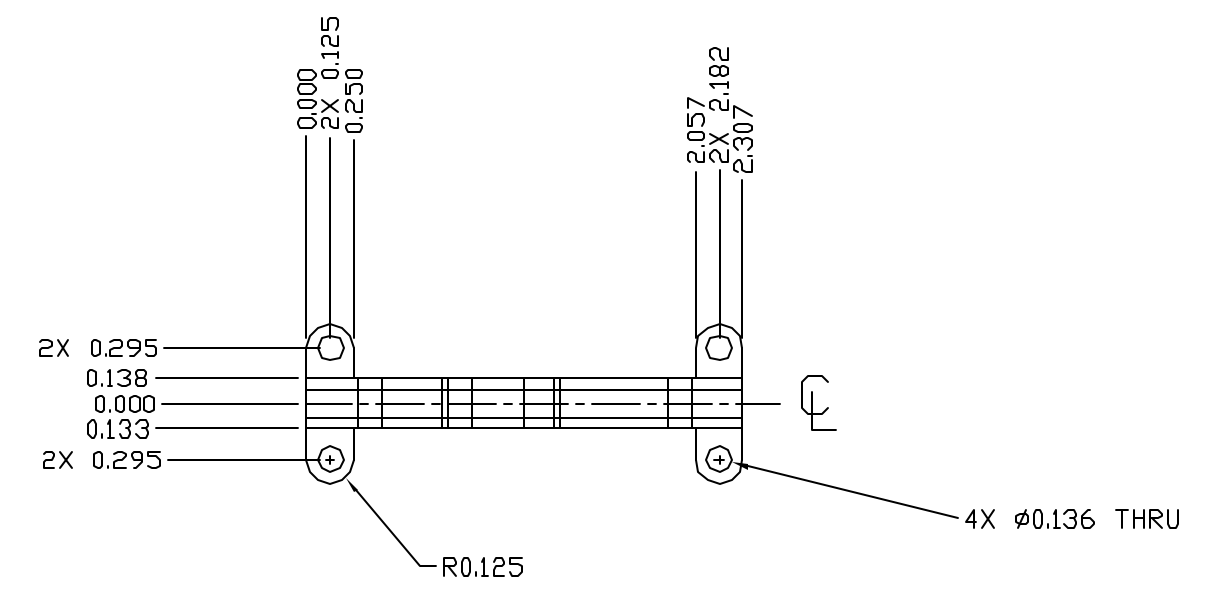
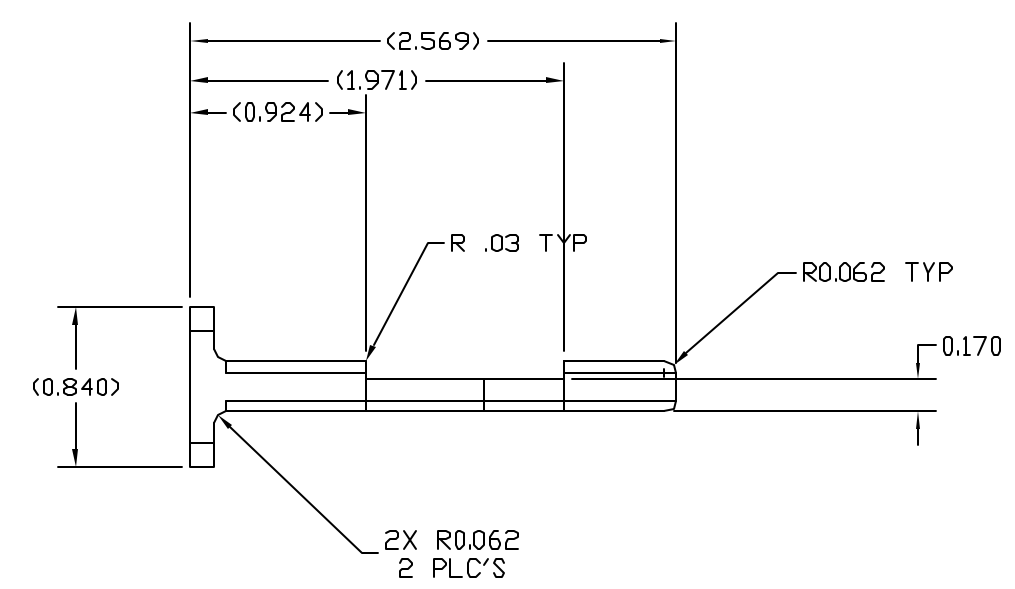
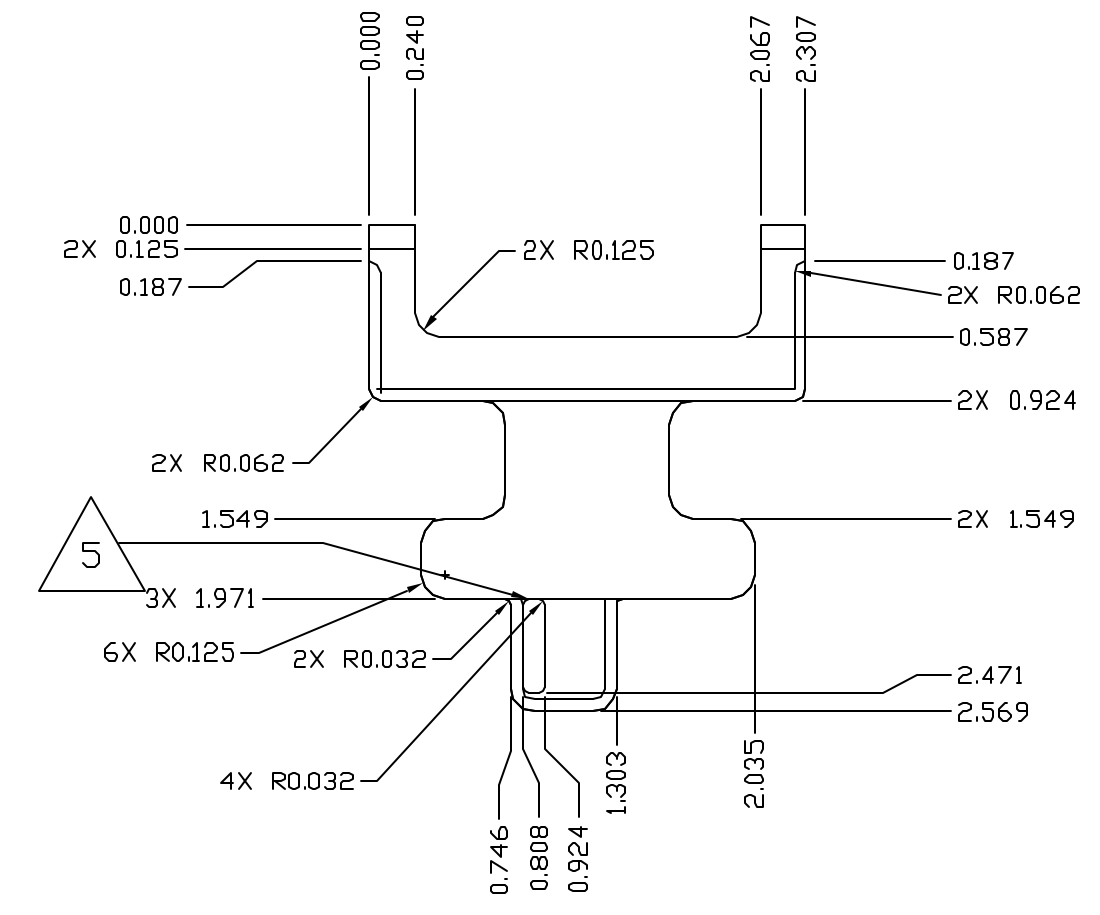


8 | 7 | 6 | 5 | 4 | 3 | 2 | 1

REVISIONS					
EDD	REV	DESCRIPTION	CHECKED	APPROVED	DATE
B5-136	01	INITIAL RELEASE			
B5-163	A	RELEASE			



- NOTES:
- ALL DIMENSIONS ARE IN INCHES.
 - RADIUS ALL EDGES AND CORNERS .01-.03
FILLET RADIUS .02 MAX.
 - BAG AND TAG WITH PART NUMBER AND REV.
 - CHEMFILM PER MIL-C5541, CLASS 3, CLEAR
 - BREAK EDGE AND SHARP CORNERS.

UNLESS OTHERWISE SPECIFIED DIMENSIONS ARE IN INCHES TOLERANCE: ANGLES +/- 1° 3 PLACE DECIMALS +/- .005 2 PLACE DECIMALS +/- .01		NAME	DATE	Massachusetts Institute of Technology Center for Space Research VOILA
MATERIAL ALUM. 6061-T6		DRWN M. SMITH	5/19/04	
NOTE 4 FINISH		CHECKED		SUPPORT BRACKET NVIS CONNECTORS
85-30300 VOILA		APPROVED		
NEXT ASSEMBLY	USED ON	RELEASED		SIZE B
APPLICATION		CAD FILE		FSCM NO. 80230
				DWG NO. 85-30336
				SCALE 1:1
				REV A
				SHEET 1 OF 1

7 | 6 | 5 | 4 | 3 | 2 | 1