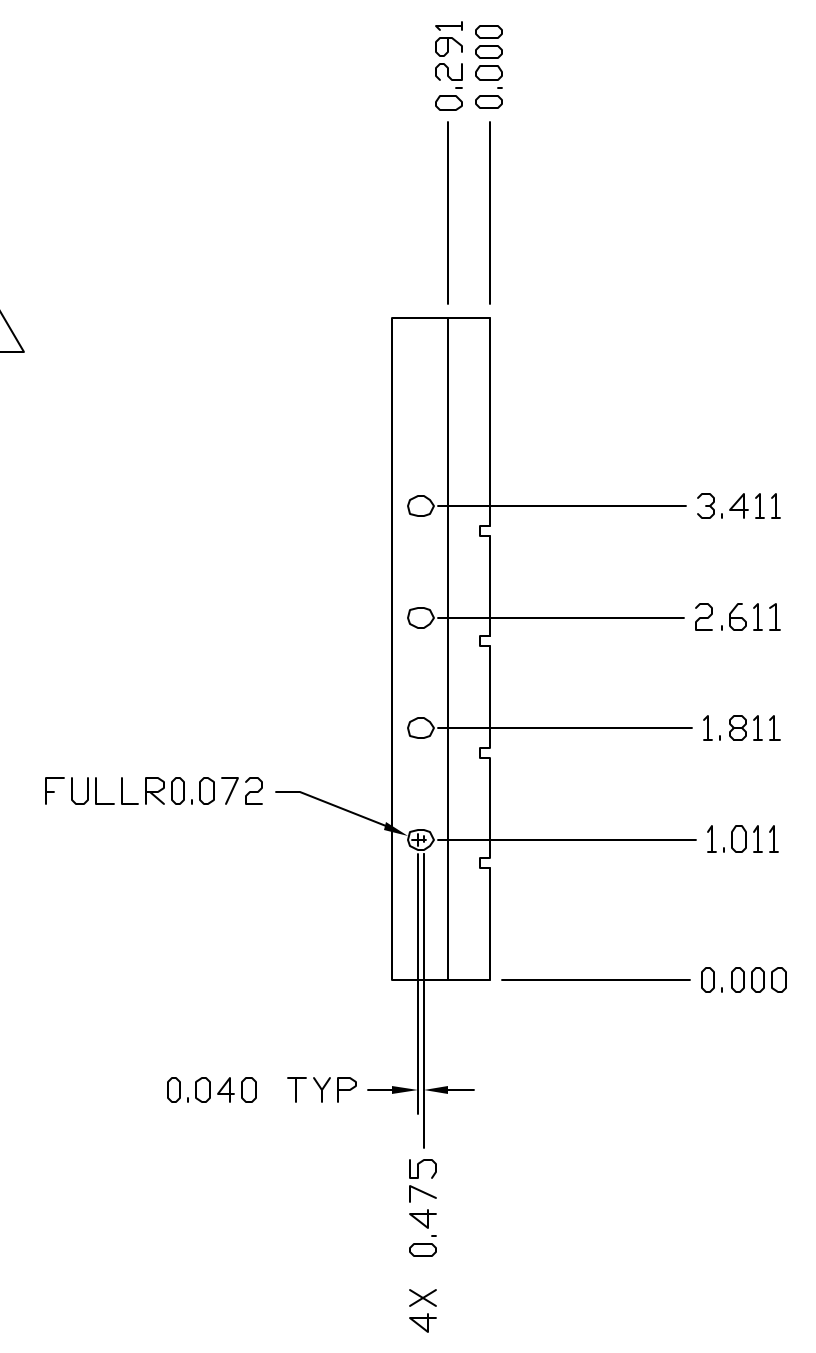
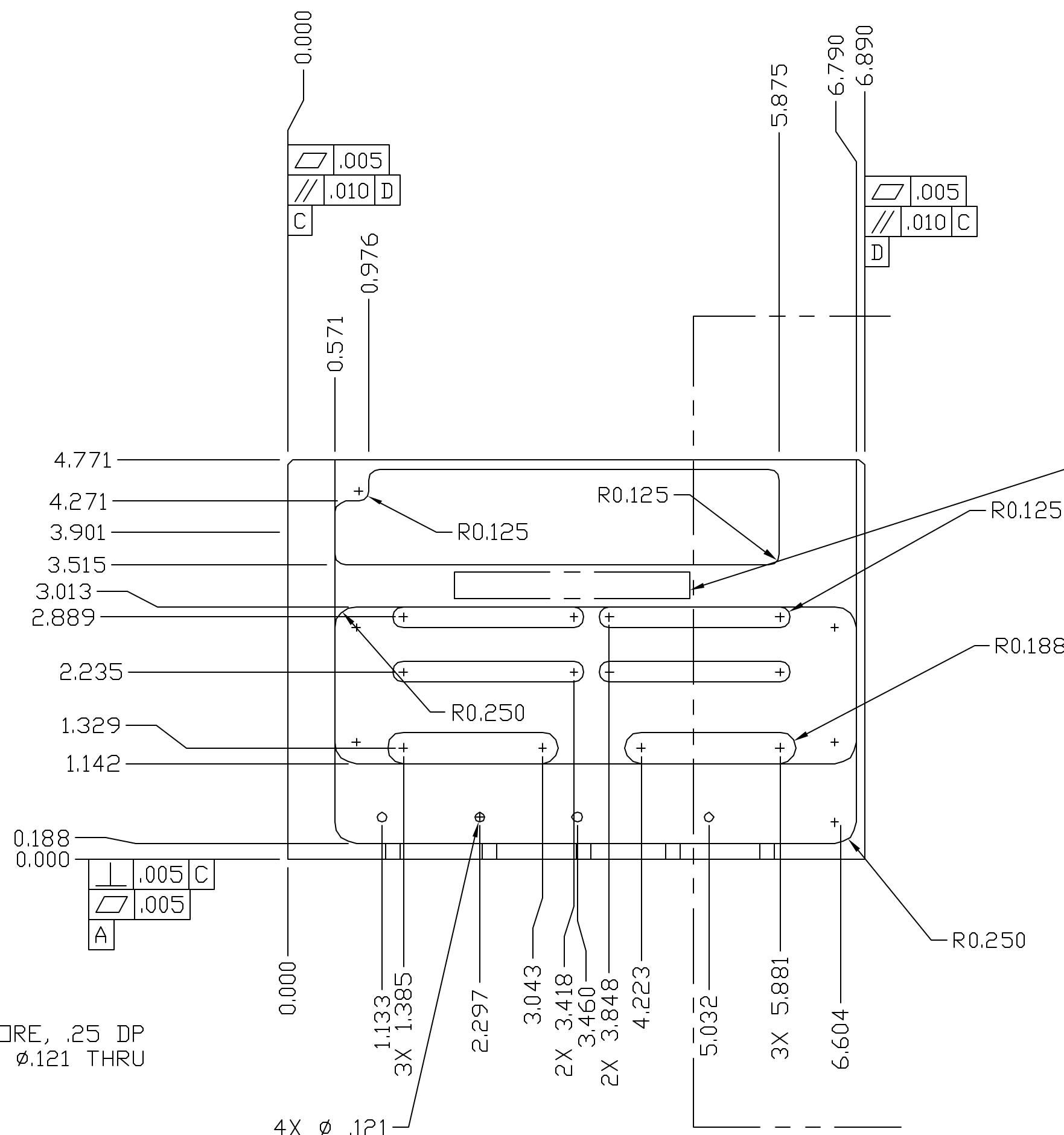
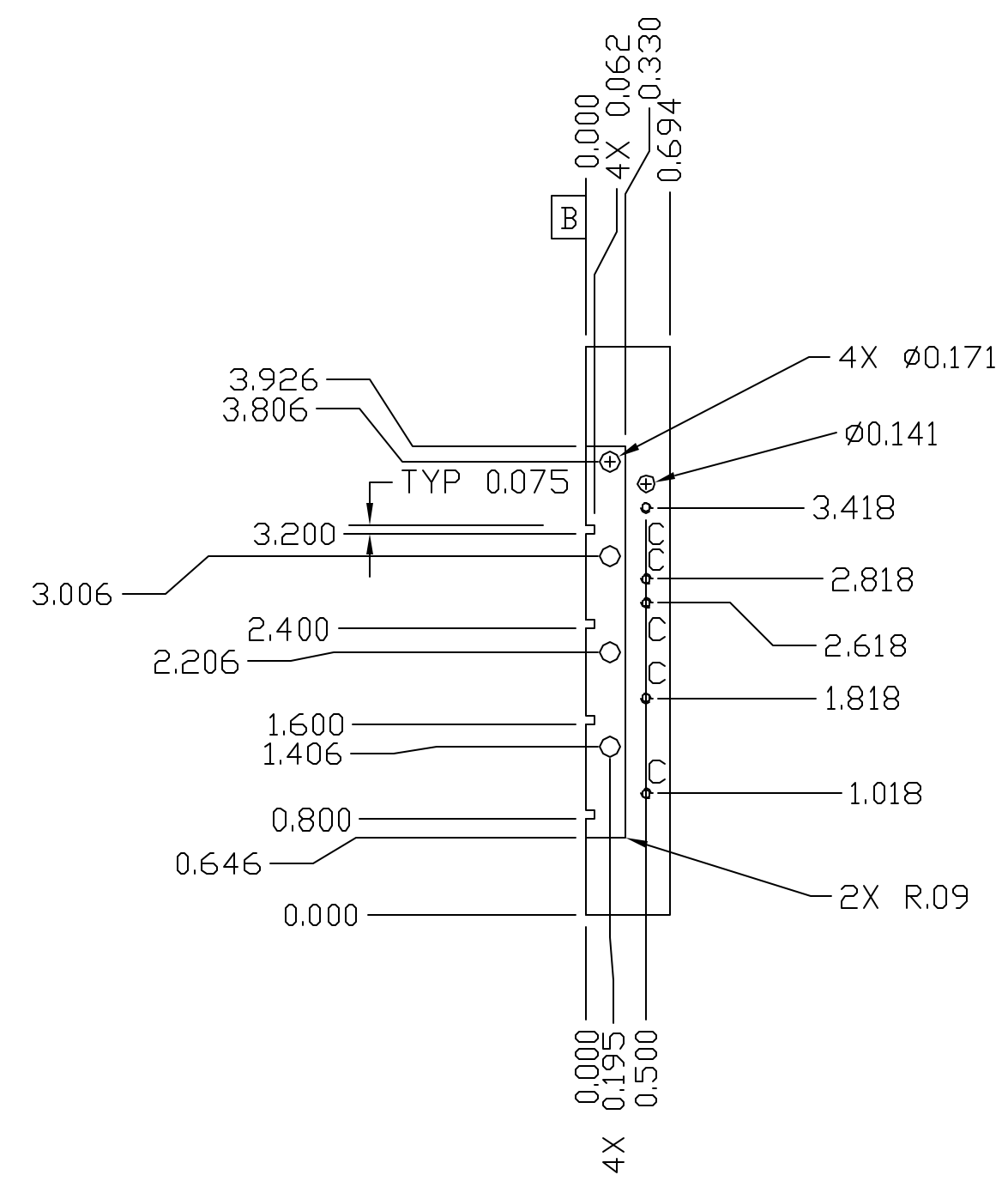
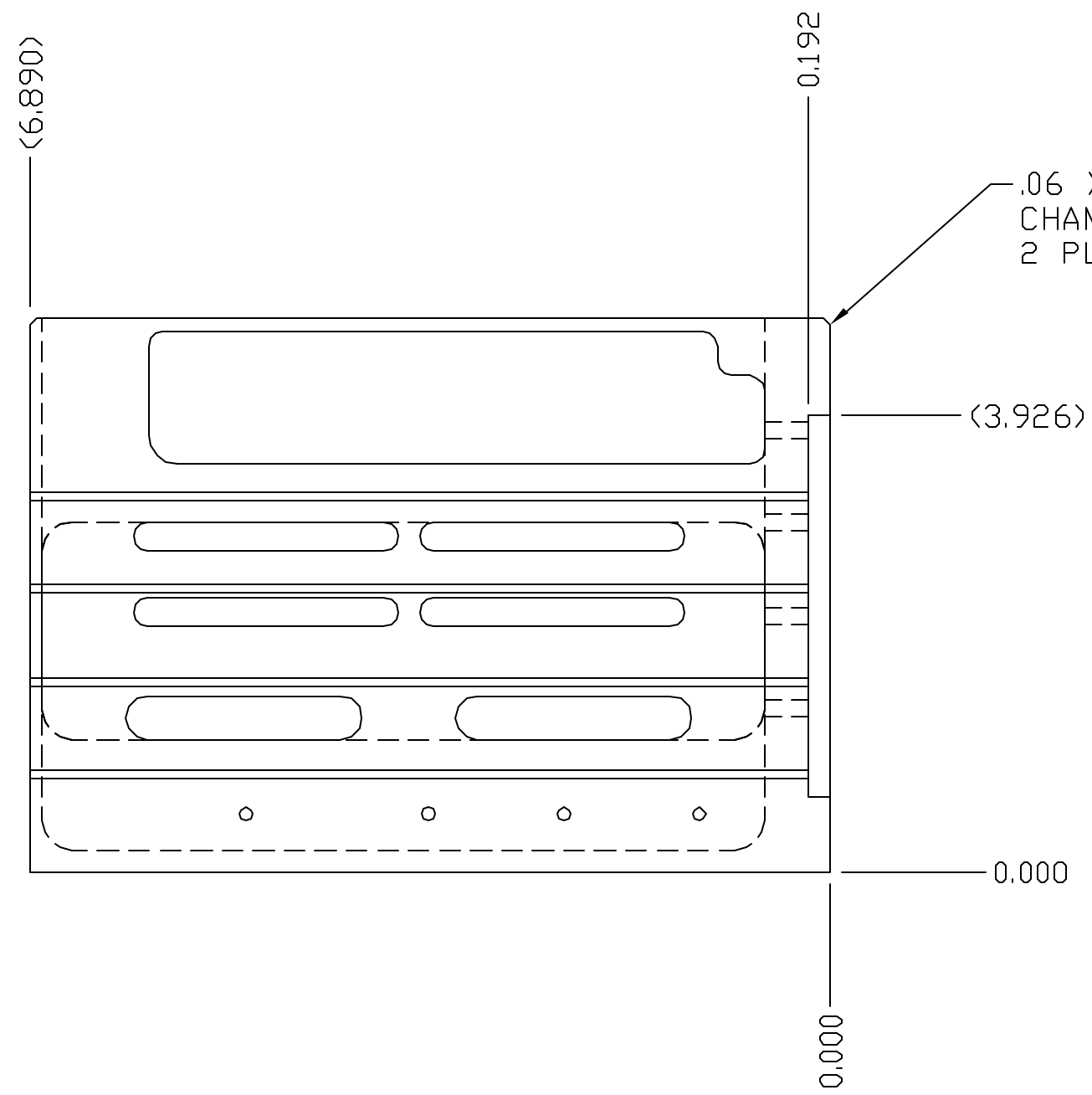
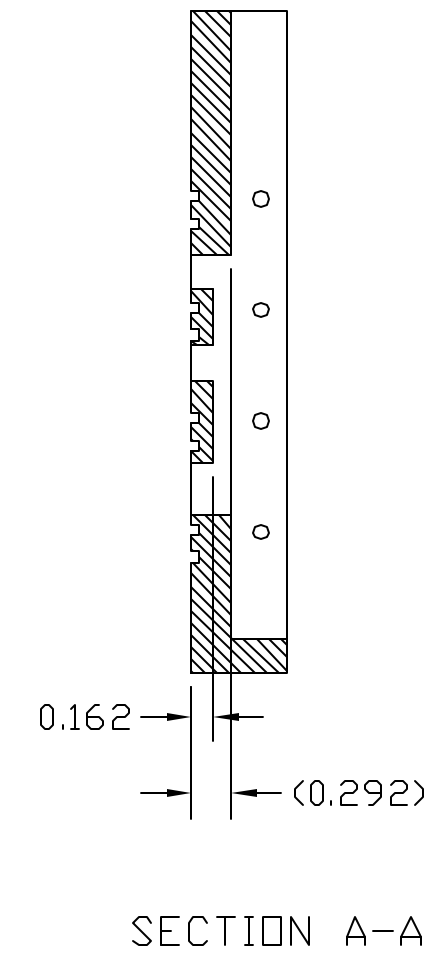
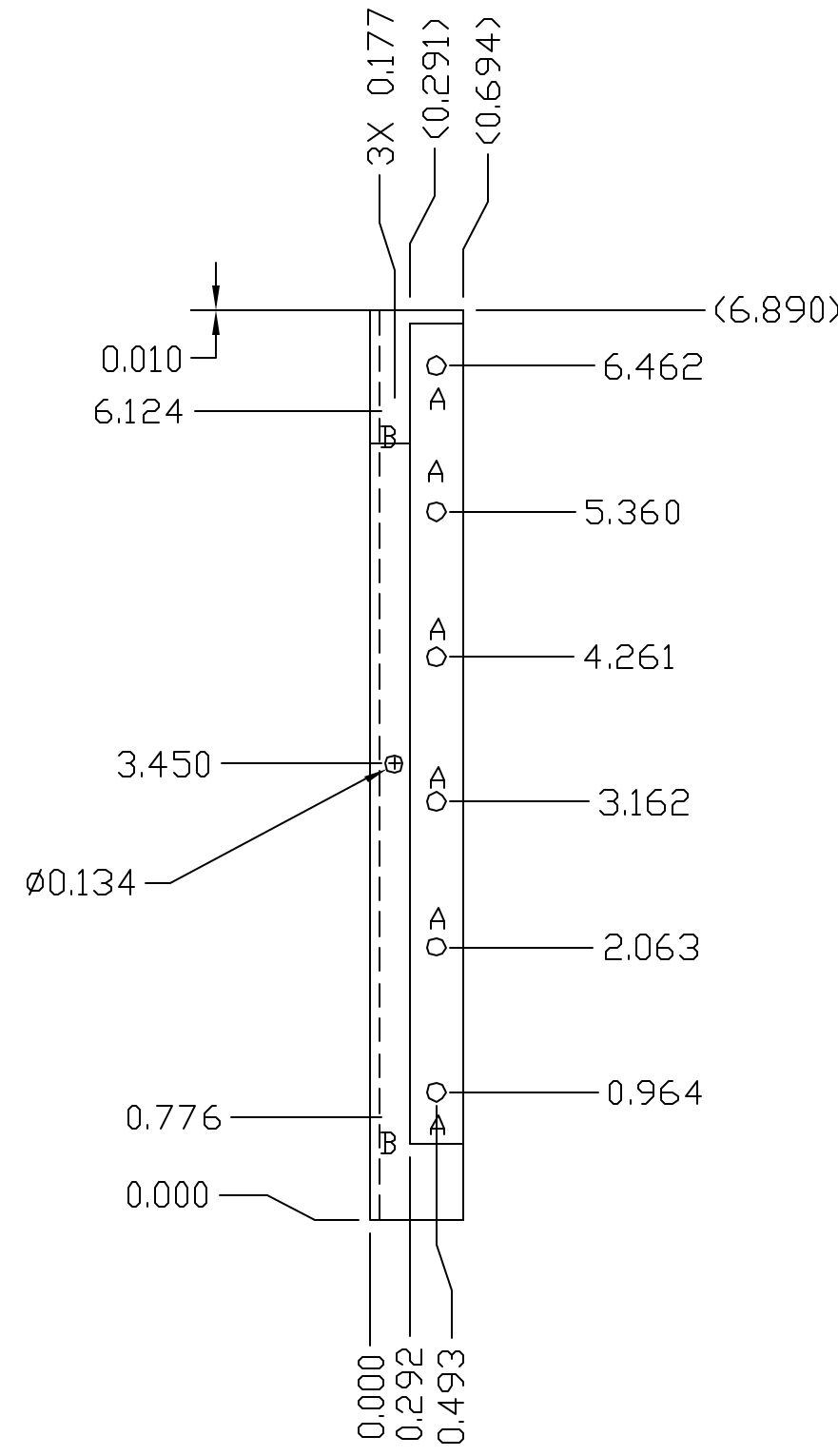


- NOTES:
- ALL DIMENSIONS ARE IN INCHES.
  - RADIUS ALL EDGES AND CORNERS .04- .06.  
FILLET RADIUS .010
  - CHEM FILM PER MIL-C-5541, CLASS 3.

HOLE CHART			
HOLE	QTY	TOLERANCE	DESCRIPTION
A	6	$\text{H} \phi .010 \text{ M}   \text{A}   \text{B}   \text{C}$	$\phi .171 \pm .003$ THRU
B	2	$\text{H} \phi .010 \text{ M}   \text{E}   \text{B}   \text{C}$	$\phi .120 \begin{smallmatrix} +.003 \\ -.002 \end{smallmatrix}$ .43DP, $\sphericalangle \phi .155 \pm .015 \times 120^\circ \pm 5^\circ$ , TAP .25 MIN DP, FOR .112-40 UNC HELICAL STI. INSTALL INSERT (FN 1) 3/4 - 1 1/2 PITCH BELOW SURFACE. INSTALL INSERT AFTER FINISH.
C	5	$\text{H} \phi .010 \text{ M}   \text{E}   \text{B}   \text{C}$	$\phi .094 \begin{smallmatrix} +.003 \\ -.002 \end{smallmatrix}$ .322 DP, $\sphericalangle \phi .100 \pm .010 \times 120^\circ \pm 5^\circ$ , TAP .19 MIN DP, FOR .086-56 UNC HELICAL STI. INSTALL INSERT (FN 2) 3/4 - 1 1/2 PITCH BELOW SURFACE. INSTALL INSERT AFTER FINISH.



REVISIONS					
ECO	REV	DESCRIPTION	CHECKED	APPROVED	DATE
85-137	01	INITIAL RELEASE			
85-154	A	SEE ECO			

UNLESS OTHERWISE SPECIFIED DIMENSIONS ARE IN INCHES TOLERANCE: ANGLES +/- 1° 3 PLACE DECIMALS +/- .005 2 PLACE DECIMALS +/- .01		NAME M. SMITH	DATE 5/19/04	Massachusetts Institute of Technology Center for Space Research VOILA	
MATERIAL 6061 T6 AL.		CHECKED	APPROVED	SIDE PLATE, RIGHT CODA HUB ASSY.	
85-30316.01	VOILA	RELEASED		SIZE D	FSCM NO. 80230
NEXT ASSEMBLY	USED ON	NOTE 3 FINISH		DWG NO. 85-30316.0102	REV A
APPLICATION		SCALE 1:1		SHEET 1 OF 1	