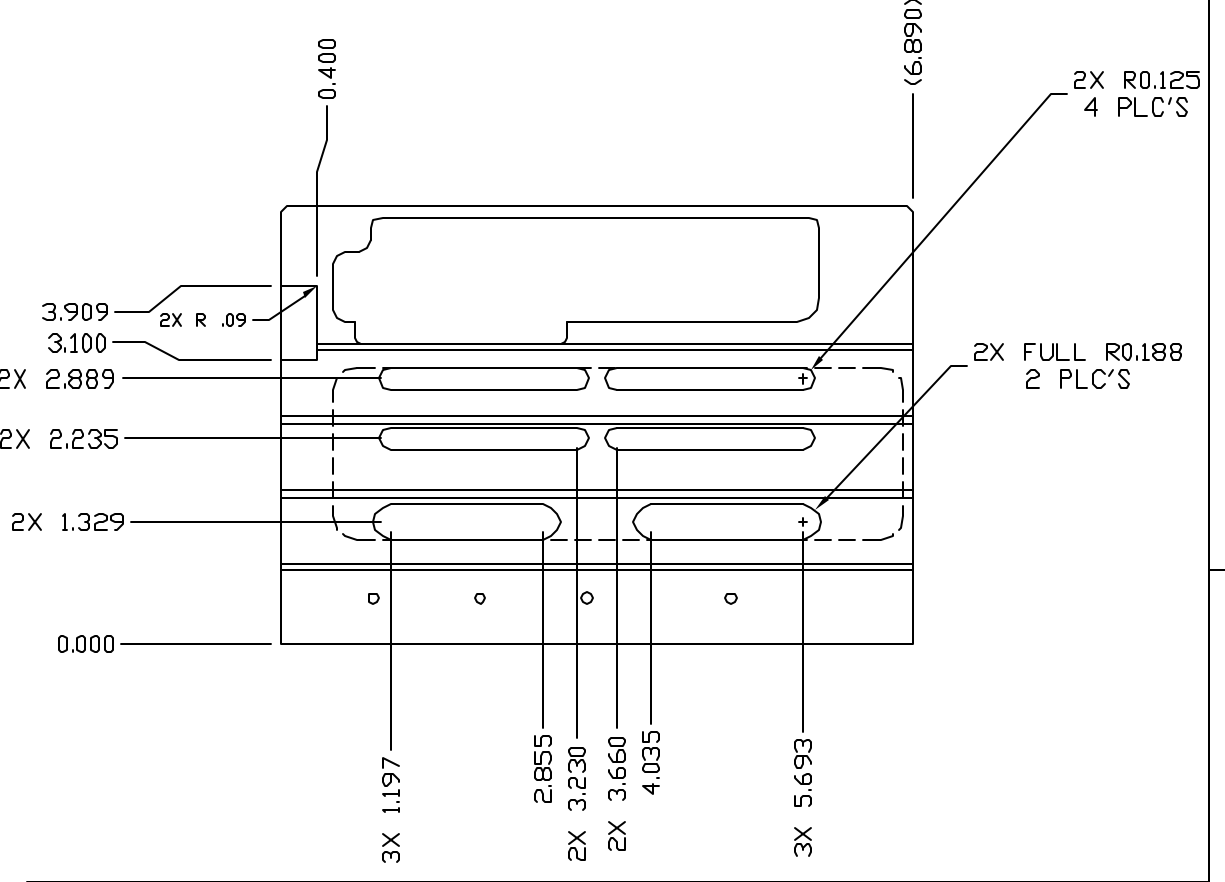
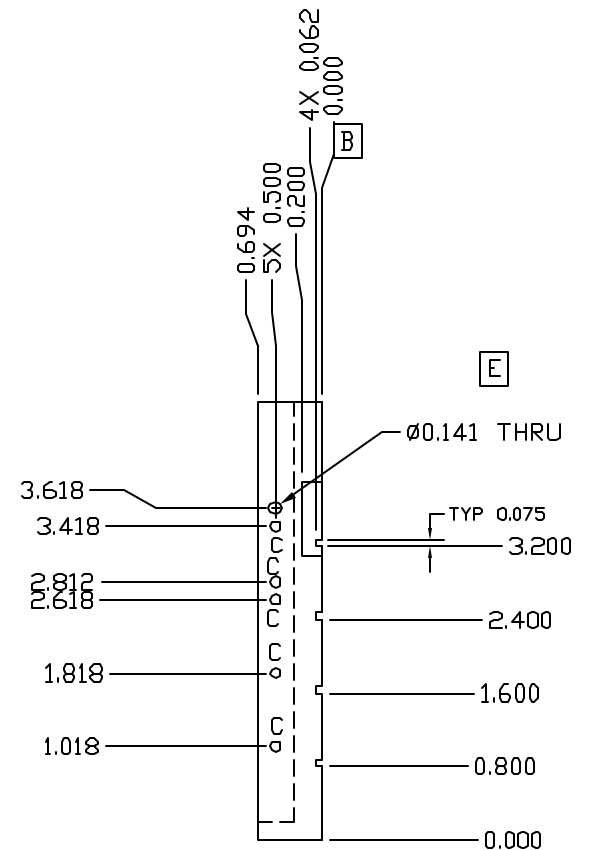
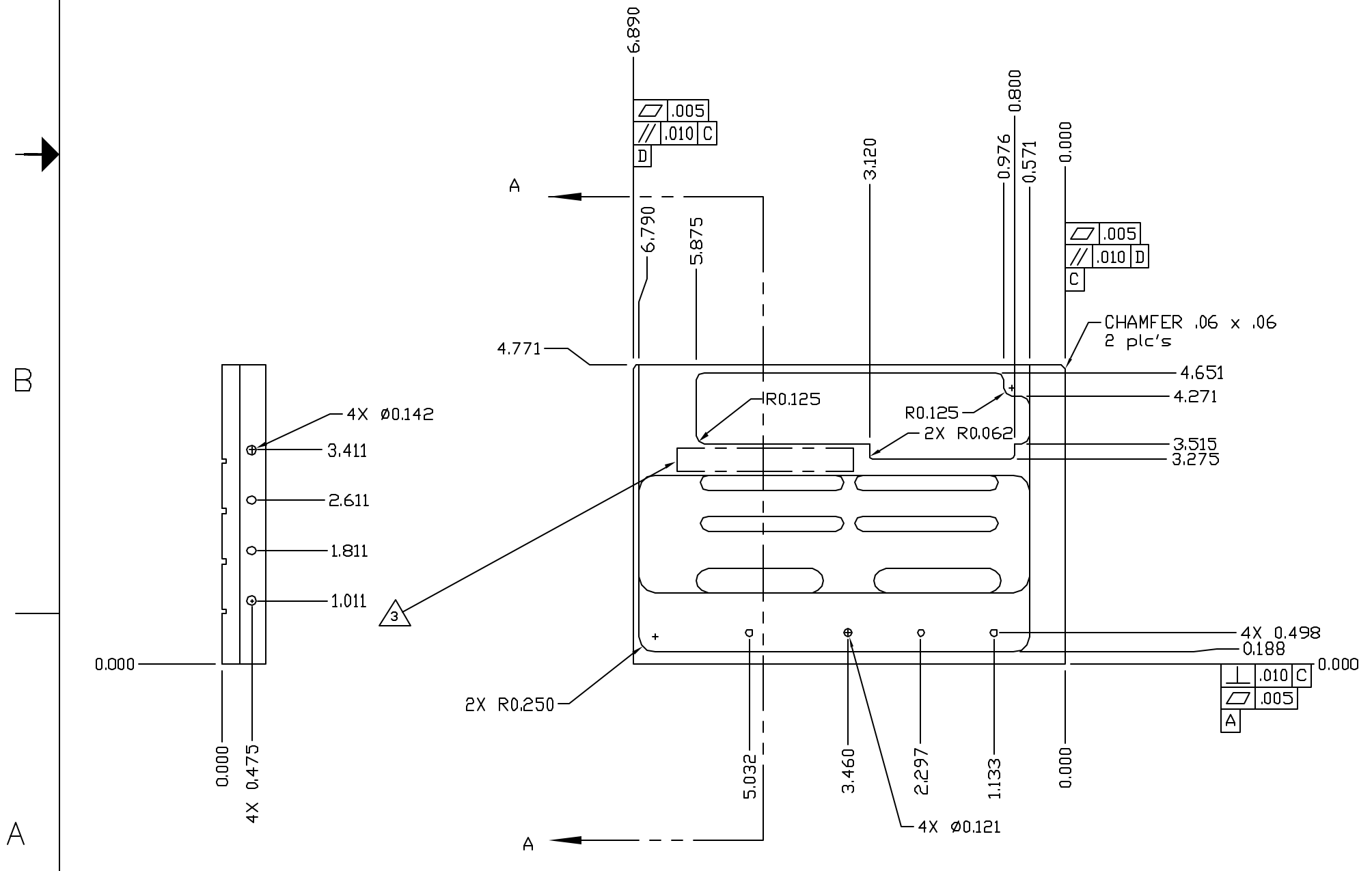
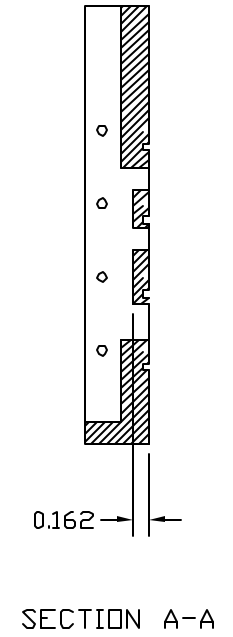
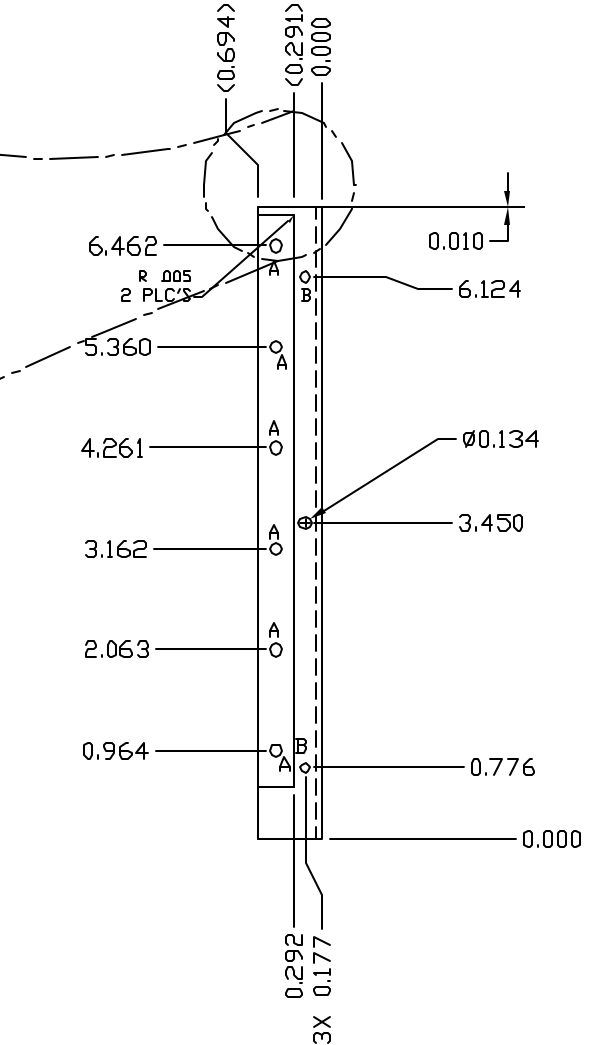
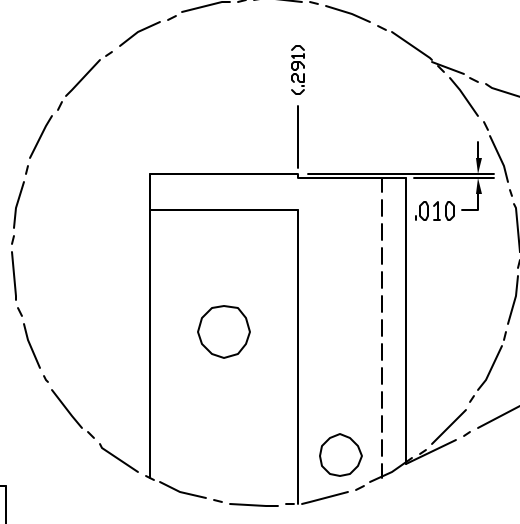


8 7 6 5 4 3 2 1

- NOTES:
 1. ALL DIMENSIONS ARE IN INCHES.
 2. RADIUS ALL EDGES AND CORNERS .04- .06, FILLET RADIUS .010
 3. CHEMFILM PER MIL-C-5541, CLASS 3.

REVISIONS					
ECO	REV	DESCRIPTION	CHECKED	APPROVED	DATE
85-137	01	INITIAL RELEASE			
85-154	A	SEE ECO			

HOLE CHART					
HOLE	QTY	TOLERANCE	DESCRIPTION		
A	6	$\varnothing \pm 0.010 \text{ (M)} \text{ (A) (B) (C)}$	$\varnothing .171 \pm 0.003$ THRU		
B	2	$\varnothing \pm 0.010 \text{ (M)} \text{ (E) (B) (C)}$	$\varnothing .120 \text{ }^{+.003}_{-.002}$.43DP, $\sqrt{\varnothing .155 \pm 0.015 \times 120^\circ \pm 5^\circ}$, TAP .25 MIN DP, FOR .112-40 UNC HELICAL STI. INSTALL INSERT (FN 1) 3/4 - 1 1/2 PITCH BELOW SURFACE. INSTALL INSERT AFTER FINISH.		
C	5	$\varnothing \pm 0.010 \text{ (M)} \text{ (E) (B) (C)}$	$\varnothing .094 \text{ }^{+.003}_{-.002}$.322 DP, $\sqrt{\varnothing .100 \pm 0.010 \times 120^\circ \pm 5^\circ}$, TAP .19 MIN DP, FOR .086-56 UNC HELICAL STI. INSTALL INSERT (FN 2) 3/4 - 1 1/2 PITCH BELOW SURFACE. INSTALL INSERT AFTER FINISH.		



UNLESS OTHERWISE SPECIFIED DIMENSIONS ARE IN INCHES TOLERANCE: ANGLES +/- .1° 3 PLACE DECIMALS +/- .005 2 PLACE DECIMALS +/- .01			NAME DRAWN M. SMITH	DATE 5/19/04	Massachusetts Institute of Technology Center for Space Research VOILA
85-30316.01	VOILA	MATERIAL 6061 T6 AL.	CHECKED	APPROVED	SIDE PLATE, LEFT CODA HUB ASSY.
NEXT ASSEMBLY	USED ON	NOTE 3 FINISH	RELEASED	DWG NO. 80230	DWG NO. 85-30316.0101
APPLICATION		SCALE 1:1	CAD FILE	SHEET 1 OF 1	

8 7 6 5 4 3 2 1