

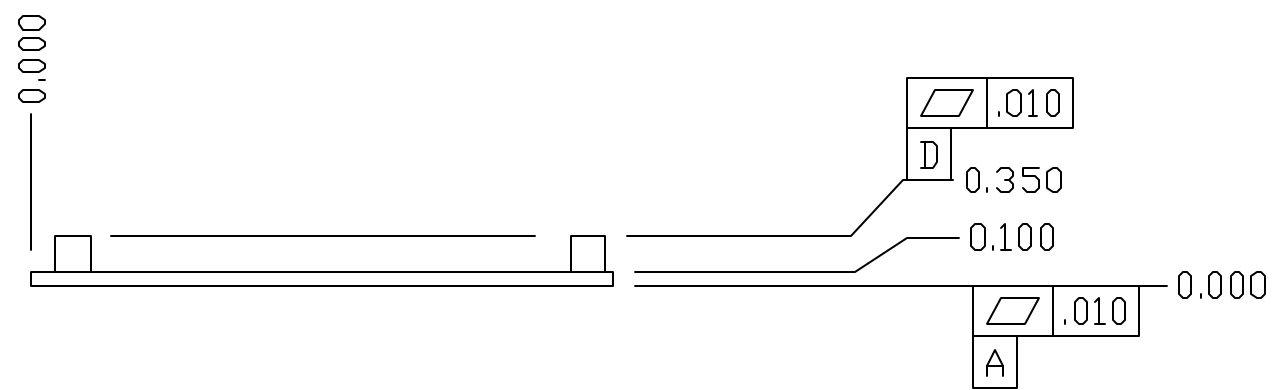
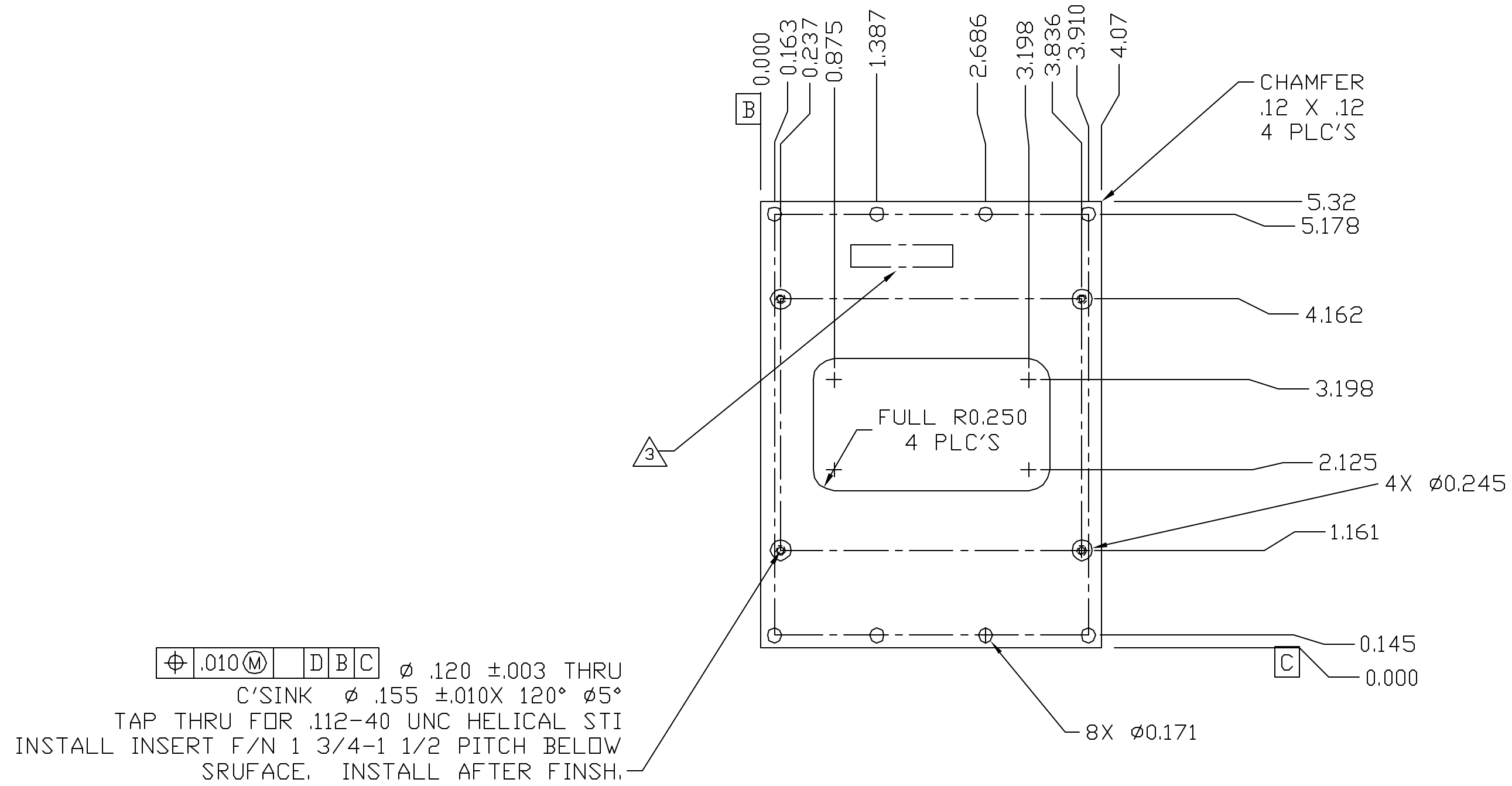
4

3

2

1

| REVISIONS | | | | | |
|-----------|-----|-----------------|---------|----------|------|
| ECO | REV | DESCRIPTION | CHECKED | APPROVED | DATE |
| B5-108 | A | INITIAL RELEASE | | | |



NOTES:

1. ALL DIMENSIONS ARE IN INCHES.
2. CLEANLINESS REQUIREMENTS PER SN-C-0005 LEVEL VC-SENSITIVE.
3. PERMANENT INK STAMP PN IN .12 HIGH CHARACTERS WITH ITEM 2 LOCATE APPROXIMATELY WHERE SHOWN. ENGRAVING IS ACCEPTABLE PRIOR TO FINISH.
4. CHEMFILM PER MIL-C5541, CLASS 3
5. INSTALL INSERTS PER MS33537 AFTER FINISH. REMOVE TANG.
6. RADIUS ALL EDGES AND CORNERS .04- .06. FILLET RADIUS .02 MAX.

| | | | | | | | | |
|---------------|---------|---|----------|----------|---|----------|-------------|---------|
| | | UNLESS OTHERWISE SPECIFIED DIMENSIONS ARE IN INCHES TOLERANCE: ANGLES +/- 1° 3 PLACE DECIMALS +/- .005 2 PLACE DECIMALS +/- .01 | NAME | DATE | Massachusetts Institute of Technology Center for Space Research VOILA | | | |
| | | | DRAWN | M. SMITH | | | | 5/17/04 |
| | | MATERIAL 6061 T6 AL. NOTE 4 FINISH | CHECKED | | INTERFACE PLATE INTERSENSE MODULE | | | |
| | | | APPROVED | | | | | |
| | | | RELEASED | | | | | |
| 85-30113 | VOILA | | | | SIZE | FSCM NO. | DWG NO. | REV |
| NEXT ASSEMBLY | USED ON | | | | C | 80230 | 85-30314.02 | A |
| APPLICATION | | | CAD FILE | | SCALE | 1:1 | SHEET | 1 OF 1 |

4

3

2

1

D

C

B

A

D

C

B

A