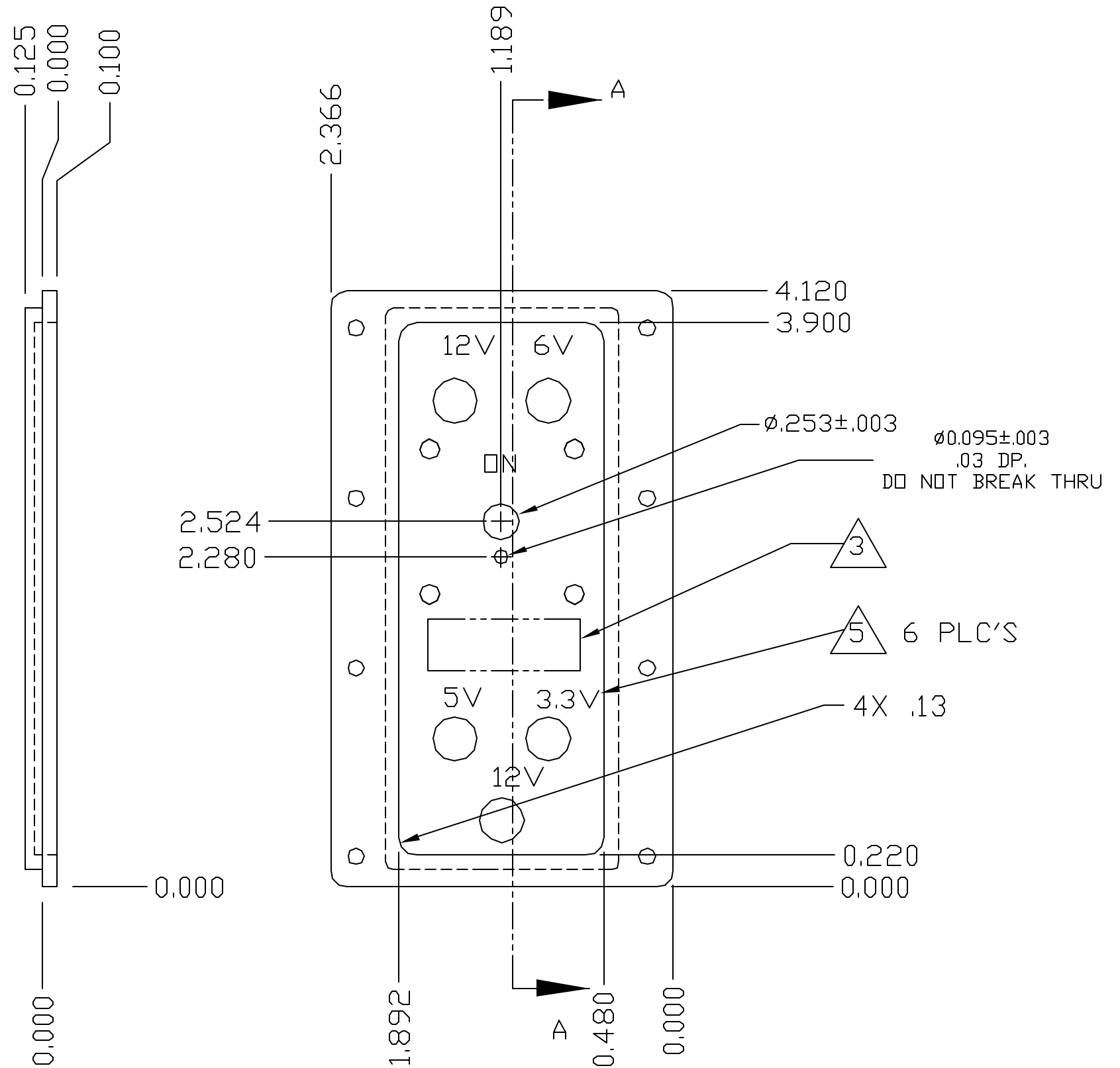
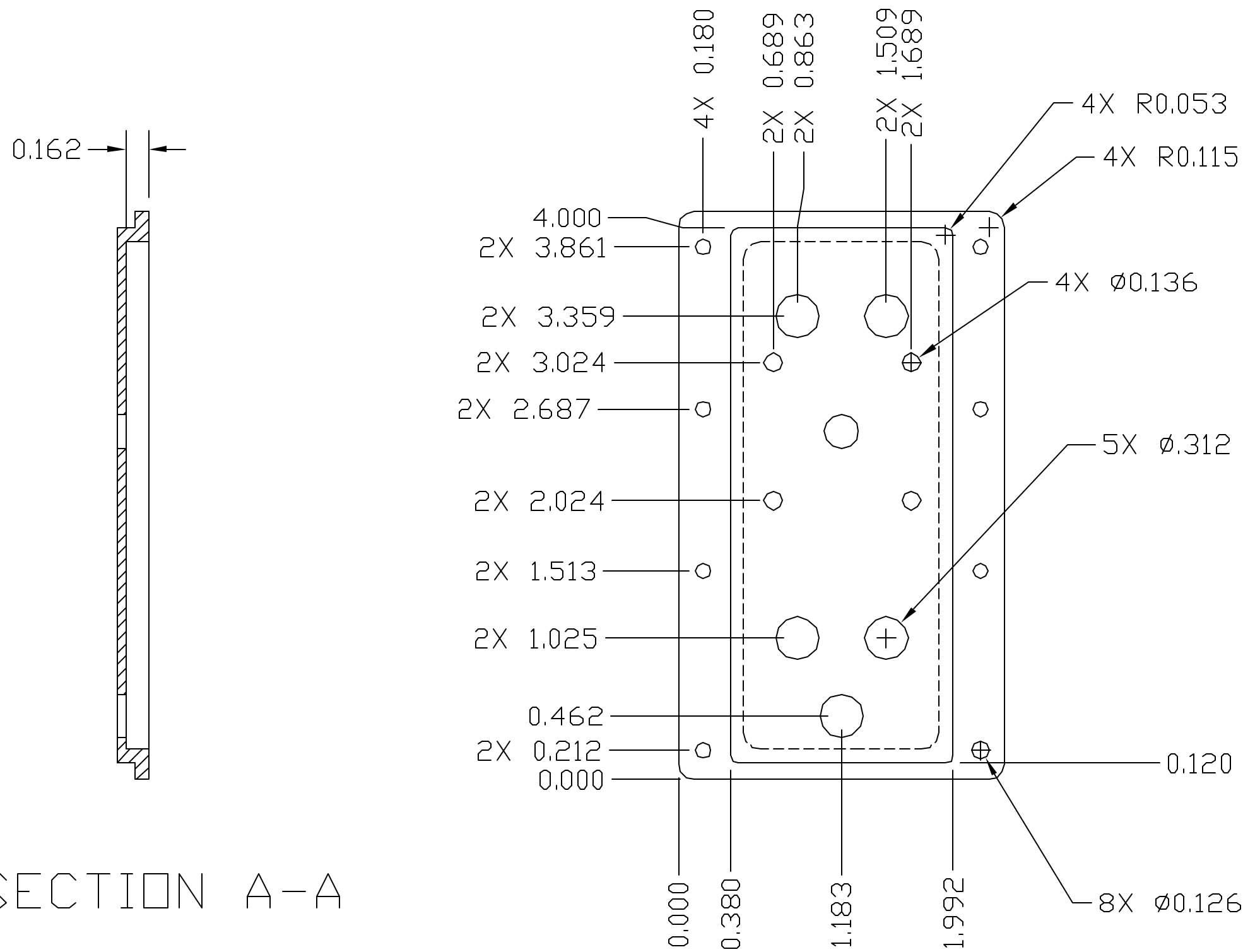


8 7 6 5 4 3 2 1

REVISIONS					
ECO	REV	DESCRIPTION	CHECKED	APPROVED	DATE
85-101	01	INITIAL RELEASE			
85-169	A	RELEASE	R. GOEKE	R. FOSTER	
85-182	B	ADD KEY HOLE			



SECTION A-A

NOTES:

- CLEANLINESS REQUIREMENTS PER SN-C-0005 LEVEL VC.
- CHEMFILM PER MIL-C5541, CLASS 3
- ENGRAVE P/N AND REV IN .12 MIN HIGH CHARACTERS. LOCATE APPROXIMATELY WHERE SHOWN.
- RADIUS ALL EDGES AND CORNERS .04- .06. FILLET RADIUS .02 MAX.
- ENGRAVE IN .12 HIGH CHARACTERS APPROX. WHERE SHOWN.

UNLESS OTHERWISE SPECIFIED DIMENSIONS ARE IN INCHES TOLERANCE: ANGLES +/- 1° 3 PLACE DECIMALS +/- .005 2 PLACE DECIMALS +/- .01		NAME	DATE	Massachusetts Institute of Technology Center for Space Research VOILA
DRAWN M. SMITH		CHECKED R. GOEKE	APPROVED R. FOSTER	
85-30300 VOILA		RELEASED D. GAGE		
MATERIAL	6061 T6 AL.	NOTE 2 FINISH		LED FRONT PANEL VOILA EE
NEXT ASSEMBLY	USED ON	APPLICATION	DWG NO. 85-30311	REV B
			SCALE 1:1	SHEET 1 OF 1

8 7 6 5 4 3 2 1