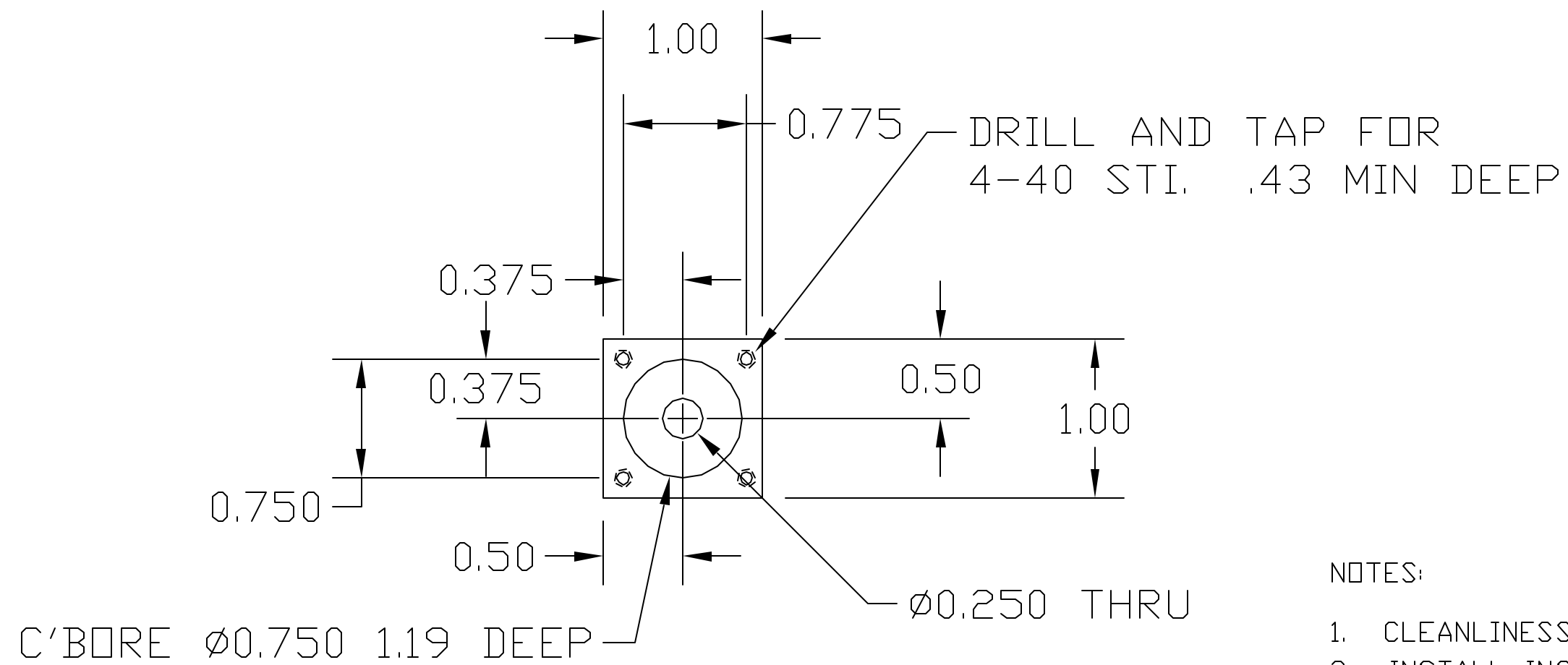


REVISIONS					
ECO	REV	DESCRIPTION	CHECKED	APPROVED	DATE
85-72	01	INITIAL RELEASE			
85-182	A	RELEASE			



NOTES:

1. CLEANLINESS REQUIREMENTS PER SN-C-0005 LEVEL GC.
2. INSTALL INSERTS PER MS33537 AFTER FINISH. REMOVE TANG.
3. BAG AND TAG WITH PART NUMBER AND REVISION.
4. RADIUS ALL EDGES AND CORNERS .04- .06.

		UNLESS OTHERWISE SPECIFIED DIMENSIONS ARE IN INCHES TOLERANCE: ANGLES +/- 1° 3 PLACE DECIMALS +/- .005 2 PLACE DECIMALS +/- .01		NAME	DATE	Massachusetts Institute of Technology Center for Space Research VOILA				
		MATERIAL TEFLON		DRAWN	M. SMITH	2/24/04	ENCLOSURE, MICROPHONE			
		FINISH		CHECKED						
85-30300	VOILA			APPROVED			SIZE	FSCM NO.	DWG NO.	REV
NEXT ASSEMBLY	USED ON			RELEASED			B	80230	85-30309	A
APPLICATION				CAD FILE			SCALE	1:1	SHEET	1 OF 1