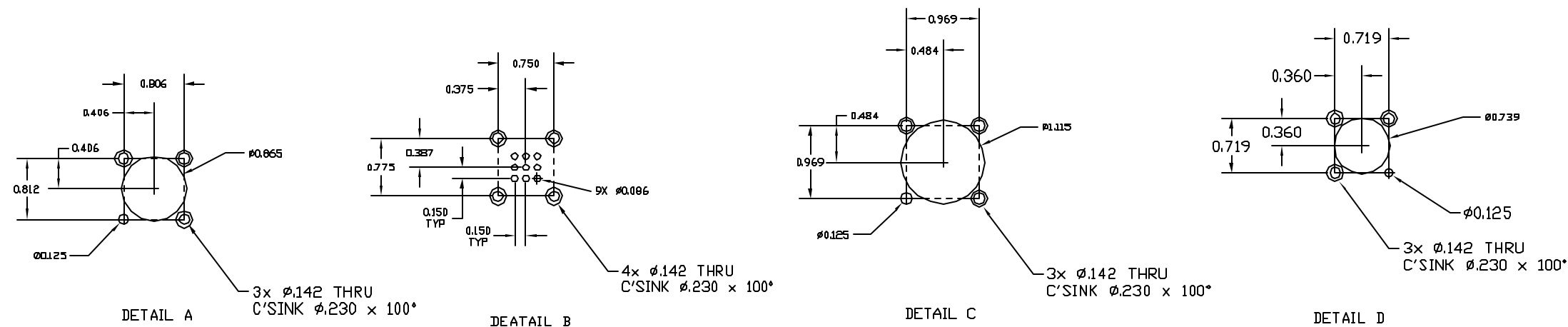
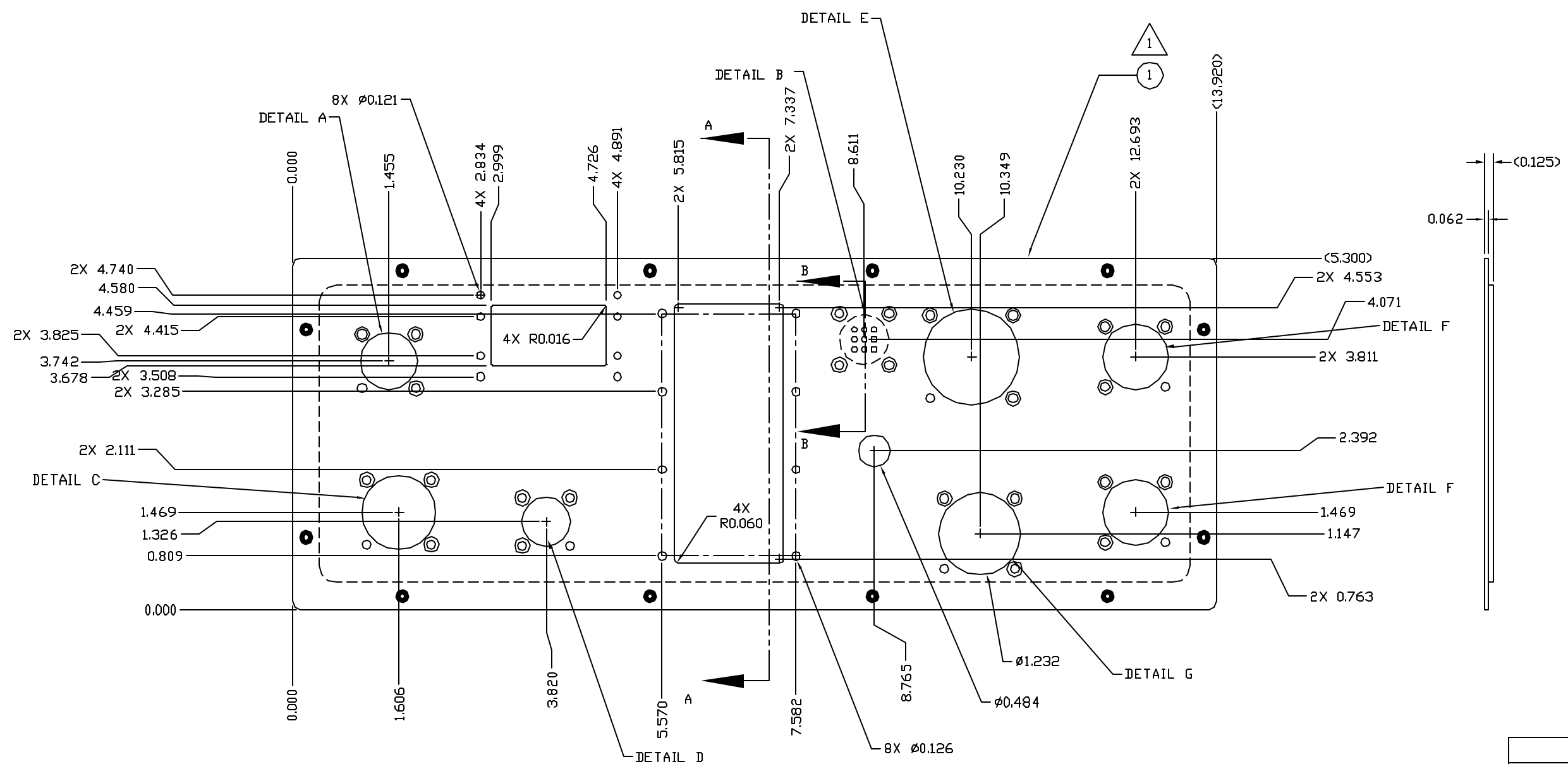
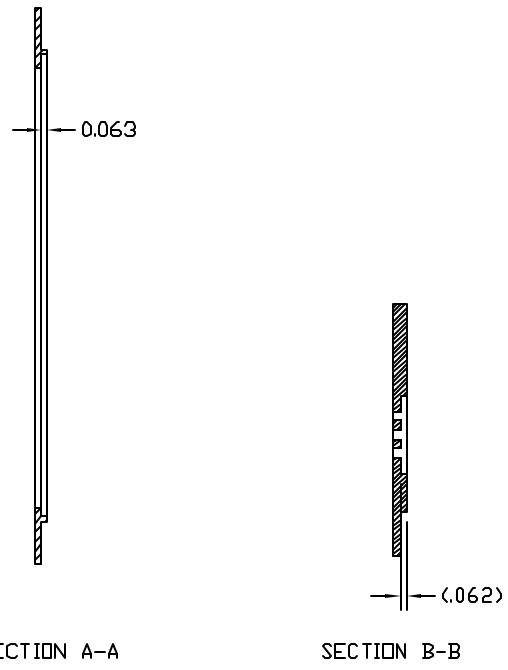
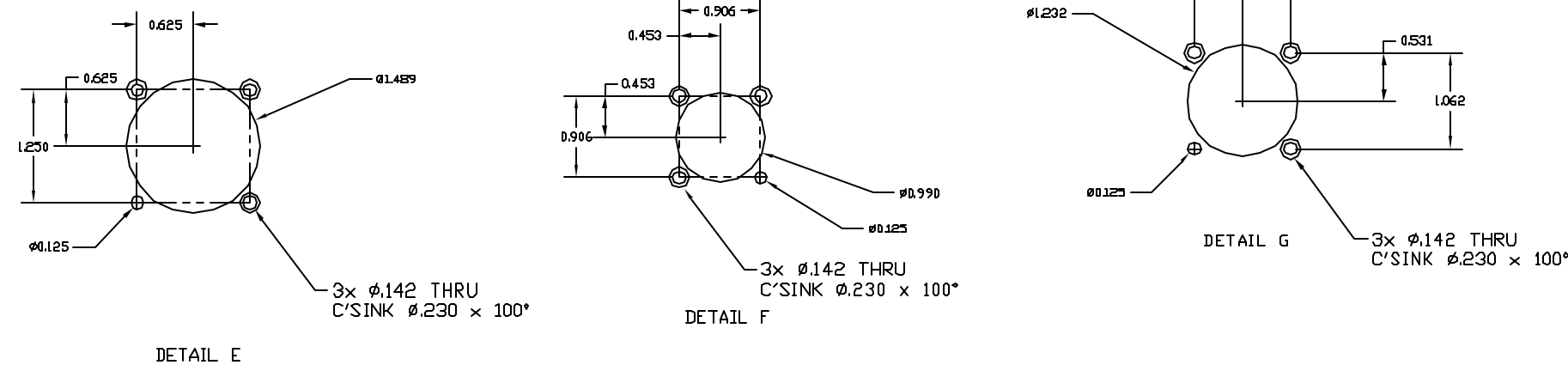


8 7 6 5 4 3 2 1

REVISIONS					
ECD	REV	DESCRIPTION	CHECKED	APPROVED	DATE
85-72	01	INITIAL RELEASE		N. SMITH	2/27/04
85-101	02	CHG CONNECTOR # TOL. ADD DSUB CUTOUTS		N. SMITH	6/02/04
85-158	A	SEE ECD	R. GÖEKE	R. FOSTER	9/30/04
85-168	B	ADD DETAIL G. MOVE DETAIL B AND #.484 HOLE			



WITH ITEM XXX

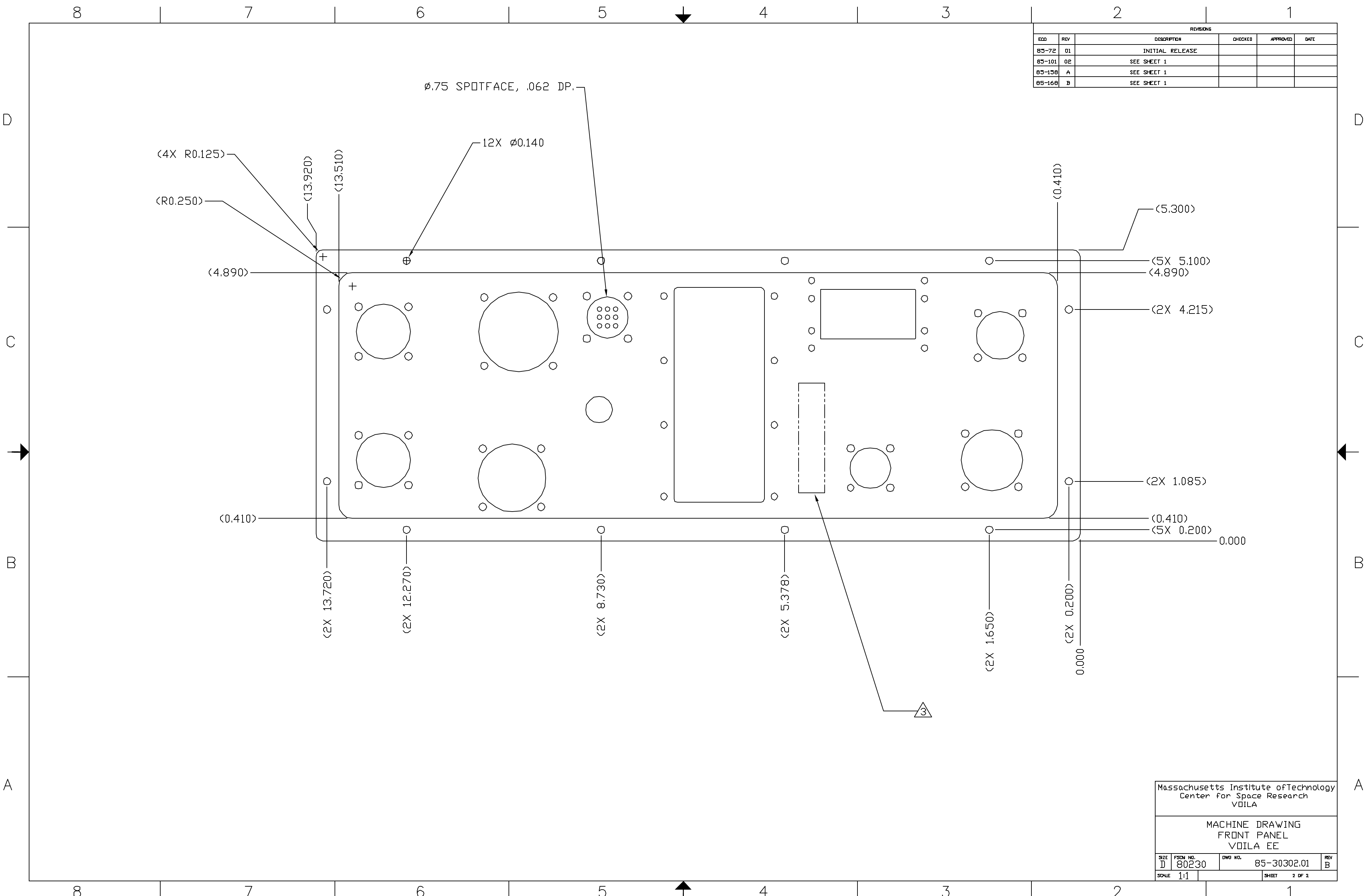


- NOTES:
1. MAKE FROM JSC SUPPLIED FRONT PANEL SDG 46119708.
 2. CLEANLINESS REQUIREMENTS PER SN-C-0005 LEVEL GC.
 3. PERMANENT INK STAMP P/N IN .12 HIGH CHARACTERS WITH ITEM 2. LOCATE APPROXIMATELY WHERE SHOWN. ENGRAVING IS ACCEPTABLE.
 4. ANODIZE PER JSC/NASA PRC-5006 TYPE II, CLASS 1.
 5. RADIUS ALL EDGES AND CORNERS .04-.06. FILLET RADIUS .02 MAX.

UNLESS OTHERWISE SPECIFIED DIMENSIONS ARE IN INCHES TOLERANCE: ANGLES +/- 1° 3 PLACE DECIMALS +/- .005 2 PLACE DECIMALS +/- .01		NAME	DATE	Massachusetts Institute of Technology Center for Space Research VOILA
MATERIAL		DRAWN	M. SMITH	
NOTE 4		CHECKED	R. GÖEKE	9/29/04
FINISH		APPROVED	R. FOSTER	9/30/04
APPLICATION		RELEASED	D. GAGE	10/19/04
85-30302	VOILA	SIZE	D	FSDM NO. 80230
NEXT ASSEMBLY	USED ON	DWG. NO.	85-30302.01	
SCALE 1:1		SHEET	1 OF 2	

8 7 6 5 4 3 2 1

REVISIONS					
ECO	REV	DESCRIPTION	CHECKED	APPROVED	DATE
85-72	01	INITIAL RELEASE			
85-101	02	SEE SHEET 1			
85-158	A	SEE SHEET 1			
85-168	B	SEE SHEET 1			



Massachusetts Institute of Technology
Center for Space Research
VOILA

MACHINE DRAWING
FRONT PANEL
VOILA EE

SIZE J	FORM NO. 80230	DWG NO. 85-30302.01	REV B
SCALE 1:1	SHEET 2 OF 2		