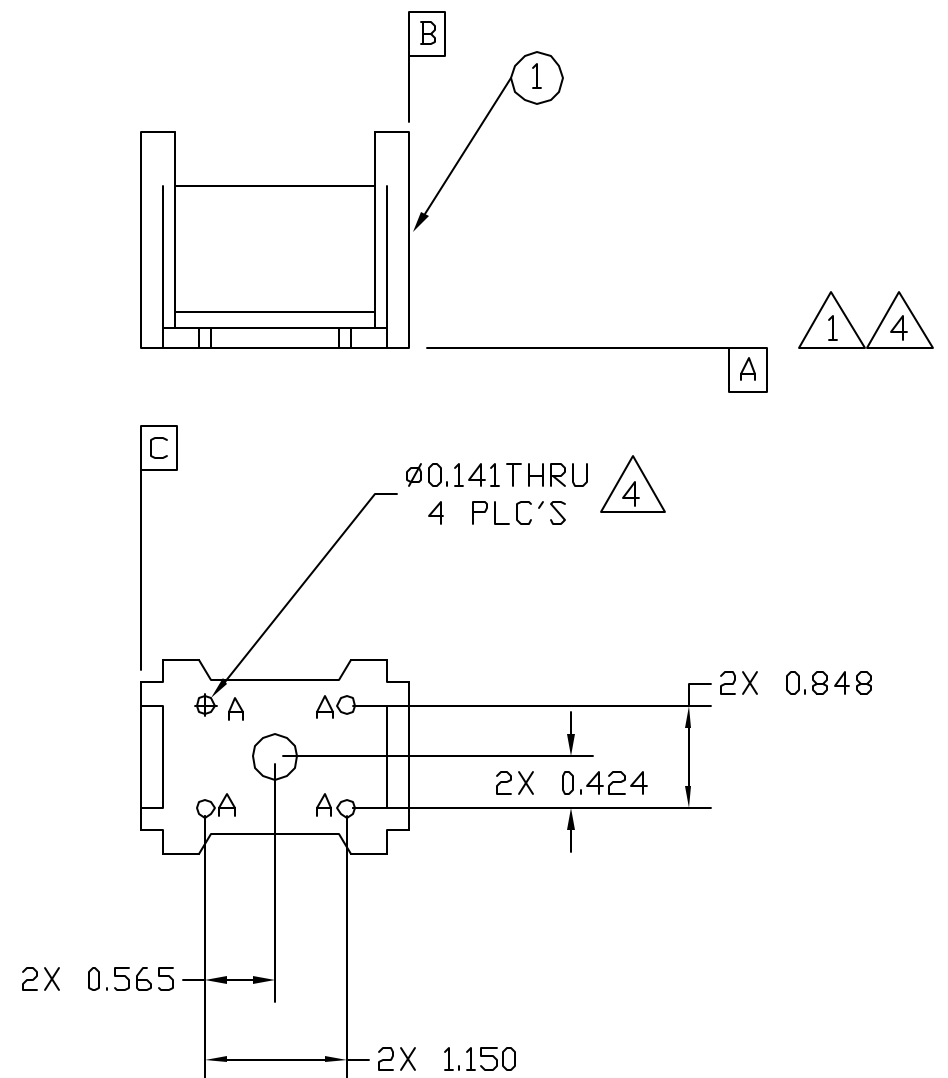


REVISIONS					
ECO	REV	DESCRIPTION	CHECKED	APPROVED	DATE
85-147	A	INITIAL RELEASE			



- NOTES:
1. MACHINE .01 FROM BOTTOM TO REMOVE POWDER COAT FINISH.
 2. CLEANLINESS REQUIREMENTS PER SN-C-0005 LEVEL VC.
 3. BAG AND TAG WITH MIT PART NUMBER, REV AND SERIAL NUMBER. SERIAL NUMBERS FOR TRAINING UNIT START WITH 100 AND FLIGHT UNITS START WITH 300.
 4. TOUCH UP MACHINED SURFACES PER MIL-C-5541, CLASS 3.

ALTERED ITEM DRAWING
 MAKE FROM MANFROTTO PART NUMBER R234.03

		UNLESS OTHERWISE SPECIFIED DIMENSIONS ARE IN INCHES TOLERANCE: ANGLES +/- 1' 3 PLACE DECIMALS +/- .005 2 PLACE DECIMALS +/- .01	NAME	DATE	Massachusetts Institute of Technology Center for Space Research VOILA			
			DRAWN	M. SMITH	ALTERED ITEM DRAWING SWIVEL MOUNT, HEAD			
		MATERIAL	CHECKED	APPROVED				
		N/A	RELEASED					
85-20100	voila	NOTE 4 FINISH			SIZE	FSCM NO.	DWC NO.	REV
NEXT ASSEMBLY	USED ON		B	80230	85-20105.01	A		
APPLICATION			CAD FILE	SCALE	1:1	SHEET		1 OF 1