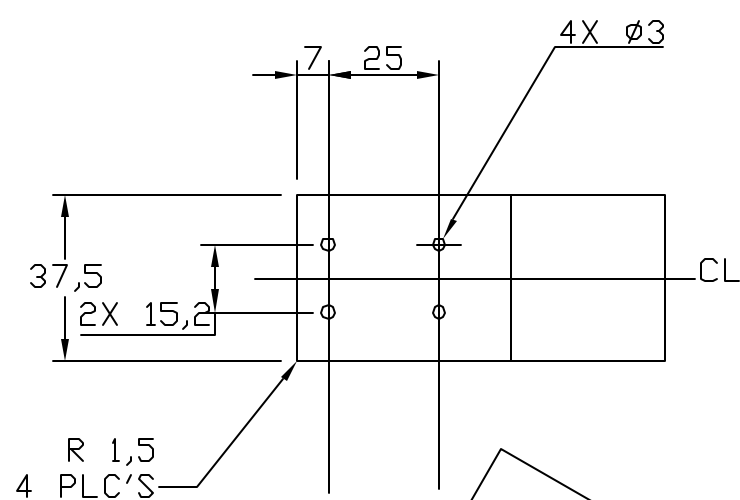
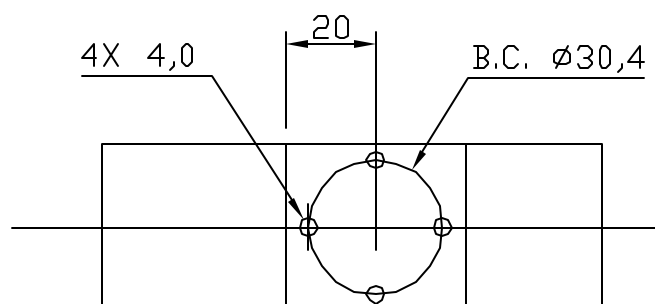


8 7 6 5 4 3 2 1

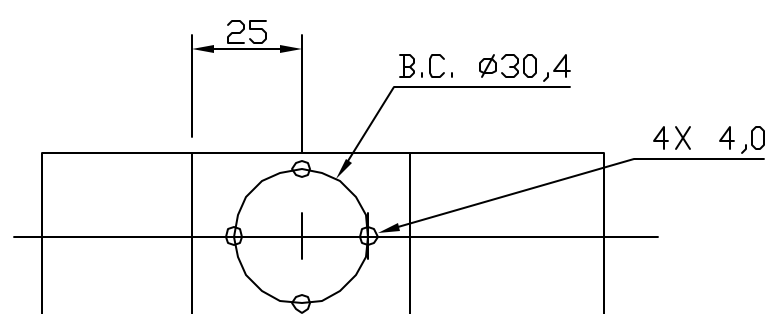
REVISIONS					
ECO	REV	DESCRIPTION	CHECKED	APPROVED	DATE
85-84	01	INITIAL RELEASE			
85-116	02	ADD 4 MTG HOLES. ADD R.06 AT CORNERS.			
85-182	A	CHG R.06 TO 1.5. CHG #4.3 HOLES TO #4.0			



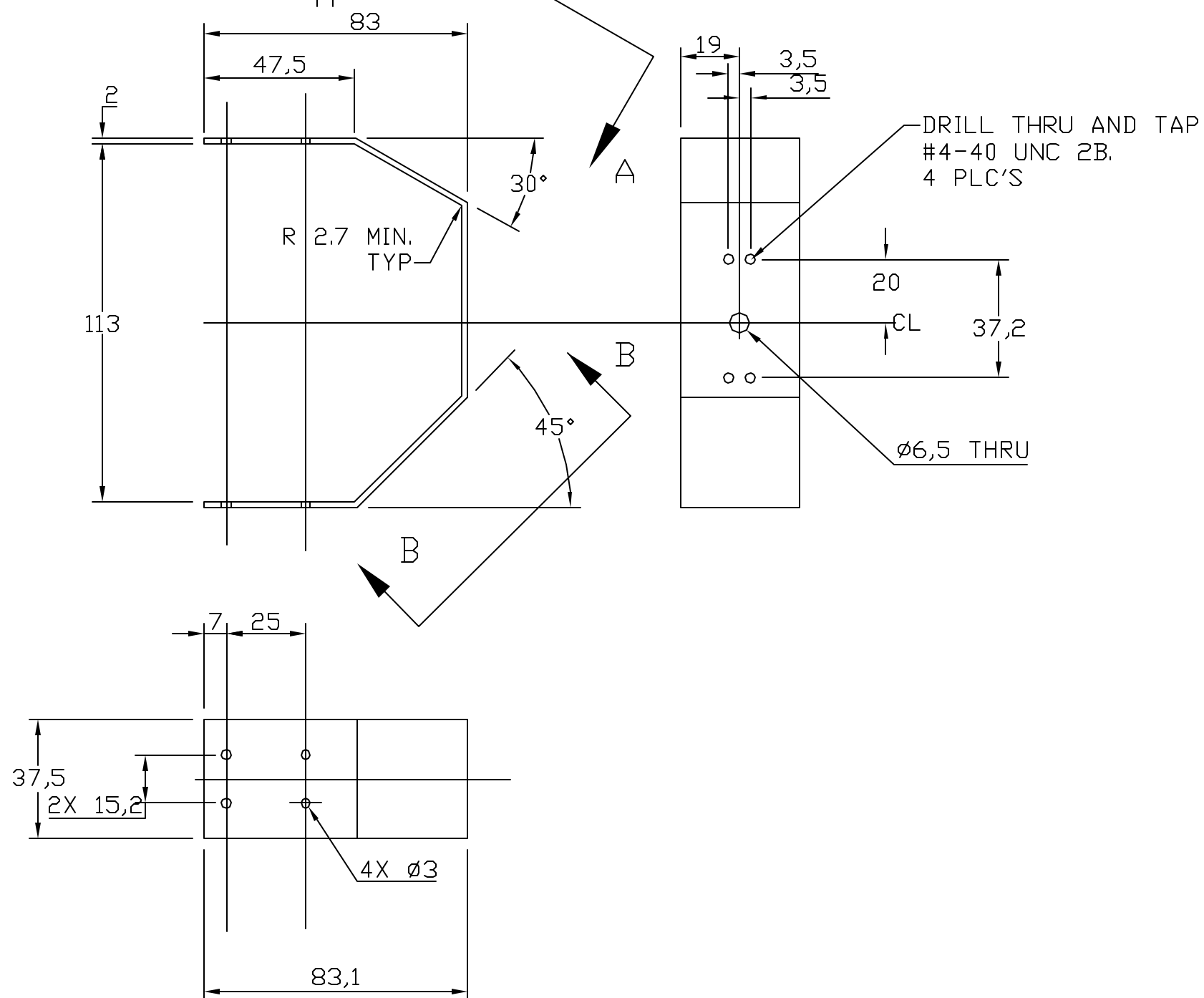
- NOTES:
1. ALL DIMENSIONS ARE IN MILLIMETERS.
 2. CLEANLINESS REQUIREMENTS PER SN-C-0005 LEVEL VC-SENSITIVE
 3. BAG AND TAG WITH PART NUMBER AND REV.
 4. PASSIVATE PER QQ-P-35
 5. DEBUR AND BREAK SHARP EDGES.



VIEW A-A
ROTATED 30°



VIEW B-B
ROTATED 45°



UNLESS OTHERWISE SPECIFIED DIMENSIONS ARE IN INCHES TOLERANCE: ANGLES +/- 1° 3 PLACE DECIMALS +/- .005 2 PLACE DECIMALS +/- .01		NAME	DATE	Massachusetts Institute of Technology Center for Space Research VOILA
DRAWN				
CHECKED		APPROVED		BRACKET, MOUNTING, TRACKER BAR
RELEASED				
85-20100	VOILA	NOTE 4 FINISH		SIZE J 80230
NEXT ASSEMBLY	USED ON	DWG NO.	85-20102	REV A
APPLICATION		DWG FILE	SCALE 1:1	SHEET 1 OF 1

8 7 6 5 4 3 2 1