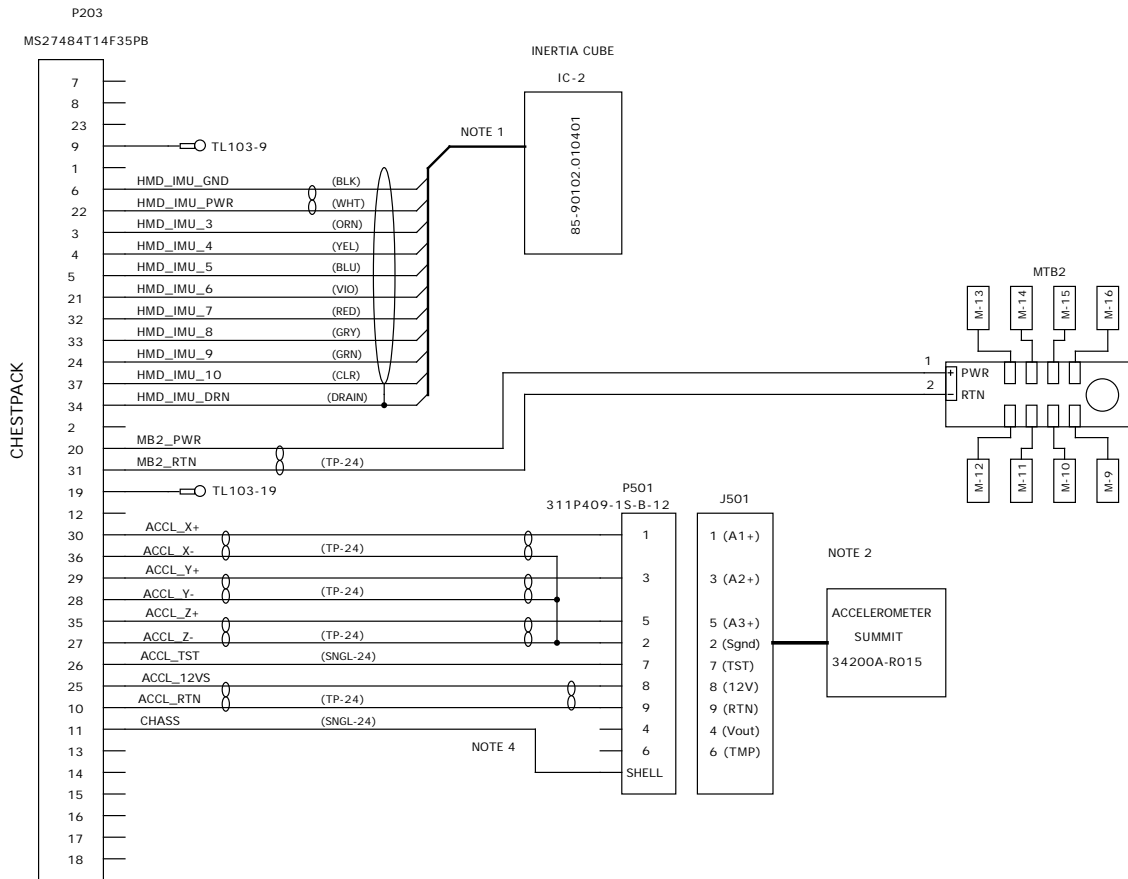


REVISIONS					
REV.	ECO NO.	DESCRIPTION	CHECKED	APPROVED	DATE
A	85-093	Initial Release	RFG	RF	5/5/04
B	85-146	MTB2 was MTB-12. Show Intersense Cube as modified assembly w/cable. Delete TB-1. P203 was MS2748T14F35PB. Show Accelerometer an an assembly w/cable.. Delete Beldon #83512 cable P103 to P501 and fabricate as shown.	RFG	RF	9/28/04



- NOTE:
- 1) Inertia Cube w/cable is assembly PN 85-90102.010401.
  - 2) Accelerometer w/cable is a COTS item, PN 34200A-R015.
  - 3) Connect terminal lugs TL103-9 and TL103-19 to Paddle chassis using SINGL-24.
  - 4) Connect P203-11 to P501 shell.

Type Code	Description
SINGL-26	Single Cond. #26 AWG
SINGL-24	Single Cond. #24 AWG
SINGL-22	Single Cond. #22 AWG
TP-24	Twisted Pair, #24 AWG
TP-22	Twisted pair, #22 AWG
TT-24	Twisted Triple, #24 AWG
TSP-24	Twisted Shield Pr. #24 AWG
TSP-22	Twisted Shield Pr. #22 AWG
TST-24	Twisted Shield Triple, #24 AWG
Coax	COAX, #24 AWG
Shld	Braid, tinned copper

		NAME	DATE	MASSACHUSETTS INSTITUTE OF TECHNOLOGY CENTER FOR SPACE RESEARCH			
		DRAWN M. Doucette	03/30/04	Schematic VOILA Paddle			
		CHECKED R. Goeke	5/5/04				
85-40500	VOILA	APPROVED R. Foster	5/5/04	SIZE	CODE IDENT NO.	DRAWING NO.	REV.
NEXT ASSEMBLY	USED ON	RELEASED D. Gage	5/5/04	A	80230	85-03020.51	B
APPLICATION				SCALE	SHEET 1 OF 1		