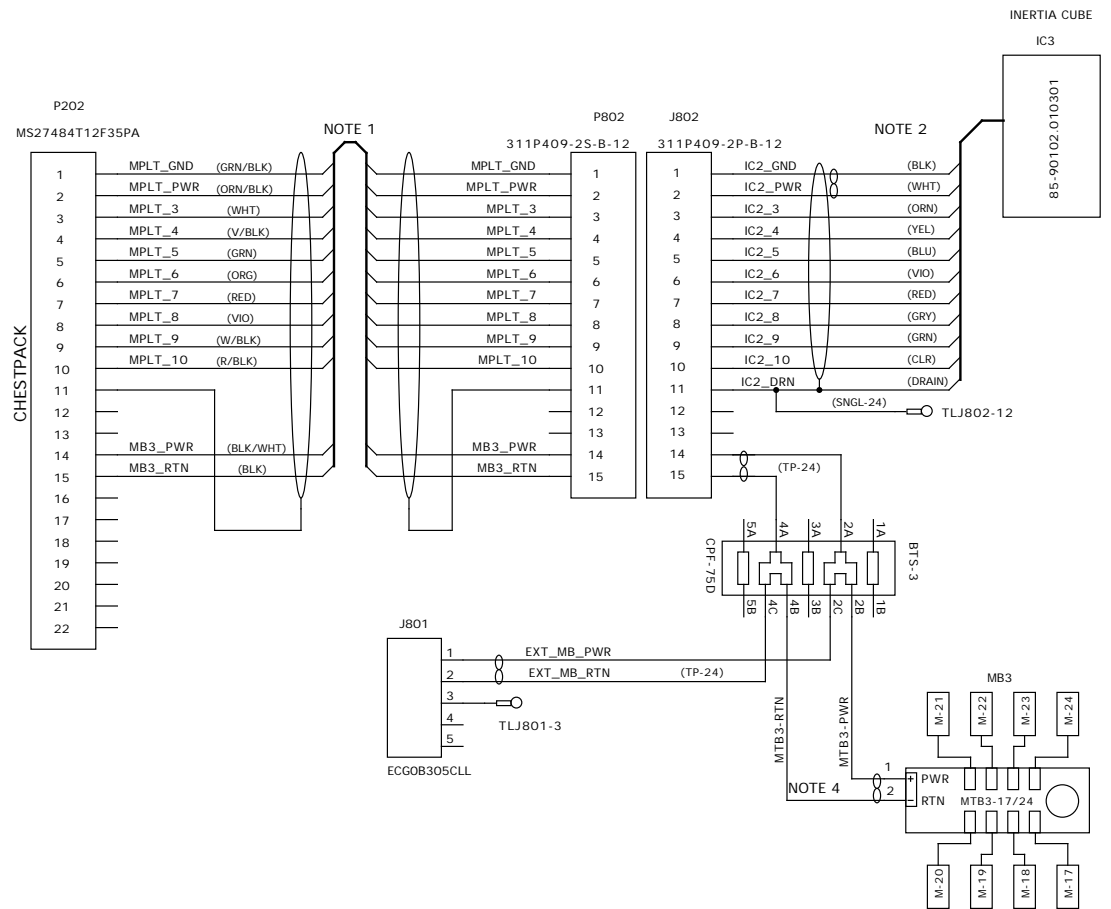


REVISIONS					
REV.	ECO NO.	DESCRIPTION	CHECKED	APPROVED	DATE
A	85-090	Initial Release	RFG	RF	4/28/04
B	85-146	P/J-802 was P/J-801. J802 was SND15MR600. Show Intersense Cube as modified assy. Marker Box power was TP-22.	RFG	RF	9/28/04
C	85-181	Use Belden 83512 cable P202-P802. Show IC3 cable color codes. BTS-3 was TB1. Move MB3 connections to BTS-3. Add NOTE 4.	RGF	RF	1/5/05



Type Code	Description
SNGL-26	Single Cond, #26 AWG
SNGL-24	Single Cond, #24 AWG
SNGL-22	Single Cond, #22 AWG
TP-24	Twisted Pair, #24 AWG
TP-22	Twisted pair, #22 AWG
TT-24	Twisted Triple, #24 AWG
TSP-24	Twisted Shield Pr, #24 AWG
TSP-22	Twisted Shield Pr, #22 AWG
TST-24	Twisted Shield Triple, #24 AWG
Coax	COAX, #24 AWG
Shld	Braid, tinned copper

NAME	DATE	MASSACHUSETTS INSTITUTE OF TECHNOLOGY CENTER FOR SPACE RESEARCH			
DRAWN M. Doucette	04/08/04	Schematic VOILA Marker Plate			
CHECKED R. Goeke	4/22/04				
85-40900	VOILA	APPROVED R. Foster	5/2/04		
NEXT ASSEMBLY	USED ON	RELEASED D. Gage	5/3/04	SIZE A	CODE IDENT NO. 80230
APPLICATION				DRAWING NO. 85-0320.42	REV. C
				SCALE	SHEET 1 OF 1