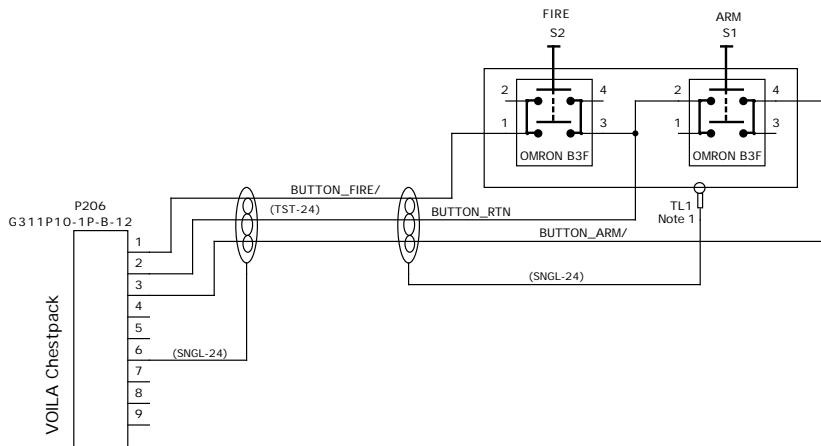


REVISIONS					
REV.	ECO NO.	DESCRIPTION	CHECKED	APPROVED	DATE
A	85-090	Initial Release	RFG	RF	4/28/04
B	85-181	Move TST-24 shield from P206-5 to P206-6.	RGF	RF	1/5/05



NOTE:
1) Attach terminal lug TL1 to Hand Switch body.

Type Code	Description
SNGL-26	Single Cond, #26 AWG
SNGL-24	Single Cond, #24 AWG
SNGL-22	Single Cond, #22 AWG
TP-24	Twisted Pair, #24 AWG
TP-22	Twisted pair, #22 AWG
TT-24	Twisted Triple, #24 AWG
TSP-24	Twisted Shield Pr, #24 AWG
TSP-22	Twisted Shield Pr, #22 AWG
TST-24	Twisted Shield Triple, #24 AWG
Coax	COAX, #24 AWG
Shld	Braid, tinned copper

		NAME	DATE	MASSACHUSETTS INSTITUTE OF TECHNOLOGY CENTER FOR SPACE RESEARCH			
		DRAWN M. Doucette	03/31/03	Schematic			
		CHECKED R. Goette	4/22/04				
85-40408		Voila	APPROVED R. Foster	4/29/04	VOILA Hand Switch		
NEXT ASSEMBLY	USED ON	RELEASED D. Gage	5/3/04				
APPLICATION				SIZE A	CODE IDENT NO. 80230	DRAWING NO. 85-03020.41	REV. B
				SCALE	SHEET 1 OF 1		