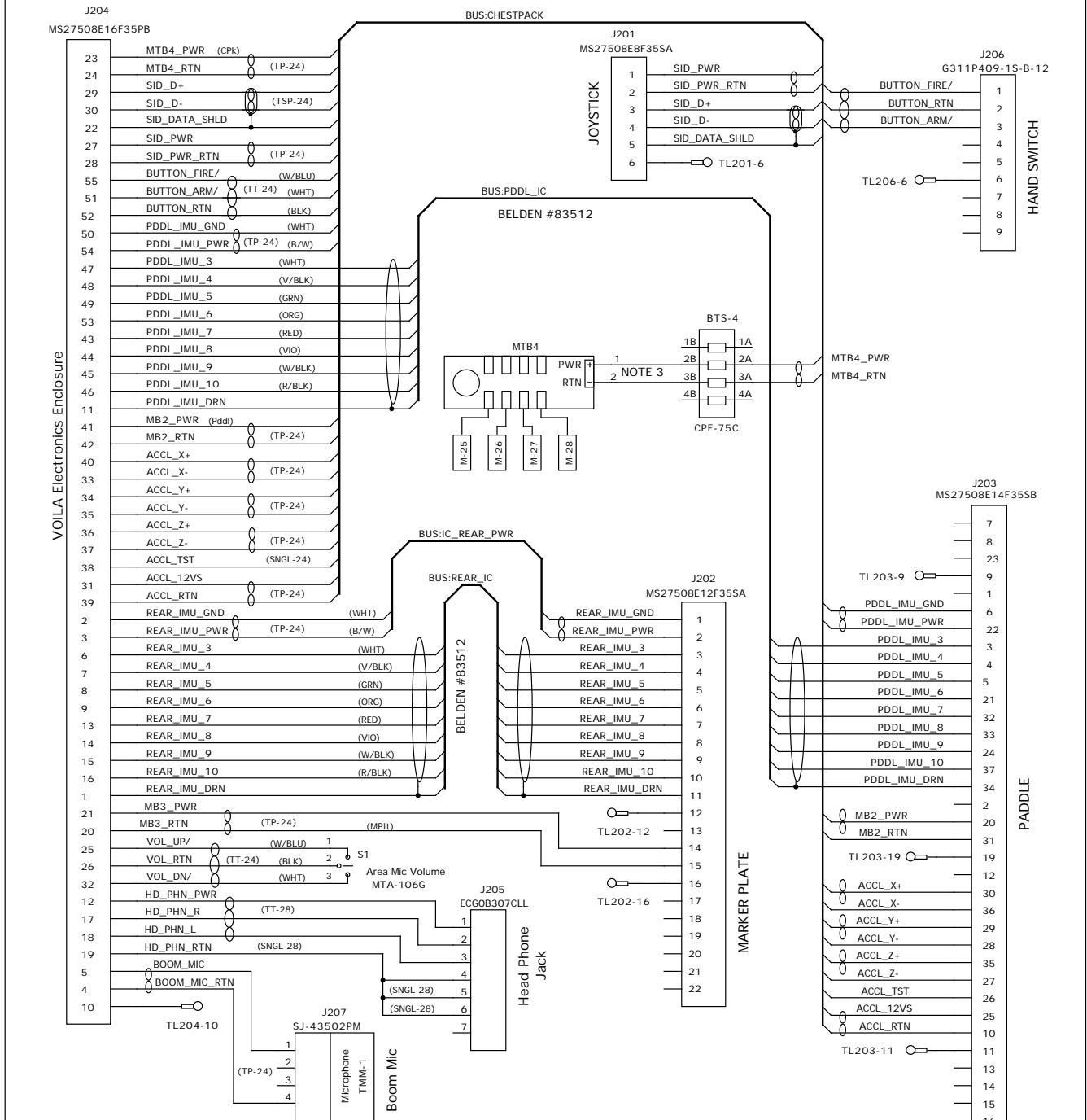


C	85-180	J203-24 was PDDL_IMU_8. Head Phone conductors were 24AWG. ACCL TP symbols paired incorrectly. IMU busses are Belden 83512. Move TL206-5 to J206-6 & rename TL206-6. Add BTS-4. Add Note 3.	RGF	RF	1/5/05
---	--------	--	-----	----	--------

REVISIONS					
REV.	ECO NO.	DESCRIPTION	CHECKED	APPROVED	DATE
A	85-090	Initial Release	RGF	RF	4/28/04
B	85-146	Add Head Phone POWER, MkrBox power was TP22. J205 is LEMO ECG0B307C11. Fix J206 PN. Paddle & Rear IC buses are in-house fab. Add chassis GND to J202-16 & 12.	RGF	RF	9/28/04



Type Code	Description
SNGL-28	Single Cond, #28 AWG
SNGL-26	Single Cond, #26 AWG
SNGL-24	Single Cond, #24 AWG
SNGL-22	Single Cond, #22 AWG
TP-24	Twisted Pair, #24 AWG
TP-22	Twisted pair, #22 AWG
TT-24	Twisted Triple, #24 AWG
TT-28	Twisted Triple, #28 AWG
TSP-24	Twisted Shield Pr, #24 AWG
TSP-22	Twisted Shield Pr, #22 AWG
TST-24	Twisted Shield Triple, #24 AWG
Coax	COAX, #24 AWG
Shld	Braid, tinned copper

- NOTE:
- 1) Use SNGL-24 on all terminal lug & shield pigtailed.
 - 2) All terminal lugs are fastened to chassis.
 - 3) Vendor supplied cable. Larger pin is "RTN".

		NAME	DATE	MASSACHUSETTS INSTITUTE OF TECHNOLOGY CENTER FOR SPACE RESEARCH				
		DRAWN M. Doucette	03/30/04	Schematic VOILA Chestpack				
		CHECKED R.Goette	4/22/04					
85-40400		VOILA	APPROVED R.Foster	2/28/04				
NEXT ASSEMBLY		USED ON	RELEASED D.Gage	5/03/04	SIZE A	CODE IDENT NO. 80230	DRAWING NO. 85-03020.40	REV. C
APPLICATION					SCALE	SHEET 1 OF 1		