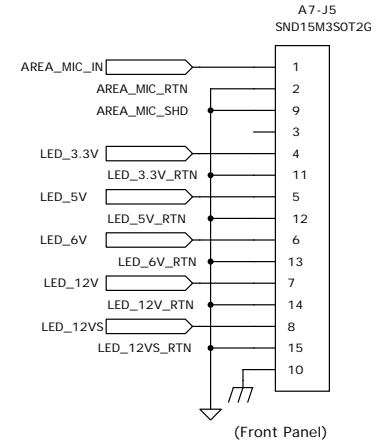
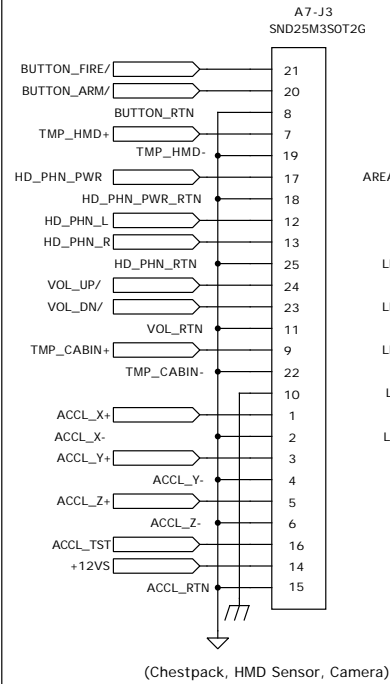
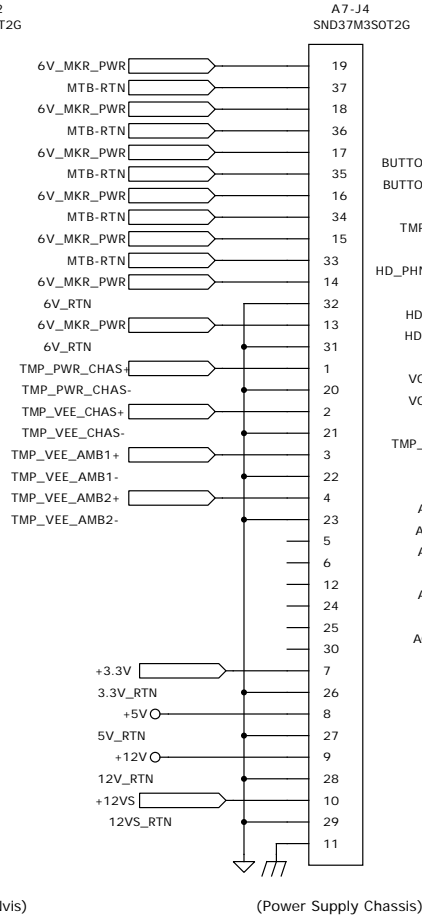
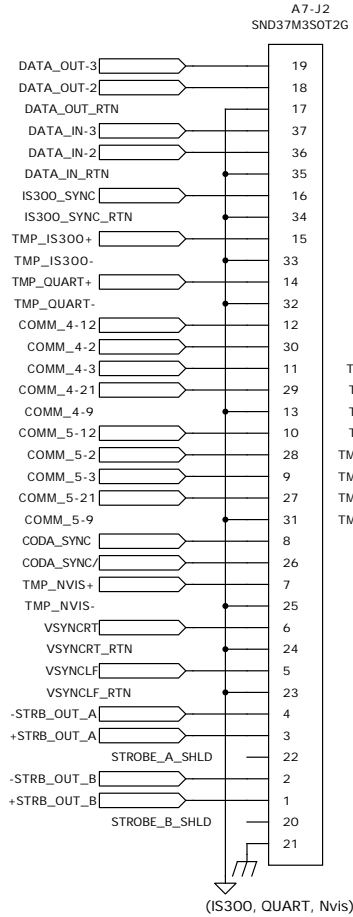
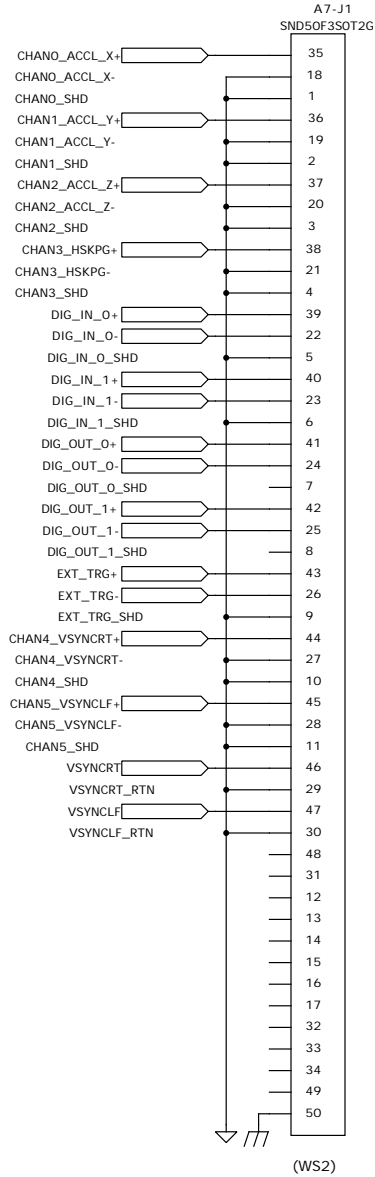


REVISIONS					
REV.	ECO NO.	DESCRIPTION	CHECKED	APPROVED	DATE
A	85-095	Initial release.	RFG	RF	5/4/04
B	85-114	Correct power inputs to A7-J4, add Head Phone power/rtn A7-J3,17/18. 6V_RTN A7-J4,32/31 was 6V_MKR_RTN. Move Accelerometer power to 12V switched.	RFG	RF	7/7/04
C	85-176	CHASSIS on A7-J2,21 A7-J3,10 A7-J5-10.	RFG	RF	11/4/04



		NAME	DATE	MASSACHUSETTS INSTITUTE OF TECHNOLOGY CENTER FOR SPACE RESEARCH			
		DRAWN M. Doucette	03/18/04	Schematic VOILA Electronics			
		CHECKED RFG	4/28/04				
		APPROVED R. Foster	5/2/04	Connector Interface			
		RELEASED D. Gage	5/5/04				
85-30100	VOILA			SIZE	CODE IDENT NO.	DRAWING NO.	REV.
NEXT ASSEMBLY	USED ON			A	80230	85-03020.2407	C
APPLICATION				SCALE	SHEET 1 OF 1		