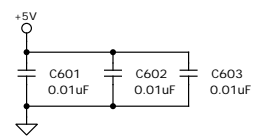
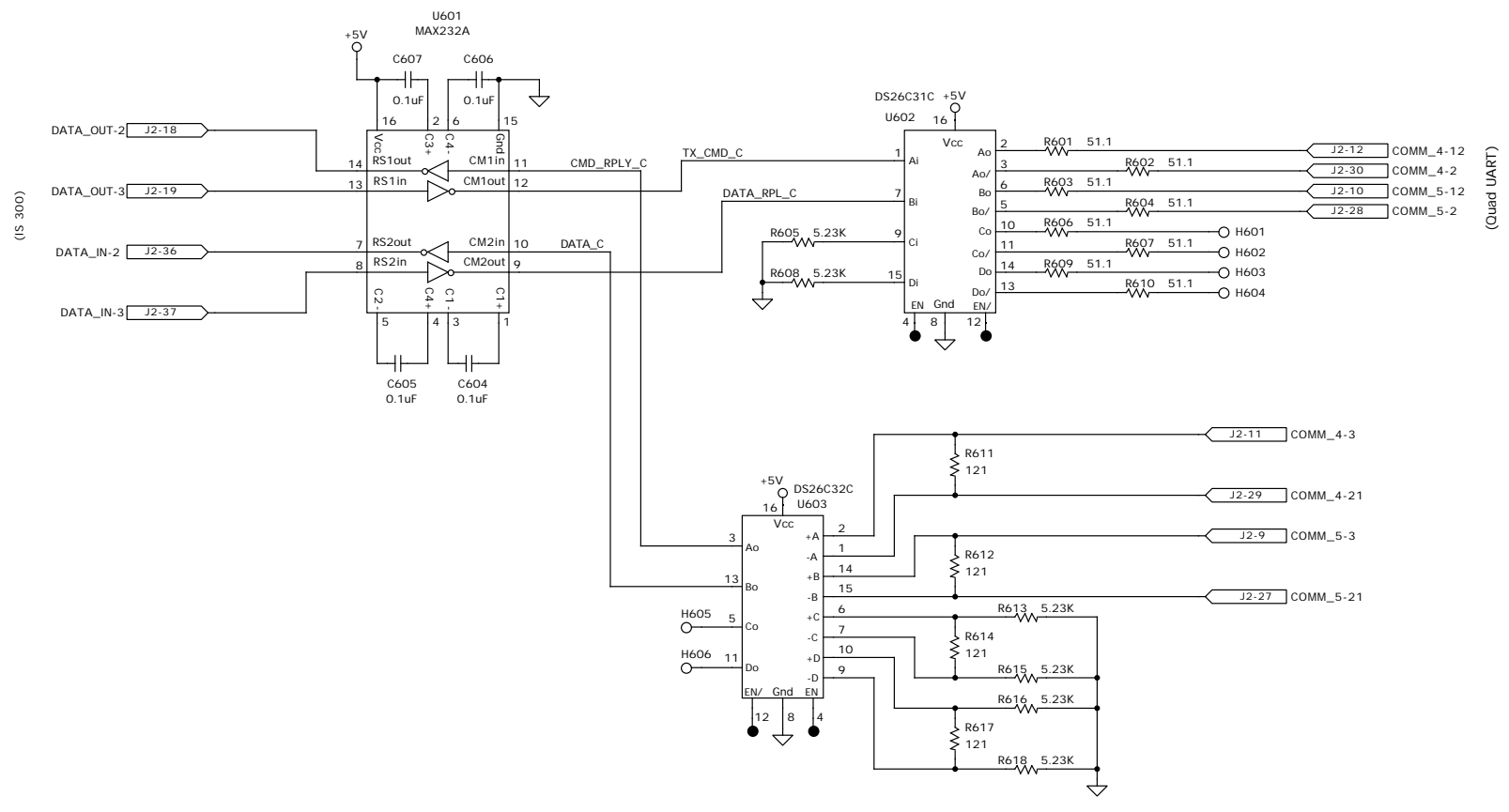


REVISIONS					
REV	ECO NO	DESCRIPTION	CHECKED	APPROVED	DATE
A	85-095	Initial release.	RFG	RF	5/4/04
B	85-111	Assorted R value changes to in-stock values.	RFG	RF	7/07/04
C	85-130	Replace U601 with MAX232A & add C604-C607.	RFG	RF	9/28/04



		NAME	DATE	MASSACHUSETTS INSTITUTE OF TECHNOLOGY CENTER FOR SPACE RESEARCH				
		DRAWN	M. Doucette	03/18/04	Schematic VOILA Electronics RS232-RS422 Converter			
		CHECKED	RFG	4/28/04				
85-30100	VOILA	APPROVED	R. Foster	5/2/04				
NEXT ASSEMBLY	USED ON	RELEASED	D. Gage	5/5/04	SIZE	CODE IDENT NO.	DRAWING NO.	REV.
APPLICATION					A	80230	85-03020.2406	C
					SCALE	SHEET 1 OF 1		