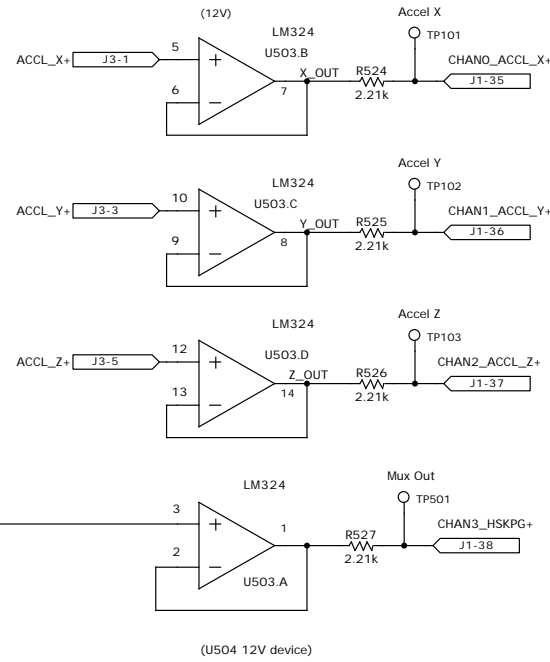
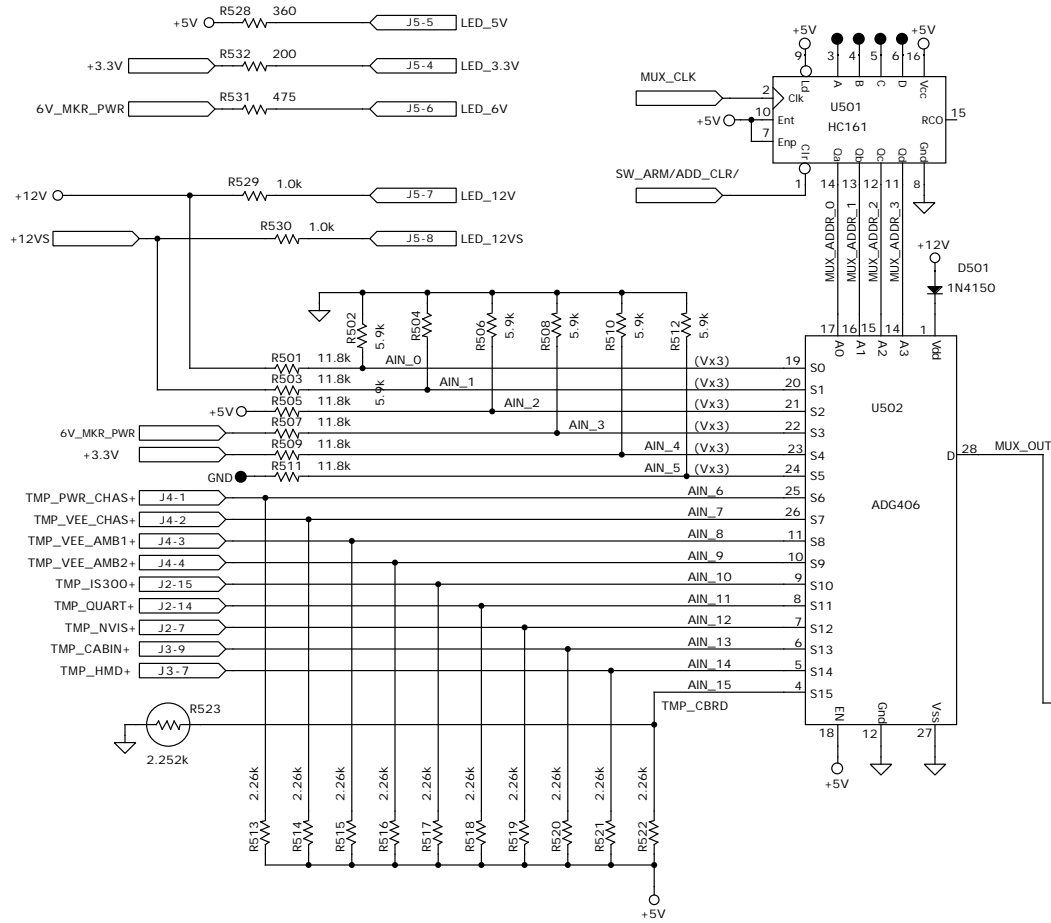
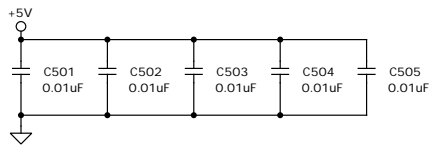


REVISIONS					
REV.	ECO NO.	DESCRIPTION	CHECKED	APPROVED	DATE
A	85-095	Initial release.	RFG	RF	5/4/04
B	85-111	ACCL hskgn was U202 on Sheet 2. Re-lable "R" design. Assorted R value changes to in-stock values. Ground spare voltage input, R511.	RFG	RF	7/07/04
C	85-178	Install D501 in U502 Vdd input. "Next Assembly" was 85-30100.	RGF	RF	1/5/05



NON-STANDARD VCC DEVICES			
Device	VCC/Pin	GND	VSS
U502	12V/1	12, 27	
U503	12V/4	11	



		NAME	DATE	MASSACHUSETTS INSTITUTE OF TECHNOLOGY CENTER FOR SPACE RESEARCH				
		DRAWN M. Doucette	03/18/04	Schematic VOILA Electronics Analog Multiplexer				
		CHECKED RFG	4/28/04					
85-30324		VOILA	APPROVED R. Foster	5/2/04	SIZE	CODE IDENT NO.	DRAWING NO.	REV.
NEXT ASSEMBLY		USED ON	RELEASED D. Gage	5/5/04	A	80230	85-03020.2405	C
APPLICATION					SCALE	SHEET 1 OF 1		