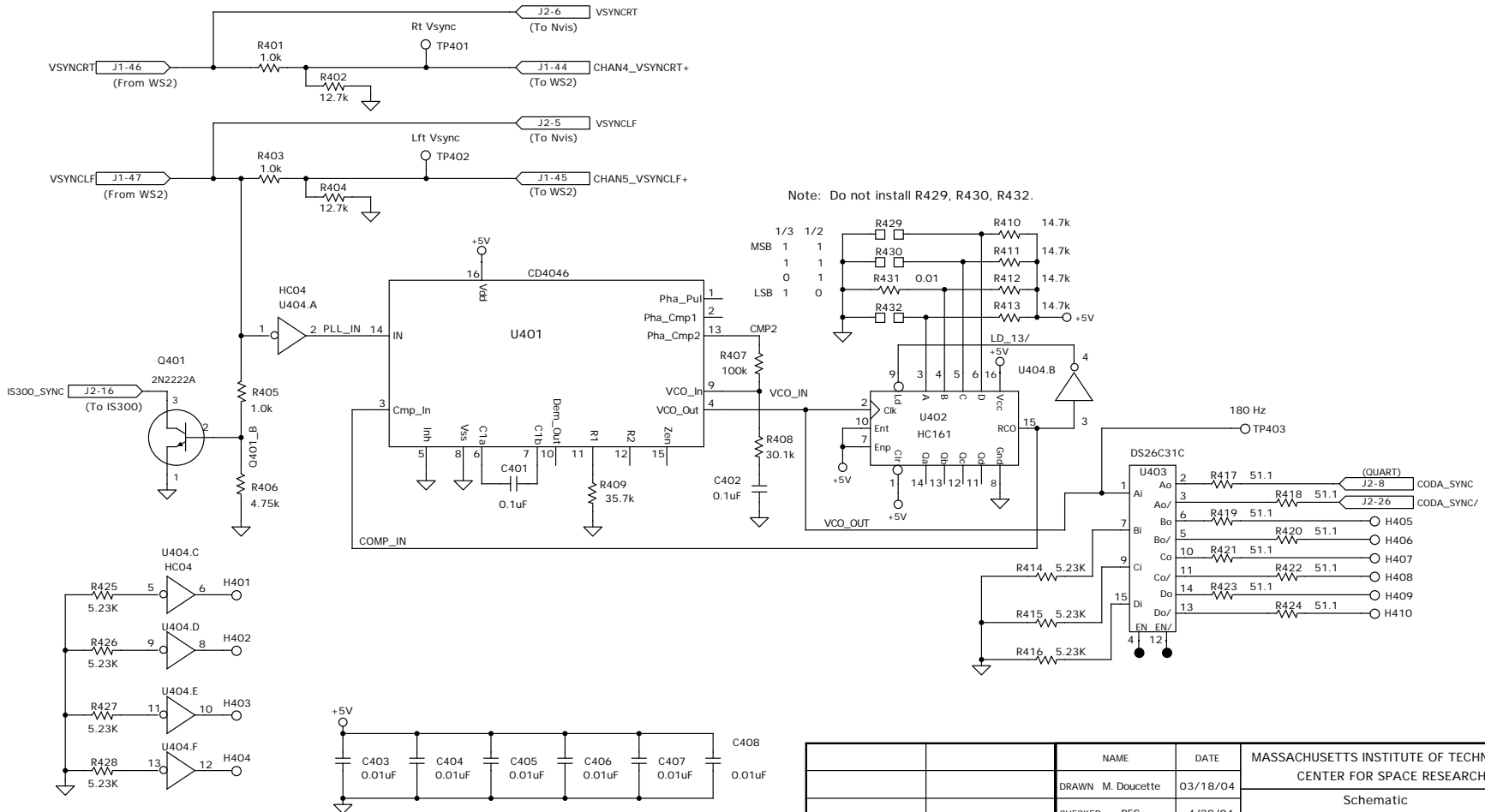


REVISIONS						
REV.	ECO NO.	DESCRIPTION	CHECKED	APPROVED	DATE	
A	85-095	Initial release.	RFG	RF	5/4/04	
B	85-111	Assorted R value changes to in-stock values. Replace U401, 74HC7046 with CD4046.	RFG	RF	7/07/04	
C	85-178	R429, R430, R432 were 0.01, "Do Not Install". "Next Assembly" was 85-30100.	RGF	RF	1/5/05	



NAME	DATE	MASSACHUSETTS INSTITUTE OF TECHNOLOGY CENTER FOR SPACE RESEARCH					
DRAWN M. Doucette	03/18/04	Schematic VIOLA Electronics 60/180 Hz Sync					
CHECKED RFG	4/28/04						
85-30324	VOILA	APPROVED R. Foster	5/2/04	SIZE A	CODE IDENT NO. 80230	DRAWING NO. 85-03020.2404	REV. C
NEXT ASSEMBLY	USED ON	RELEASED D. Gage	5/5/04	SCALE		SHEET 1 OF 1	
APPLICATION							