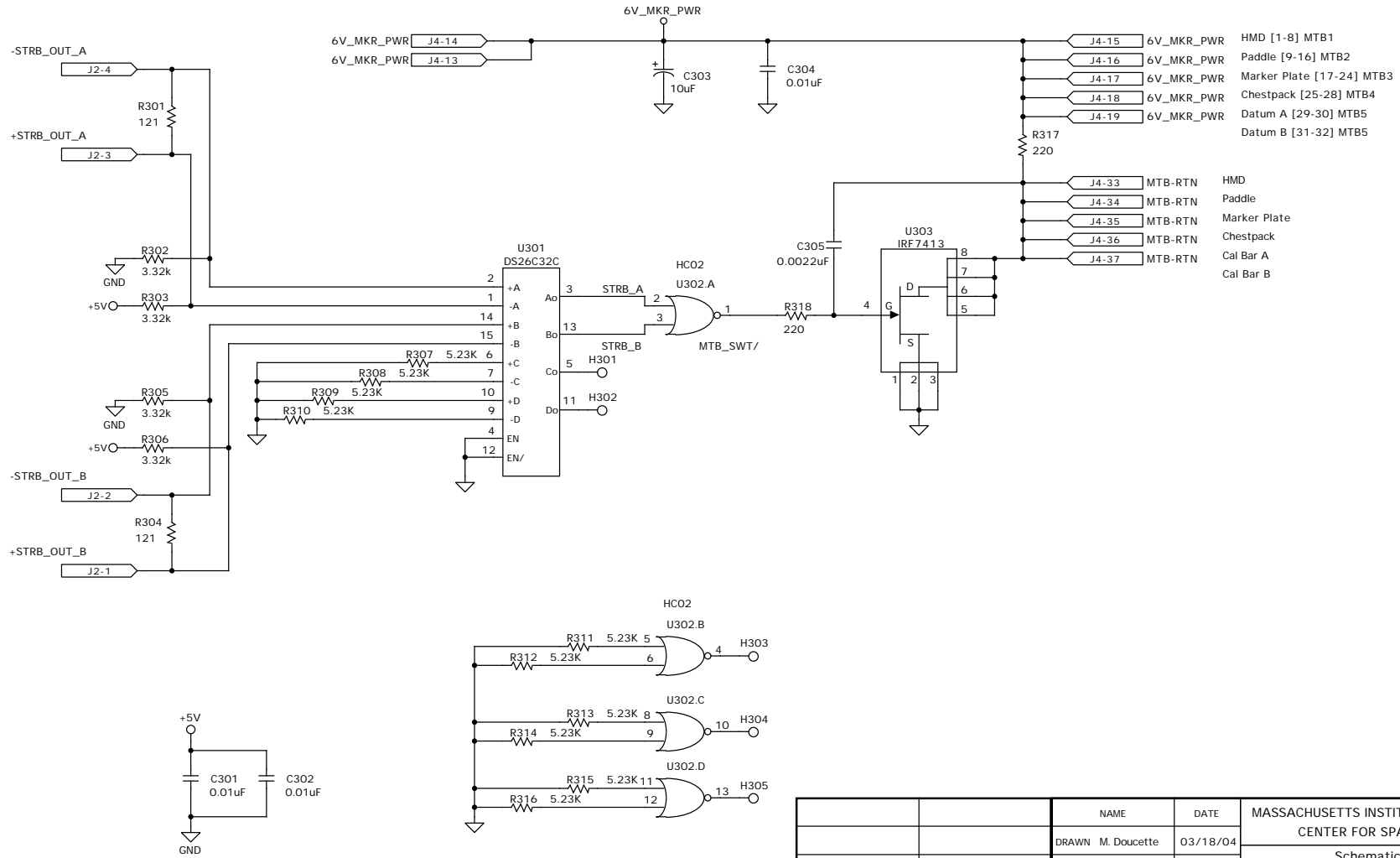


REVISIONS					
REV.	ECO NO.	DESCRIPTION	CHECKED	APPROVED	DATE
A	85-095	Initial release.	RFG	RF	5/4/04
B	85-111	xSTRB_OUT_x were xSTROBE_OUTx. Assorted R value changes to in-stock values. Delete "6V_MKR_RTN" designations.			



		NAME	DATE	MASSACHUSETTS INSTITUTE OF TECHNOLOGY CENTER FOR SPACE RESEARCH			
		DRAWN M. Doucette	03/18/04	Schematic VOILA Electronics Marker Switch			
		CHECKED RFG	4/28/04				
85-30100		VOILA	APPROVED R. Foster				
NEXT ASSEMBLY	USED ON	RELEASED D. Gage	5/5/04	SIZE A	CODE IDENT NO. 80230	DRAWING NO. 85-03020.2403	REV. B
APPLICATION				SCALE		SHEET 1 OF 1	