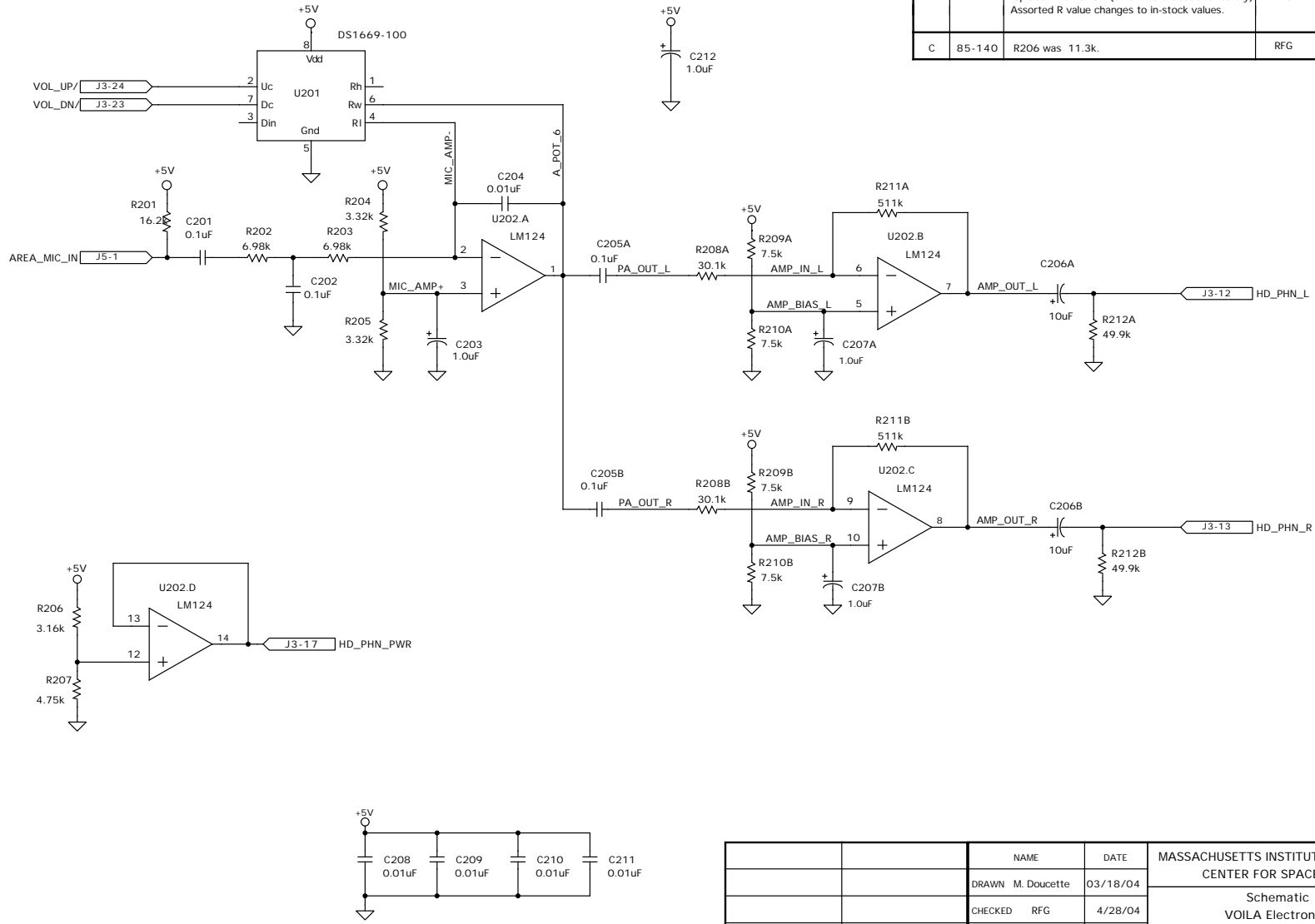


REVISIONS					
REV	ECO NO	DESCRIPTION	CHECKED	APPROVED	DATE
A	85-095	Initial release.	RFG	RF	5/4/04
B	85-111	Move ACCL hskpg to U504 on Sheet 5. Delete R206, R207, U203 (& assoc. cir.) and replace with U202 (LM324's & assoc. circuitry) and assorted R value changes to in-stock values.	RFG	RF	7/07/04
C	85-140	R206 was 11.3k.	RFG	RF	8/30/04



		NAME	DATE	MASSACHUSETTS INSTITUTE OF TECHNOLOGY CENTER FOR SPACE RESEARCH			
		DRAWN M. Doucette	03/18/04	Schematic VOILA Electronics Area Mic Amp & Accelerometer Buffers			
		CHECKED RFG	4/28/04				
85-30100	VOILA	APPROVED R. Foster	5/2/04	SIZE	CODE IDENT NO.	DRAWING NO.	REV.
NEXT ASSEMBLY	USED ON	RELEASED D. Gage	5/5/04	A	80230	85-03020.2402	C
APPLICATION				SCALE	SHEET 1 OF 1		