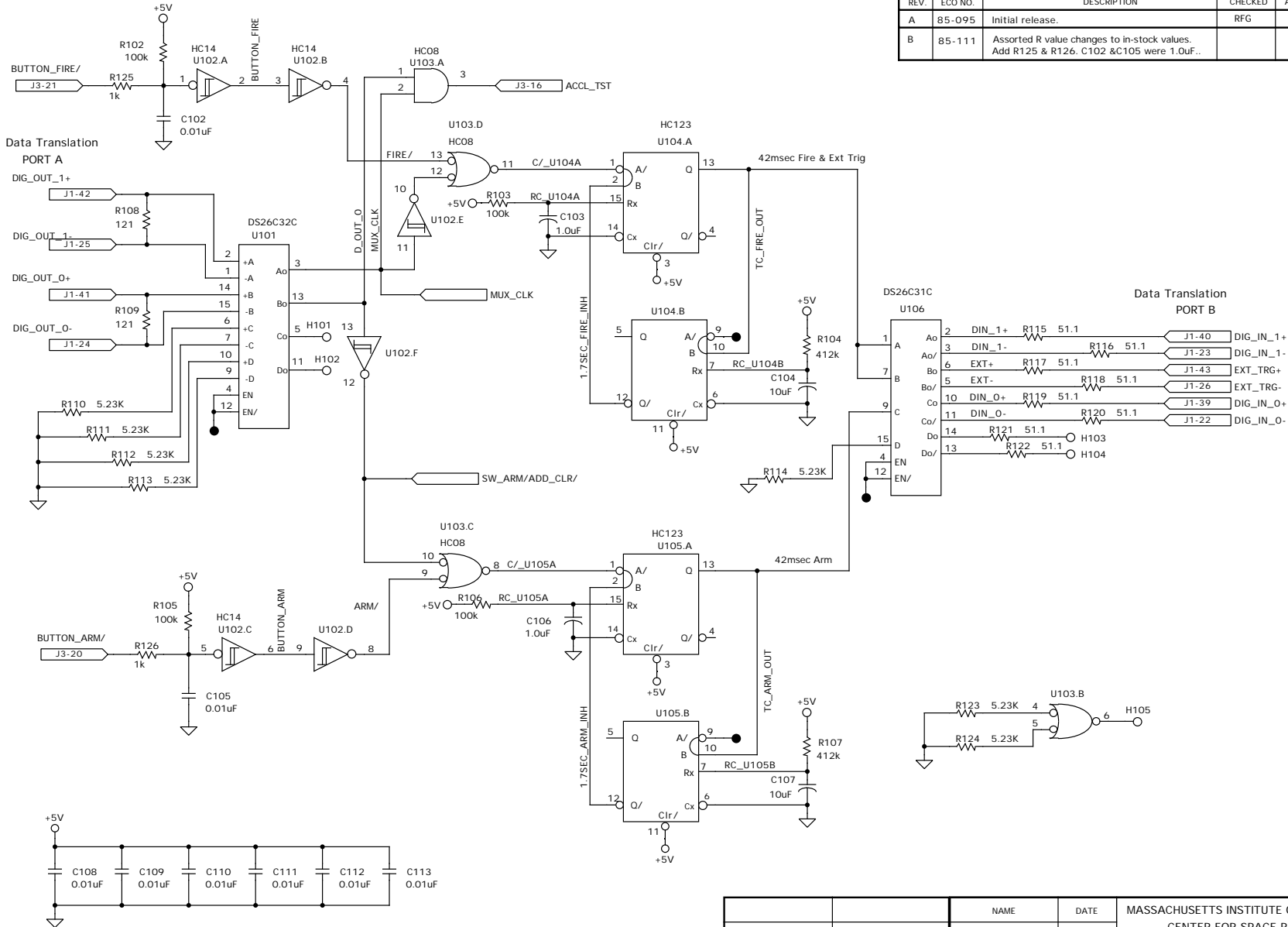


REVISIONS					
REV.	ECO NO.	DESCRIPTION	CHECKED	APPROVED	DATE
A	85-095	Initial release.	RFG	RF	5/4/04
B	85-111	Assorted R value changes to in-stock values. Add R125 & R126. C102 & C105 were 1.0uF..			



		NAME	DATE	MASSACHUSETTS INSTITUTE OF TECHNOLOGY CENTER FOR SPACE RESEARCH		
		DRAWN	M. Doucette	03/18/04		
		CHECKED	RFG	4/28/04		
85-30100	VOILA	APPROVED	R. Foster	5/2/04		
NEXT ASSEMBLY	USED ON	RELEASED	D. Gage	SIZE	CODE IDENT NO.	DRAWING NO.
APPLICATION				A	80230	85-03020.2401
				SCALE	SHEET 1 OF 1	