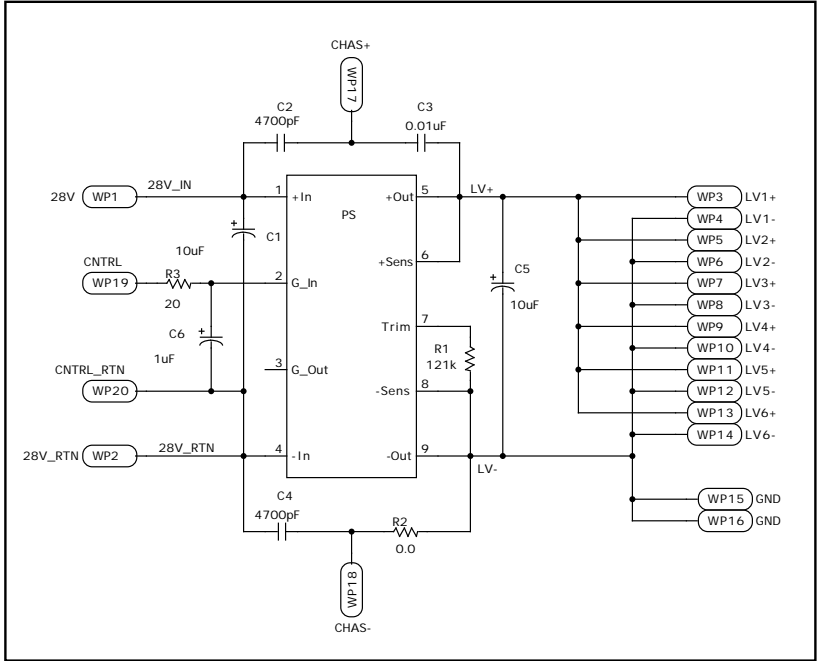


REVISIONS					
REV.	ECO NO.	DESCRIPTION	CHECKED	APPROVED	DATE
A	85-090	Initial Release	RFG	RF	4/25/04
B	85-107	Rename drawing to "Power Module". Swap 5&6V PM in P/N table. Delete redundant 28V IN/RTN pads and renumber remaining to agree w/85-03020.18. Add Gate control, R3, C6. Hide component volts.	RFG	RF	7/07/04
C	85-129	R1 was 120k.	RFG	RF	9/10/04

Power Module



NOTES:

- 1) Reference designations "WP" are wire pads.
- 2) WP1 (28V_IN) and WP2 (28V_RTN) are the power input to the module.
- 3) Pigtails with lugs from WP17 and WP18 connect to the chassis plate assembly with terminal lugs.
- 4) Note that R2, 0.0 ohms, is the secondary ground to chassis connection.
- 5) C1 may not be needed as the EMI filter has a 22uF.
- 6) 121k resistor R1 is on the 6.5V converter ONLY (trims the output to 6.0V), otherwise OPEN.
- 7) WP15 and WP16 daisy-chain secondary ground between modules.
- 8) The circuit board is common to all 5 DC-DC converters. The converter P/N is assigned at fabrication. See chart below.

POWER MODULE DC-DC CONVERTERS			
PM#	Voltage	Watt	Vicor P/N
PM1	12V	50W	MI-J21-IY
PM2	12V	50W	MI-J21-IY
PM3	6V	25W	MI-J2T-IZ
PM4	5V	25W	MI-J2O-IZ
PM5	3.3V	25W	MI-J2Y-IZ

85-30714.05		NAME	DATE	MASSACHUSETTS INSTITUTE OF TECHNOLOGY CENTER FOR SPACE RESEARCH			
85-30714.04		DRAWN M. Doucette	03/26/04	Schematic VOILA Power Module			
85-30714.03		CHECKED RFG	4/22/04				
85-30317.02	VOILA	APPROVED R.Foster	5/3/04				
NEXT ASSEMBLY	USED ON	RELEASED D.Gage	5/3/04				
APPLICATION				SIZE A	CODE IDENT NO. 80230	DRAWING NO. 85-03020.20	REV. C
				SCALE	SHEET 1 OF 1		