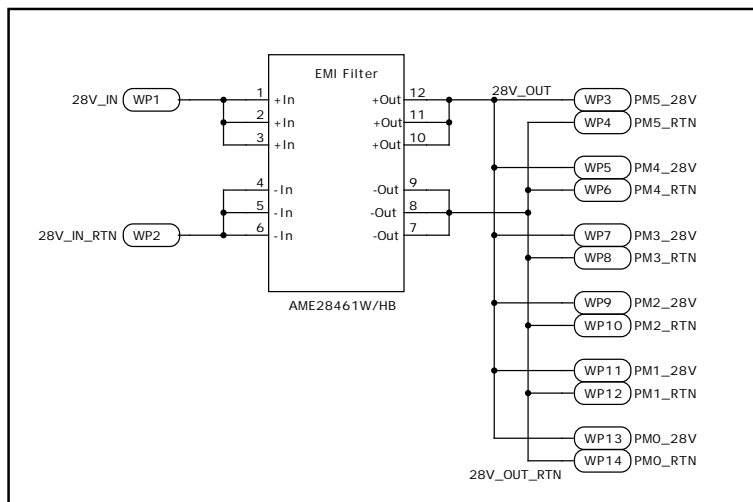


REVISIONS					
REV.	ECO NO.	DESCRIPTION	CHECKED	APPROVED	DATE
A	85-097	Initial Release	RFG	RF	5/5/04
B	85-129	Add wire pads WP13 & WP14. Filter PN was AME28461.	RFG	RF	9/10/04

FM1



NOTE:

- 1) WP1 and WP2 for 16 AWG wire. All others for 20 AWG wire.

		NAME	DATE	MASSACHUSETTS INSTITUTE OF TECHNOLOGY CENTER FOR SPACE RESEARCH			
		DRAWN M. Doucette	04/15/04	Schematic VOILA EMI Filter Module			
		CHECKED RFG	5/5/04				
85-30317.01	VOILA	APPROVED R. Foster	5/5/04				
NEXT ASSEMBLY	USED ON	RELEASED D. Gage	5/5/04	SIZE A	CODE IDENT NO. 80230	DRAWING NO. 85-03020.19	REV. B
APPLICATION				SCALE	SHEET 1 OF 1		