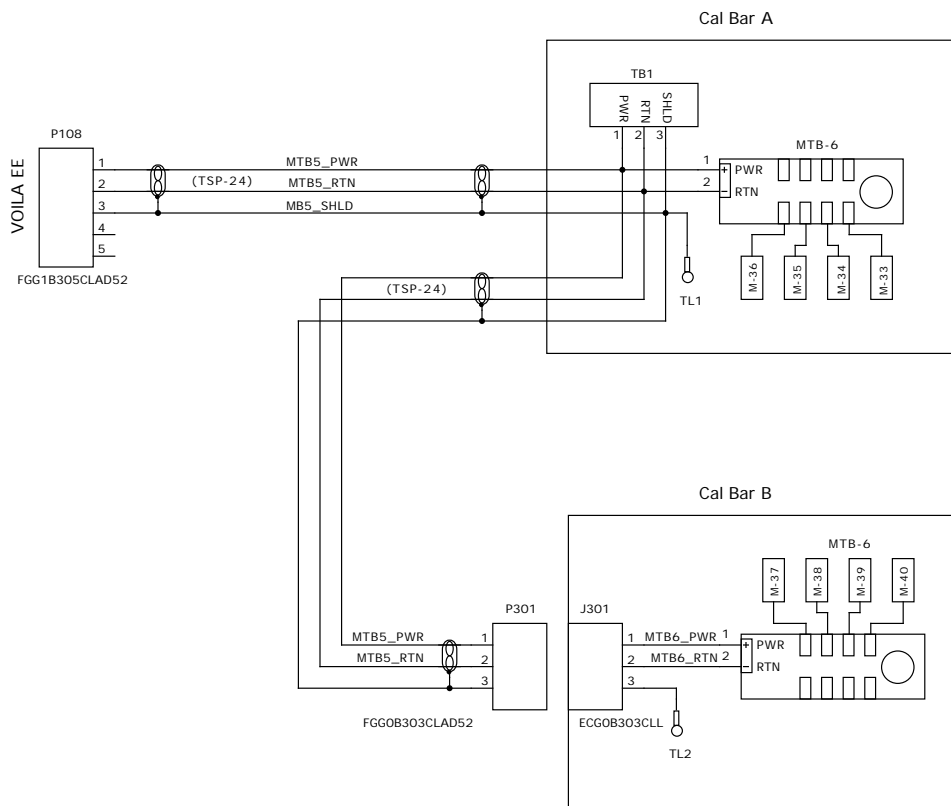


REVISIONS					
REV.	ECO NO.	DESCRIPTION	CHECKED	APPROVED	DATE
A	85-090	Initial Release	RFG	RF	4/28/04
B	85-146	TSPs were TSP-22s. Assign LED#s. Assign LEMO P/Ns and pin numbers. TB1 was TB-MTB5.	RFG	RF	9/28/04



NOTE:

- 1) Use SINGL-24 for TSP pigtails.
- 2) Connect terminal lugs TL1 and 2 to respective chassis.

Type Code	Description
SNGL-26	Single Cond, #26 AWG
SNGL-24	Single Cond, #24 AWG
SNGL-22	Single Cond, #22 AWG
TP-24	Twisted Pair, #24 AWG
TP-22	Twisted pair, #22 AWG
TT-24	Twisted Triple, #24 AWG
TSP-24	Twisted Shield Pr, #24 AWG
TSP-22	Twisted Shield Pr, #22 AWG
TST-24	Twisted Shield Triple, #24 AWG
Coax	COAX, #24 AWG
Shld	Braid, tinned copper

		NAME	DATE	MASSACHUSETTS INSTITUTE OF TECHNOLOGY CENTER FOR SPACE RESEARCH			
		DRAWN M. Doucette	03/30/04	Schematic VOILA Cal Bar A & B			
85-41400	VOILA	CHECKED R.Goeke	4/22/04				
85-41300	VOILA	APPROVED R.Foster	5/02/04				
NEXT ASSEMBLY	USED ON	RELEASED D.Gage	5/03/04				
APPLICATION				SIZE A	CODE IDENT NO. 80230	DRAWING NO. 85-03020.05	REV. B
				SCALE	SHEET 1 OF 1		