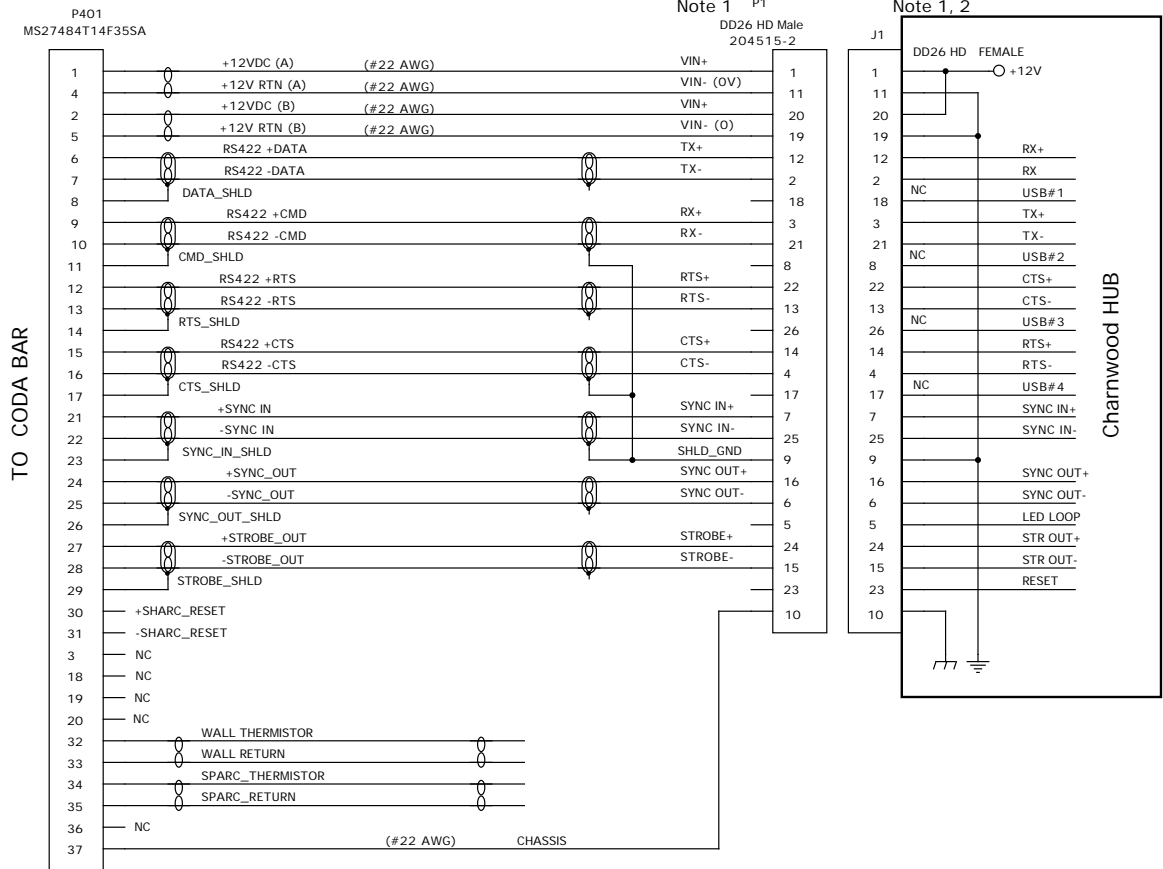


REVISIONS					
REV.	ECO NO.	DESCRIPTION	CHECKED	APPROVED	DATE
01	85-038	Initial release.		MCD	6/06/02



- NOTE:
- 1) P1 and J1 signal designations per Charnwood Minihub schematic.
  - 2) Charnwood Hub shown for reference only.
  - 3) All wire 24AWG unless noted.

		NAME	DATE	MASSACHUSETTS INSTITUTE OF TECHNOLOGY CENTER FOR SPACE RESEARCH				
		DRAWN	M. Doucette	02/22/02	Schematic Charwood CODA Test Cable			
		CHECKED						
85-45807.05	VOILA	APPROVED						
NEXT ASSEMBLY	USED ON	RELEASED			SIZE	CODE IDENT NO.	DRAWING NO.	REV.
					A	80230	85-03010.92	01
APPLICATION				SCALE	SHEET 1 OF 1			