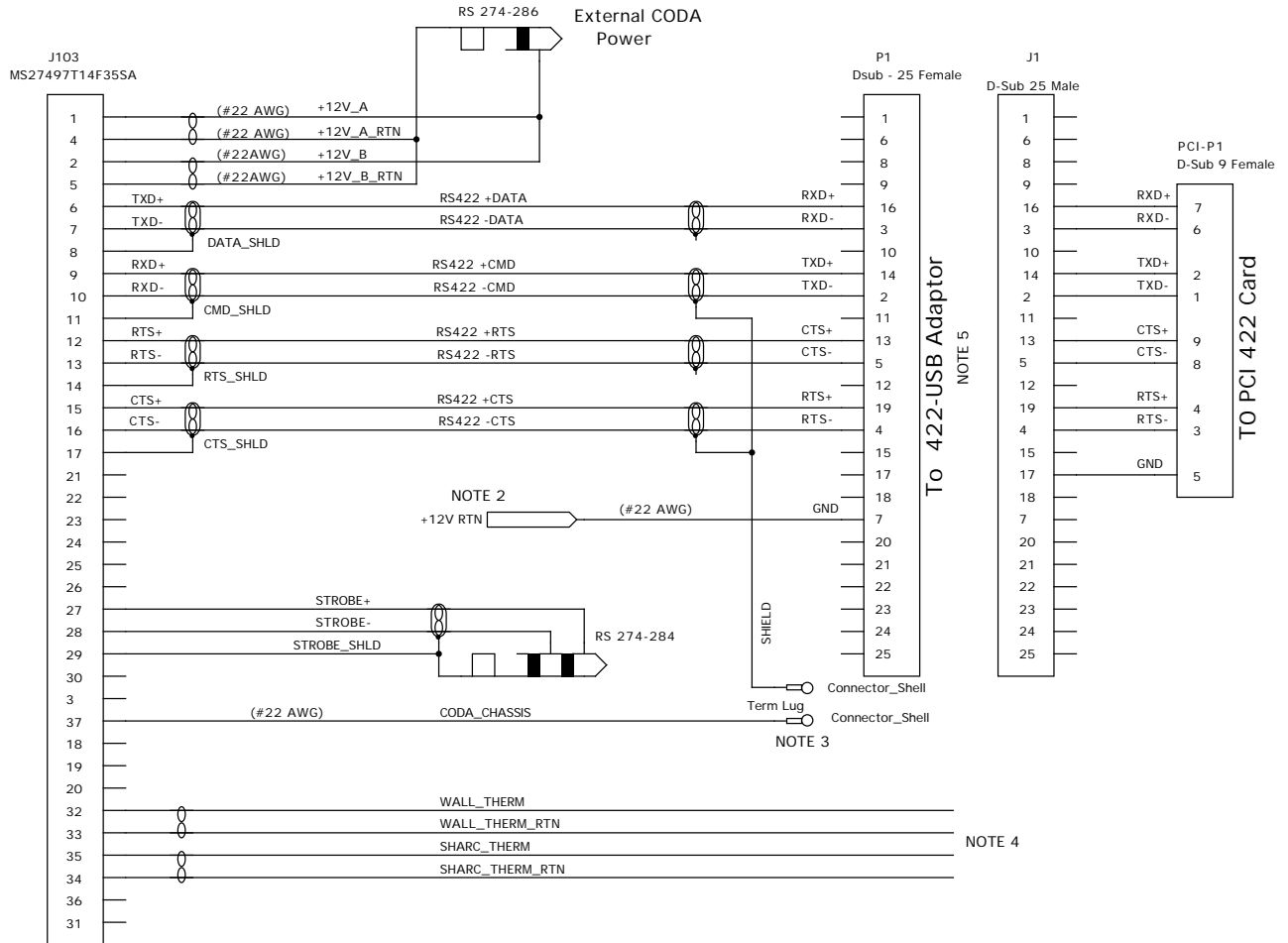


REVISIONS					
REV.	ECO NO.	DESCRIPTION	CHECKED	APPROVED	DATE
01	85-035	Initial release.		MCD	5/15/02
02	85-041	Change title - was CODA 38999 to 422/USB Hub". Add D-Sub 25P to D-Sub 9S for PCI 422 Card use. "SHARC" was "SPARC". Add pin signal names.		MCD	08/15/02
03	85-044	Replace power banana jacks with audio jack. Bring out strobes.		MCD	09/18/02

Mate with W3 P103, MS27484T14F35PA



NOTE:

- 1) All wire 24AWG unless noted.
- 2) Not used with ELPAC power supply.
- 3) Terminal Lugs: CRS-T0-1804, 22-18 AWG, #4 Screw. Connect to P1 shell.
- 4) Strip & tin Thermistor terminations.
- 5) 422-USB Hub not used (too slow).

		NAME	DATE	MASSACHUSETTS INSTITUTE OF TECHNOLOGY CENTER FOR SPACE RESEARCH			
		DRAWN M. Doucette	05/02/02	Schematic Adaptor CODA 38999 to PCI 422 Card			
		CHECKED					
85-45807.05	VOILA	APPROVED		SIZE	CODE IDENT NO.	DRAWING NO.	REV.
NEXT ASSEMBLY	USED ON	RELEASED		A	80230	85-03010.91	03
APPLICATION				SCALE	SHEET 1 OF 1		