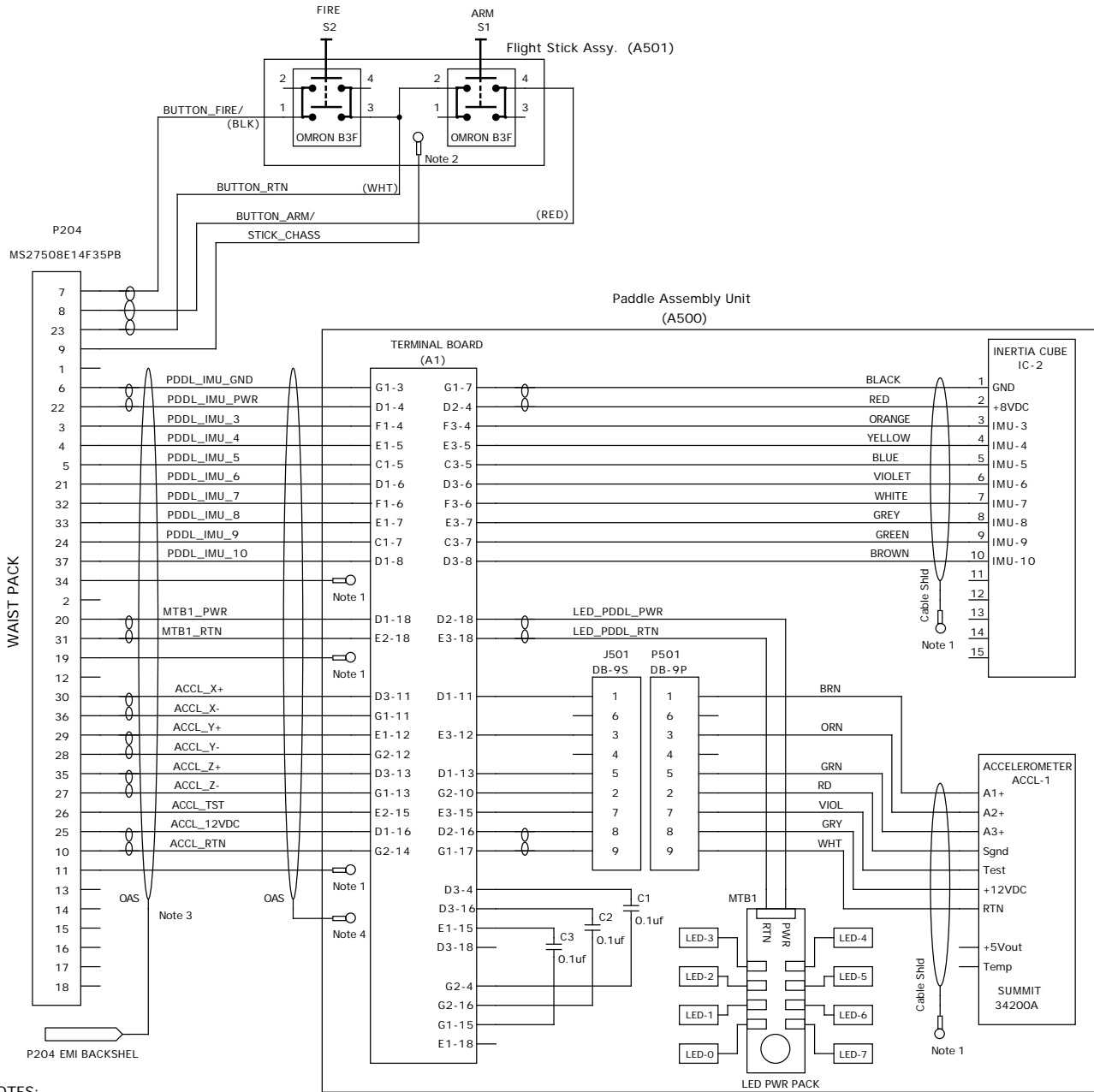


REVISIONS					
REV.	ECO NO.	DESCRIPTION	CHECKED	APPROVED	DATE
01	85-014	Preliminary Release		MCD	12/21/01
02	85-030	Show twisted pairs on Accelerometer signal lines. Add signal names for MTB1 power. Correct drawing name, Next Assy. No. Add D-Sub between Accelerometer & Board. Delete cable shield on Accelerometer.		MCD	4/23/02
03	85-063	Delete C4. Add Note 5.		MCD	11/26/03



**NOTES:**

- 1) Connect Terminal Lugs (5) in Assembly A500 chassis.
- 2) Connect terminal lug in Assembly A501 to handle chassis.
- 3) Overall shield terminated at P204 EMI backshell.
- 4) Overall shield terminated at Assy A500 chassis.
- 5) All designations are for the EU only.

		NAME	DATE	MASSACHUSETTS INSTITUTE OF TECHNOLOGY CENTER FOR SPACE RESEARCH			
		DRAWN	M. Doucette	12/21/01			
		CHECKED					
		APPROVED					
85-45808	VOILA	RELEASED					
NEXT ASSEMBLY		USED ON					
APPLICATION							
				Schematic W8 and Internal Paddle Assembly Engineering Unit			
SIZE	CODE IDENT NO.	DRAWING NO.		REV.			
A	80230	85-03010.51		03			
SCALE				SHEET 1 of 1			