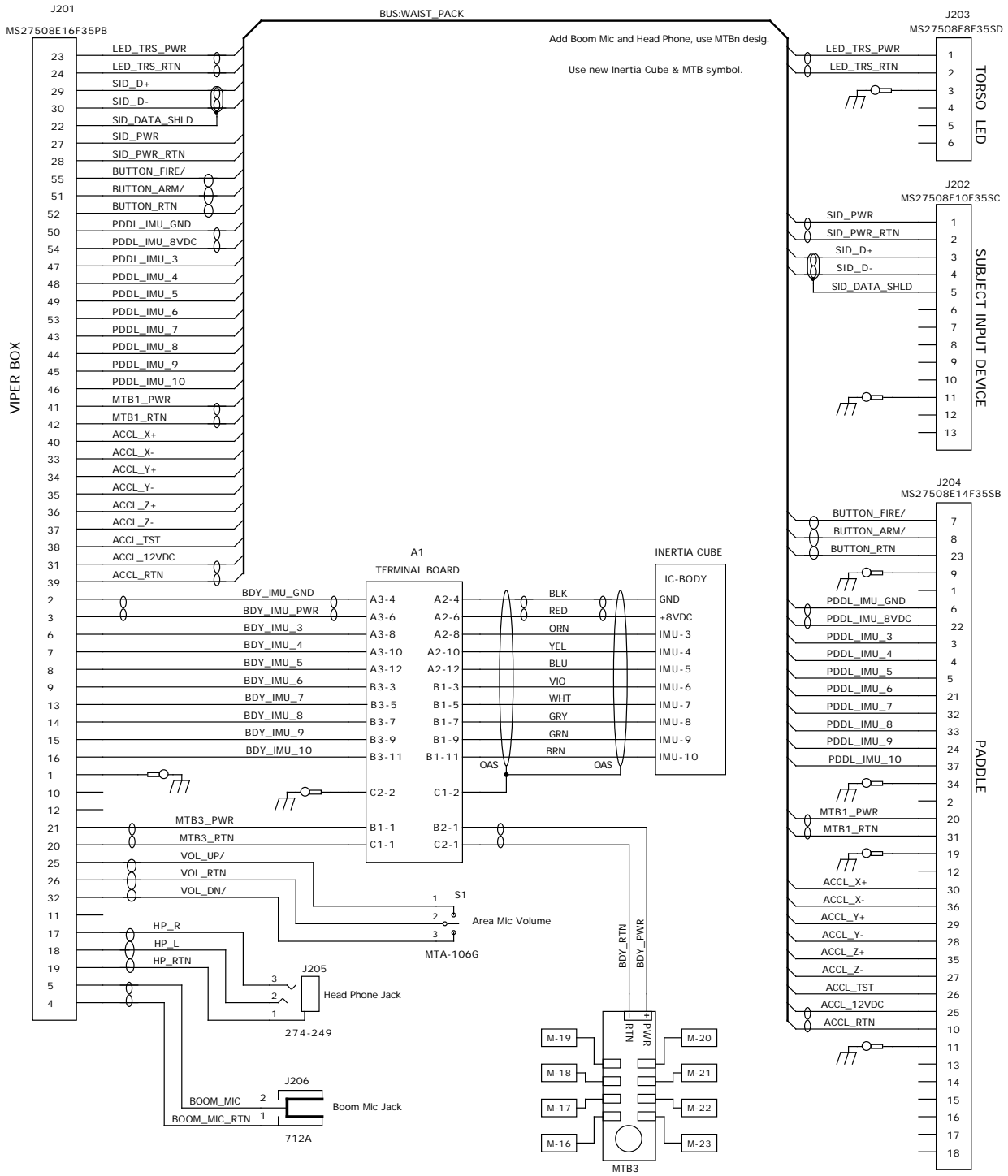


REVISIONS					
REV.	ECO NO.	DESCRIPTION	CHECKED	APPROVED	DATE
01	85-012	Preliminary Release		MCD	12/18/01
02	85-017	Add J205, J206, MTBx designation. Use new Inertia Cube & MTB symbol.			



		NAME	DATE	MASSACHUSETTS INSTITUTE OF TECHNOLOGY CENTER FOR SPACE RESEARCH			
		DRAWN M. Doucette	12/09/01	Schematic Waist Pack Internal Harness Engineering Unit			
		CHECKED					
85-45403	VOILA	APPROVED					
NEXT ASSEMBLY	USED ON	RELEASED		SIZE A	CODE IDENT NO. 80230	DRAWING NO. 85-03010.40	REV. 02
APPLICATION				SCALE	SHEET 1 OF 1		