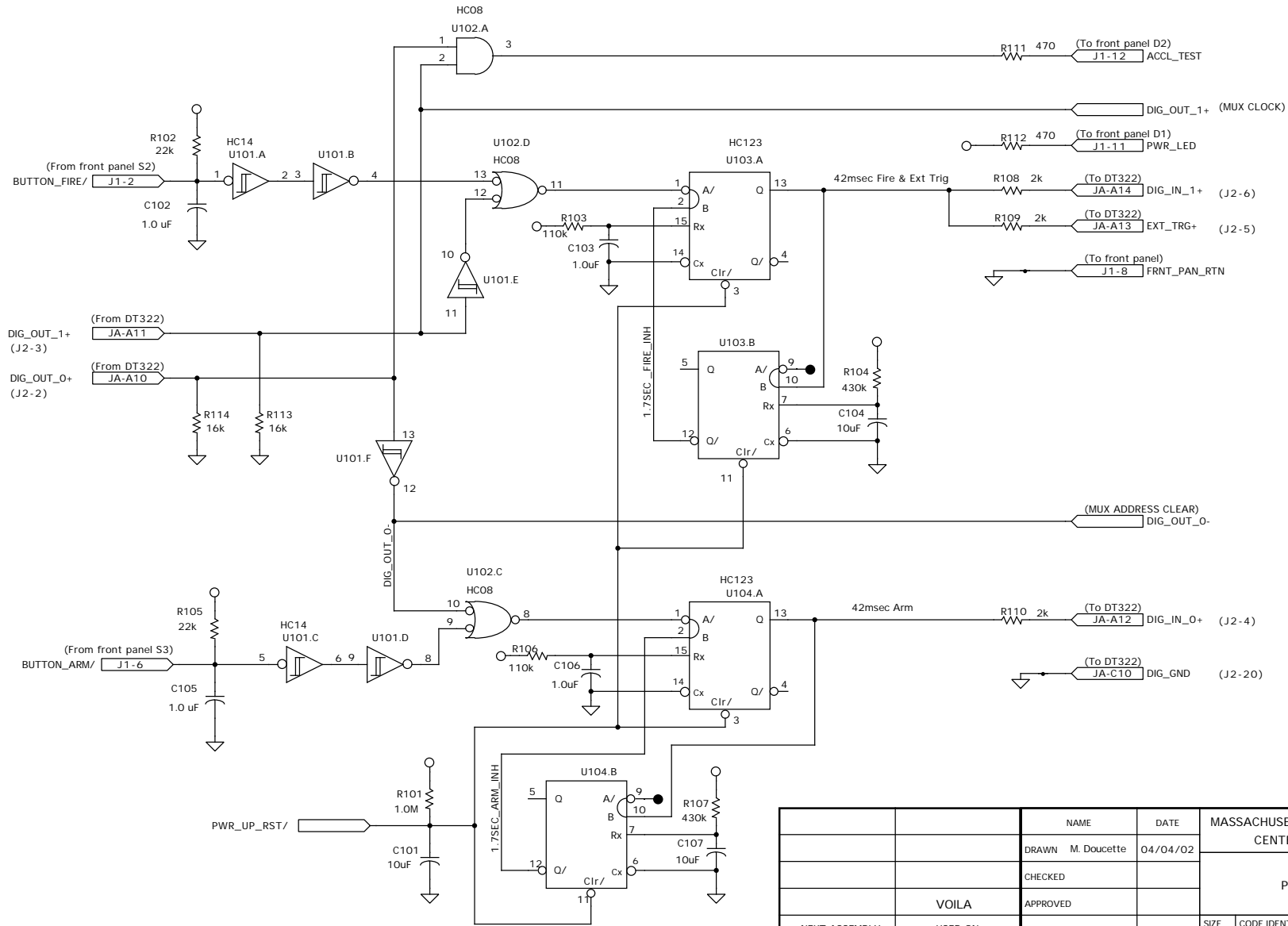
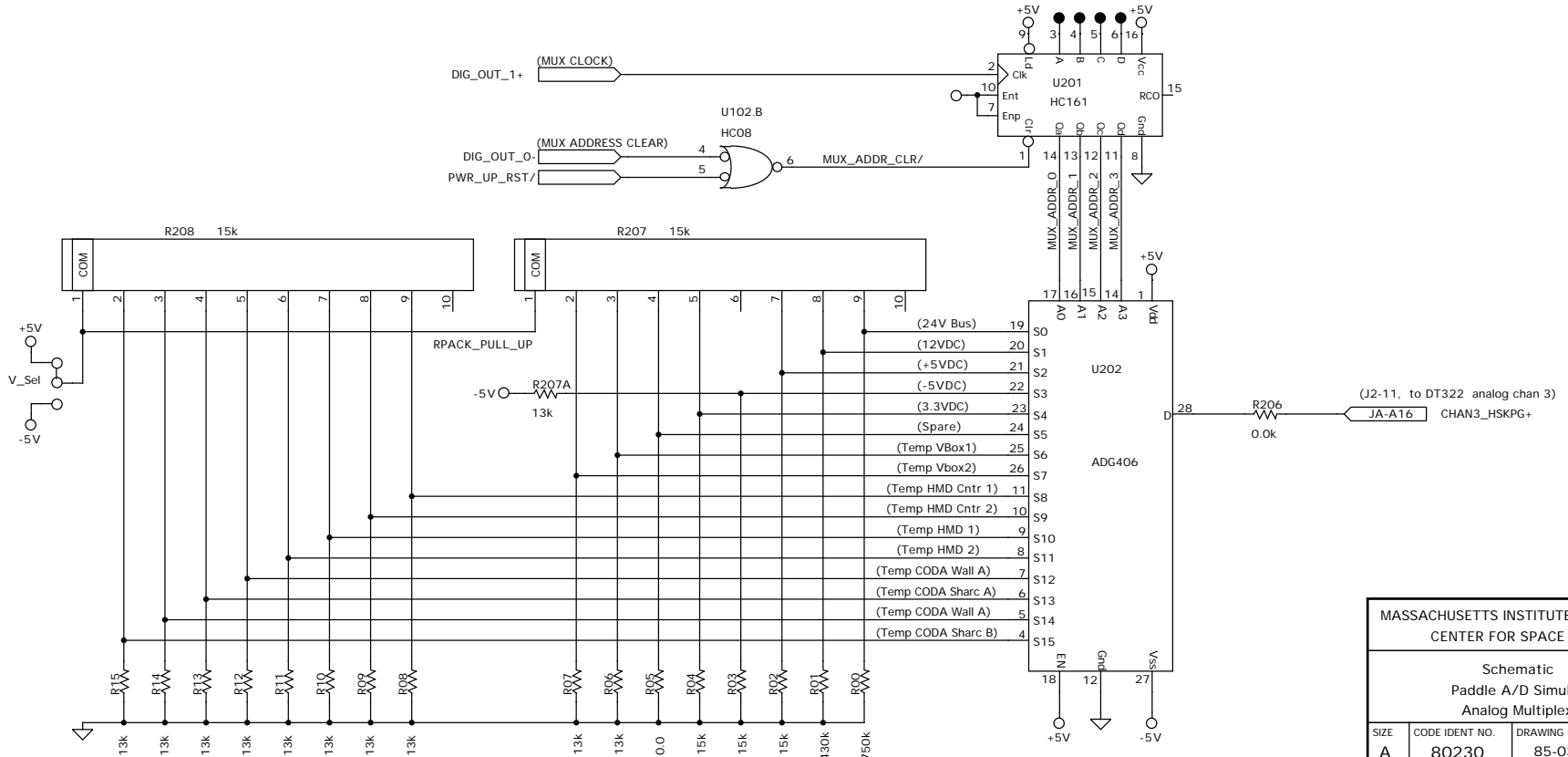
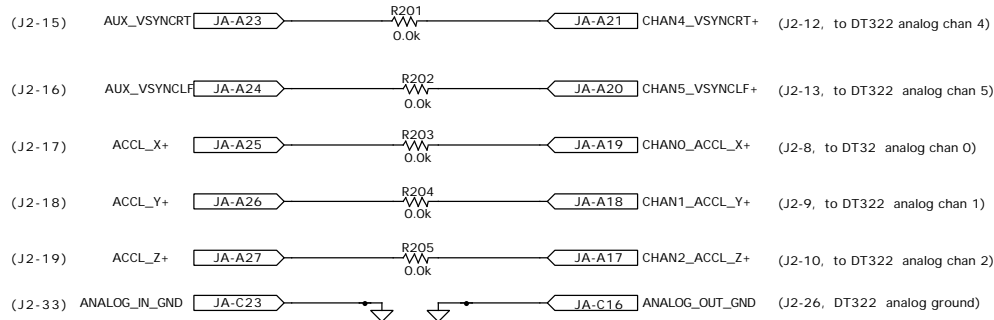


REVISIONS					
REV.	ECO NO.	DESCRIPTION	CHECKED	APPROVED	DATE
O1	85-041	Initial release.		MCD	8/14/02
O2	85-044	See Sheet 2.		MCD	09/18/02



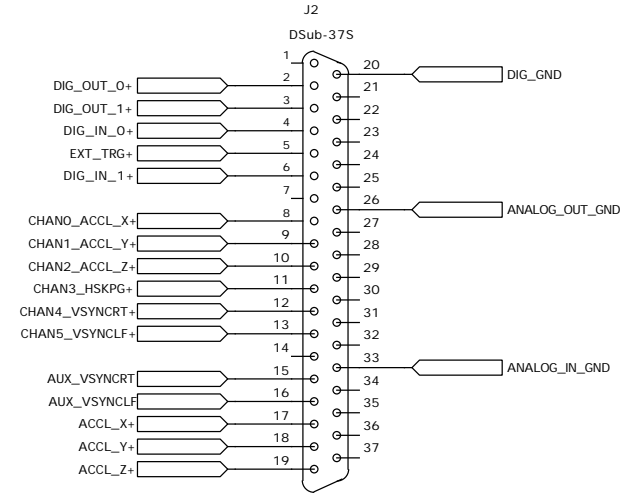
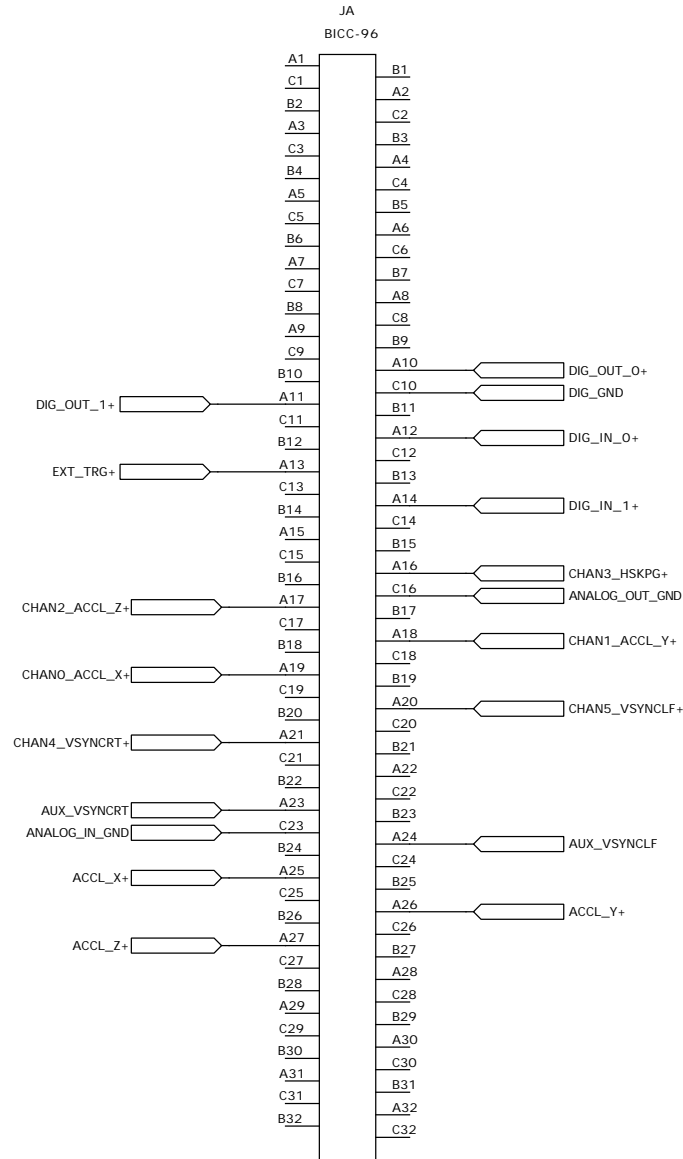
		NAME	DATE	MASSACHUSETTS INSTITUTE OF TECHNOLOGY CENTER FOR SPACE RESEARCH			
		DRAWN M. Doucette	04/04/02	Schematic Paddle A/D Simulator, GSE Control Logic			
		CHECKED					
		APPROVED					
NEXT ASSEMBLY	USED ON	RELEASED		SIZE A	CODE IDENT NO. 80230	DRAWING NO. 85-03010.28	REV. 02
APPLICATION				SCALE	SHEET 1 OF 5		

REVISIONS					
REV.	ECO NO.	DESCRIPTION	CHECKED	APPROVED	DATE
01	85-04.1	See Sheet 1.		MCD	08/14/02
02	85-04.4	Change R201-R206 from 2.0k to 0.0k.		MCD	09/18.02



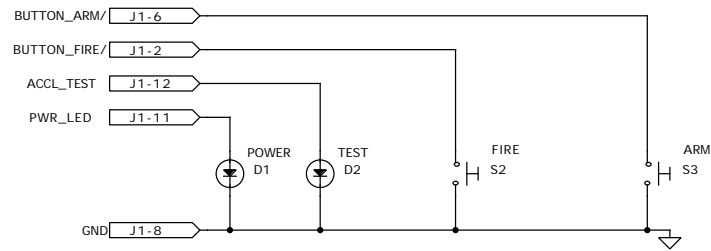
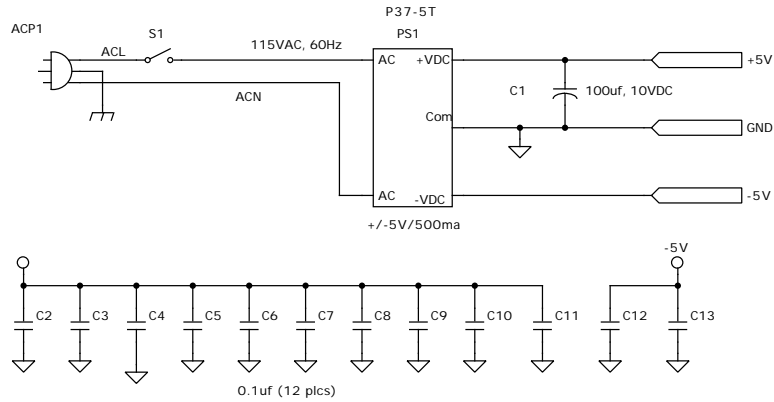
MASSACHUSETTS INSTITUTE OF TECHNOLOGY CENTER FOR SPACE RESEARCH			
Schematic Paddle A/D Simulator, GSE Analog Multiplexer			
SIZE A	CODE IDENT NO. 80230	DRAWING NO. 85-03010.28	REV. 02
SCALE		SHEET 2 OF 5	

REVISIONS					
REV.	ECO NO.	DESCRIPTION	CHECKED	APPROVED	DATE
01	85-041	See Sheet 1.		MCD	08/14/02
02	85-044	No changes this sheet.		MCD	09/18/02



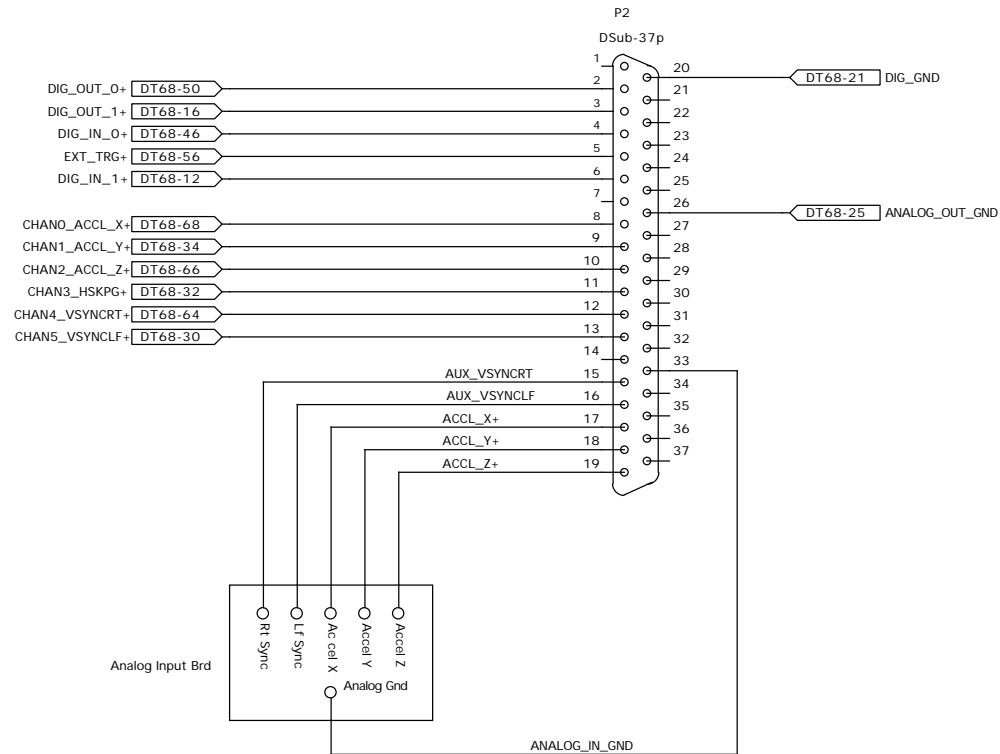
MASSACHUSETTS INSTITUTE OF TECHNOLOGY CENTER FOR SPACE RESEARCH			
Schematic Paddle A/D Simulator, GSE BICC Connector			
SIZE A	CODE IDENT NO. 80230	DRAWING NO. 85-03010.28	REV. 02
SCALE		SHEET 3 OF 5	

REVISIONS					
REV.	ECO NO.	DESCRIPTION	CHECKED	APPROVED	DATE
O1	85-041	See Sheet 1.		MCD	08/14/02
O2	85-044	No changes this sheet.		MCD	09/18/02



MASSACHUSETTS INSTITUTE OF TECHNOLOGY CENTER FOR SPACE RESEARCH			
Schematic Paddle A/D Simulator, GSE Power & Front Panel			
SIZE	CODE IDENT NO.	DRAWING NO.	REV.
A	80230	85-03010.28	02
SCALE			SHEET 4 OF 5

REVISIONS					
REV.	ECO NO.	DESCRIPTION	CHECKED	APPROVED	DATE
01	85-041	See Sheet 1.		MCD	08/14/02
02	85-044	No changes this sheet.		MCD	09/18/02



MASSACHUSETTS INSTITUTE OF TECHNOLOGY CENTER FOR SPACE RESEARCH			
Schematic Paddle A/D Simulator, GSE Test Point Board			
SIZE	CODE IDENT NO.	DRAWING NO.	REV.
A	80230	85-03010.28	02
SCALE		SHEET 5 OF 5	