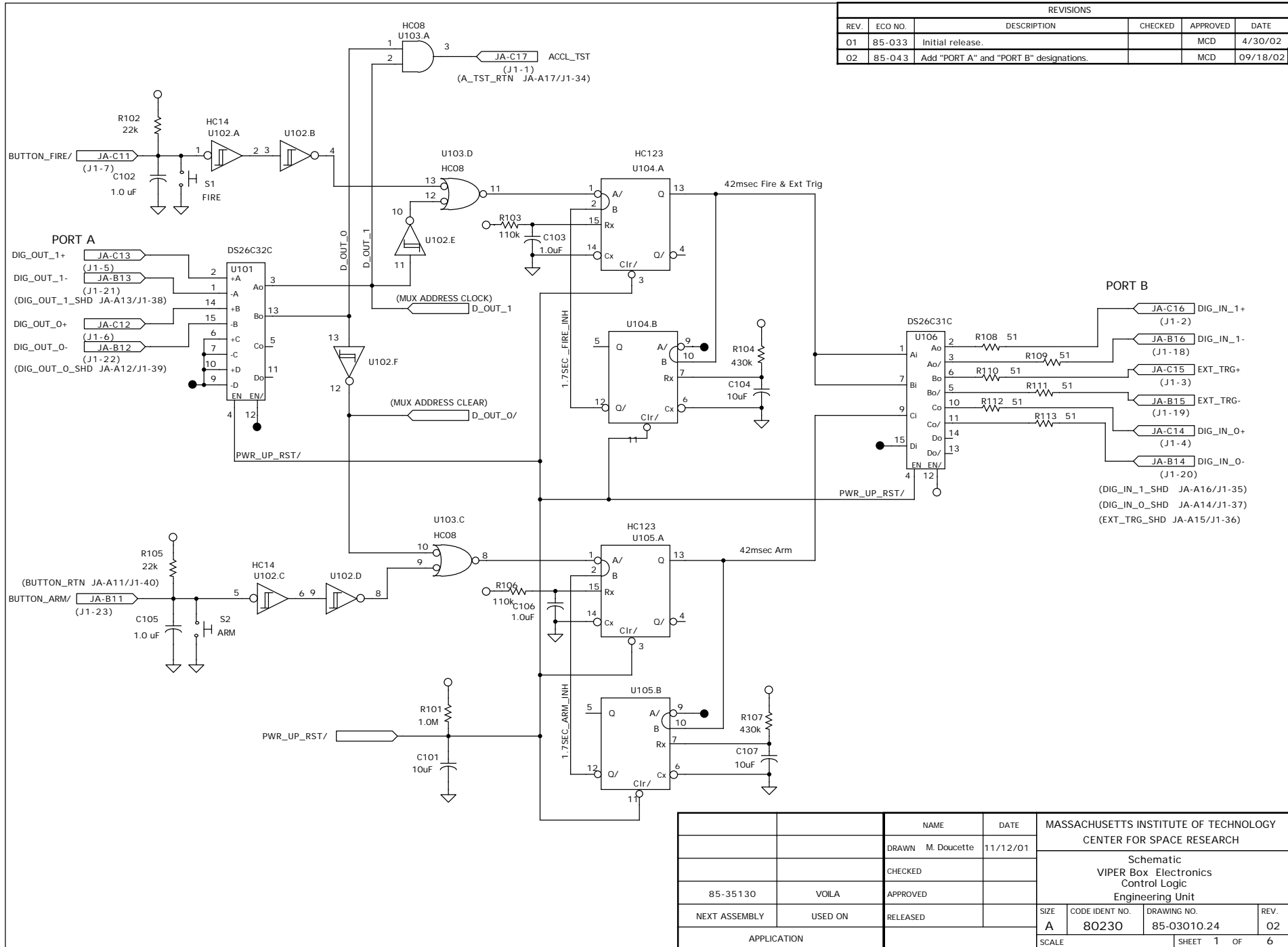


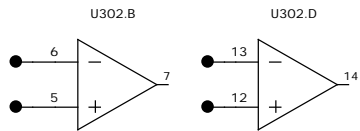
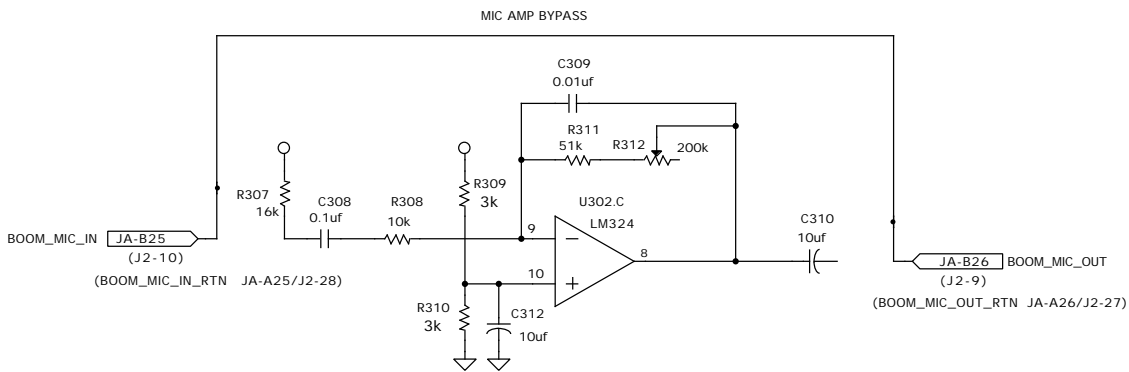
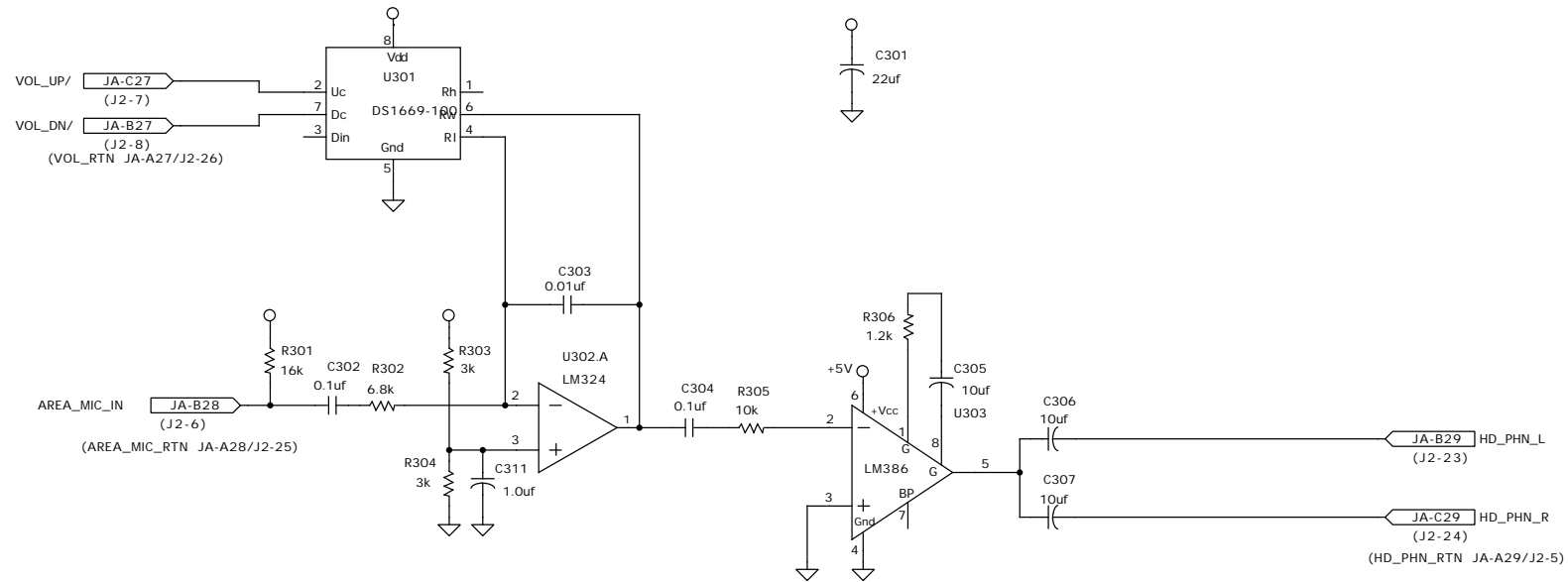
REVISIONS					
REV.	ECO NO.	DESCRIPTION	CHECKED	APPROVED	DATE
01	85-033	Initial release.		MCD	4/30/02
02	85-043	Add "PORT A" and "PORT B" designations.		MCD	09/18/02



		NAME	DATE	MASSACHUSETTS INSTITUTE OF TECHNOLOGY CENTER FOR SPACE RESEARCH			
		DRAWN M. Doucette	11/12/01	Schematic VIPER Box Electronics Control Logic Engineering Unit			
		CHECKED					
85-35130	VOILA	APPROVED					
NEXT ASSEMBLY	USED ON	RELEASED		SIZE A	CODE IDENT NO. 80230	DRAWING NO. 85-03010.24	REV. 02
APPLICATION				SCALE	SHEET 1 OF 6		

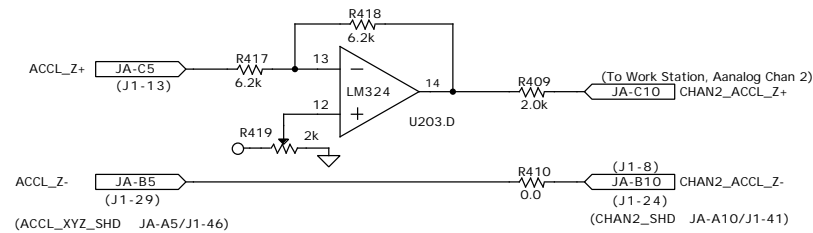
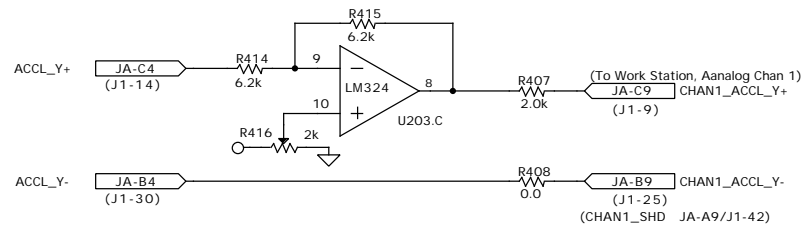
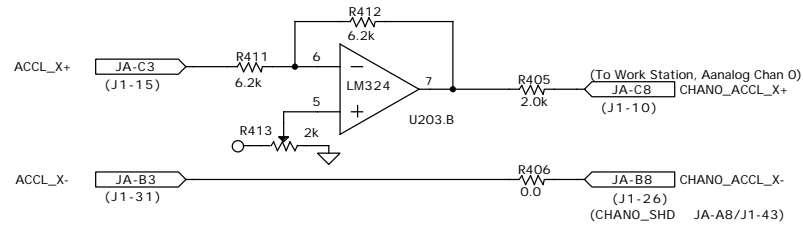
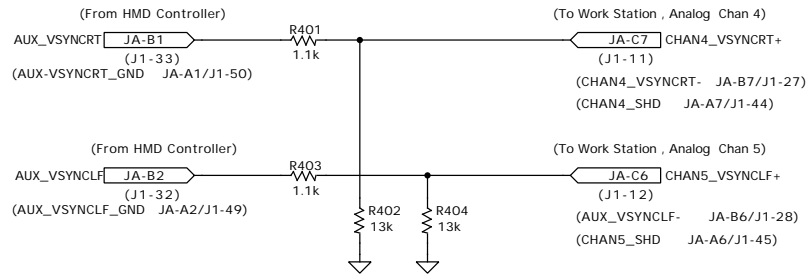


REVISIONS					
REV.	ECO NO.	DESCRIPTION	CHECKED	APPROVED	DATE
01	85-033	Initial release.		MCD	4/30/02
02	85-043	Change C301 to 22uf from 10uf.		MCD	09/18/02



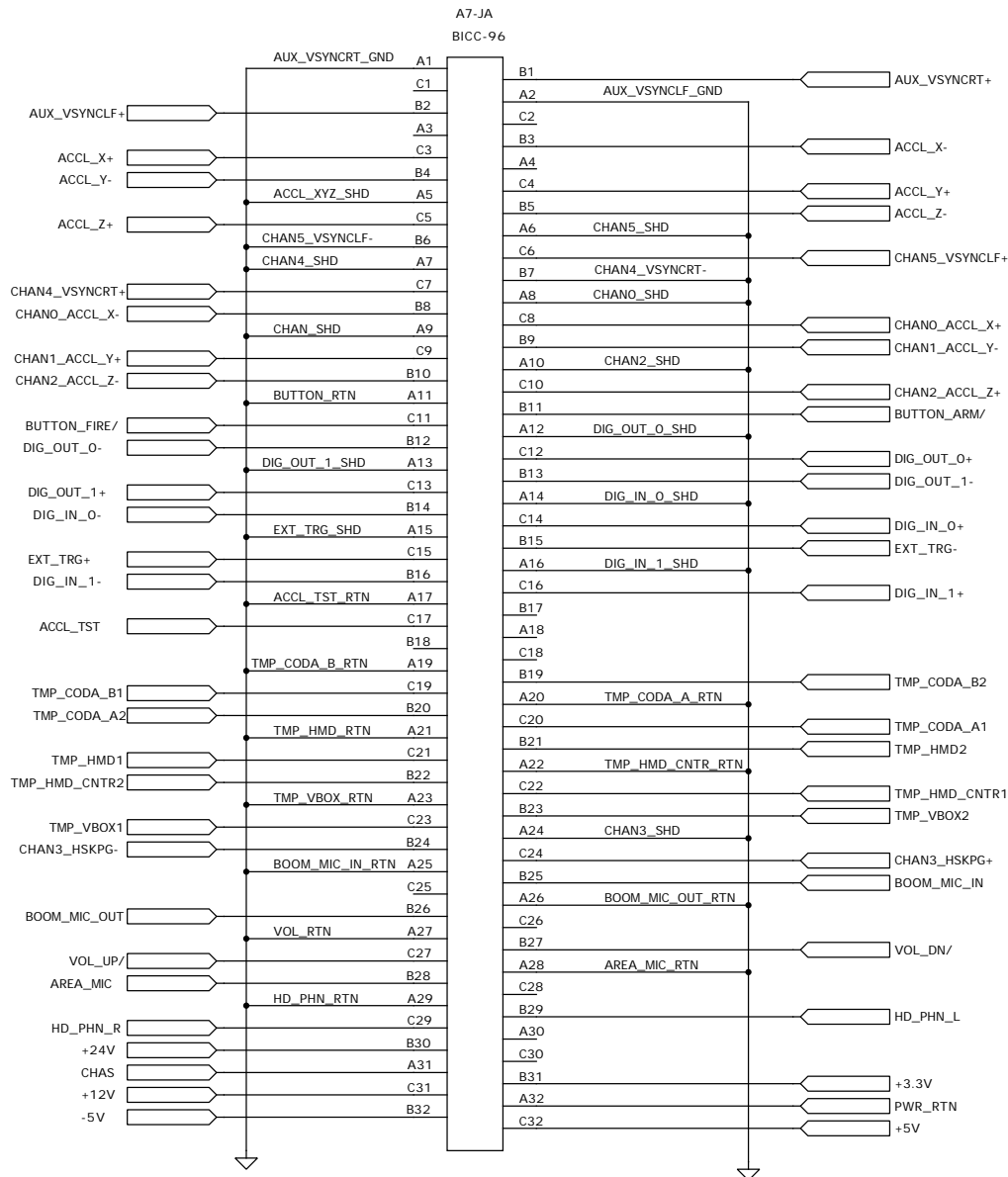
Schematic VIPER Box Electronics Audio Circuits Engineering Unit			
SIZE	CODE IDENT NO.	DRAWING NO.	REV.
A	80230	85-03010.24	02
SCALE			SHEET 3 OF 6

REVISIONS					
REV.	ECO NO.	DESCRIPTION	CHECKED	APPROVED	DATE
01	85-033	Initial release.		MCD	4/30/02
02	85-043	Change LM324 from U202 to U203.		MCD	09/18/02



Schematic VIPER Box Electronics Sync & Accelerometer Intrfc. Engineering unit			
SIZE A	CODE IDENT NO. 80230	DRAWING NO. 85-03010.24	REV. 02
SCALE		SHEET 4 OF 6	

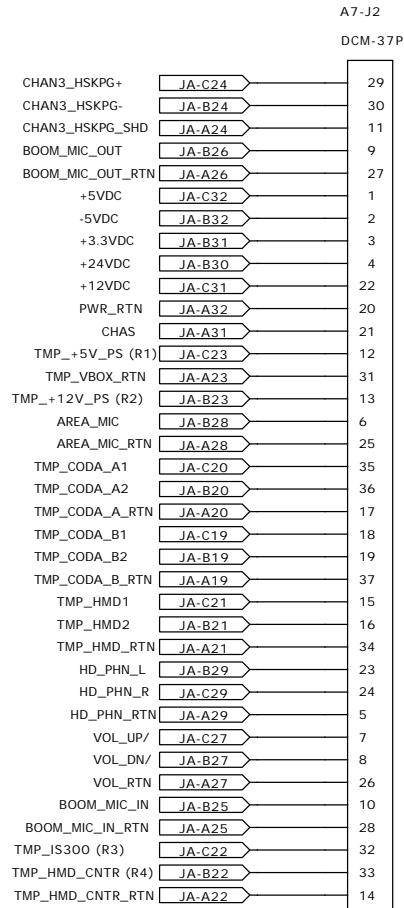
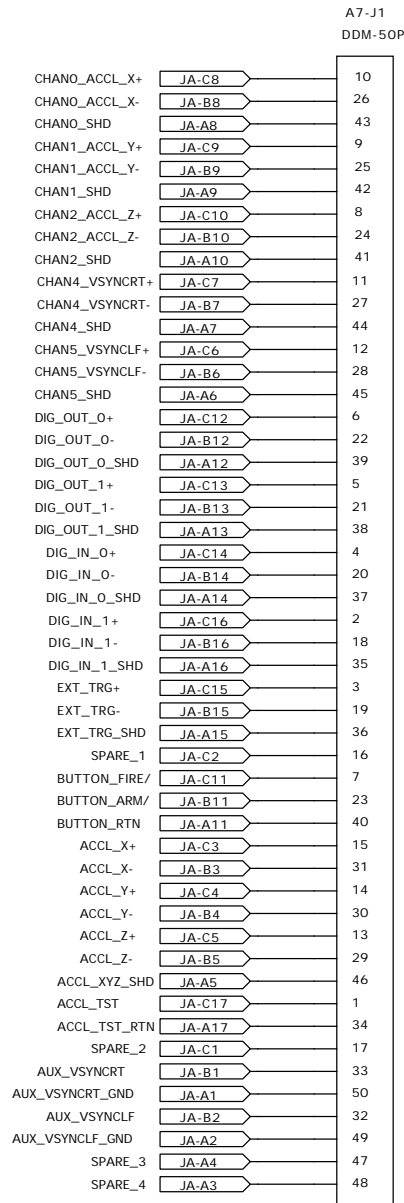
REVISIONS					
REV.	ECO NO.	DESCRIPTION	CHECKED	APPROVED	DATE
01	85-033	Initial release.		MCD	4/30/02
02	85-043	No change this sheet.		MCD	09/18/02



POWER: A31 CHASSIS J2-31  
A32 PWR RTN J2-20  
B30 +24V J2-4  
B31 +3.3V J2-3  
B32 -5V J2-2  
C31 +12V J2-22  
C32 +5V J2-1

Schematic VIPER Box Electronics BICC Connector Engineering Unit			
SIZE	CODE IDENT NO.	DRAWING NO.	REV.
A	80230	85-03010.24	02
SCALE		SHEET 5 OF 6	

REVISIONS					
REV.	ECO NO.	DESCRIPTION	CHECKED	APPROVED	DATE
01	85-033	Initial release.		MCD	4/30/02
02	85-043	Show new thermistor locations for R1,R2,R3,R4.		MCD	09/18/02



Schematic VIPER Box Electronics BICC to D-Sub Engineering Unit			
SIZE	CODE IDENT NO.	DRAWING NO.	REV.
A	80230	85-03010.24	02
SCALE	SHEET 6 OF		6