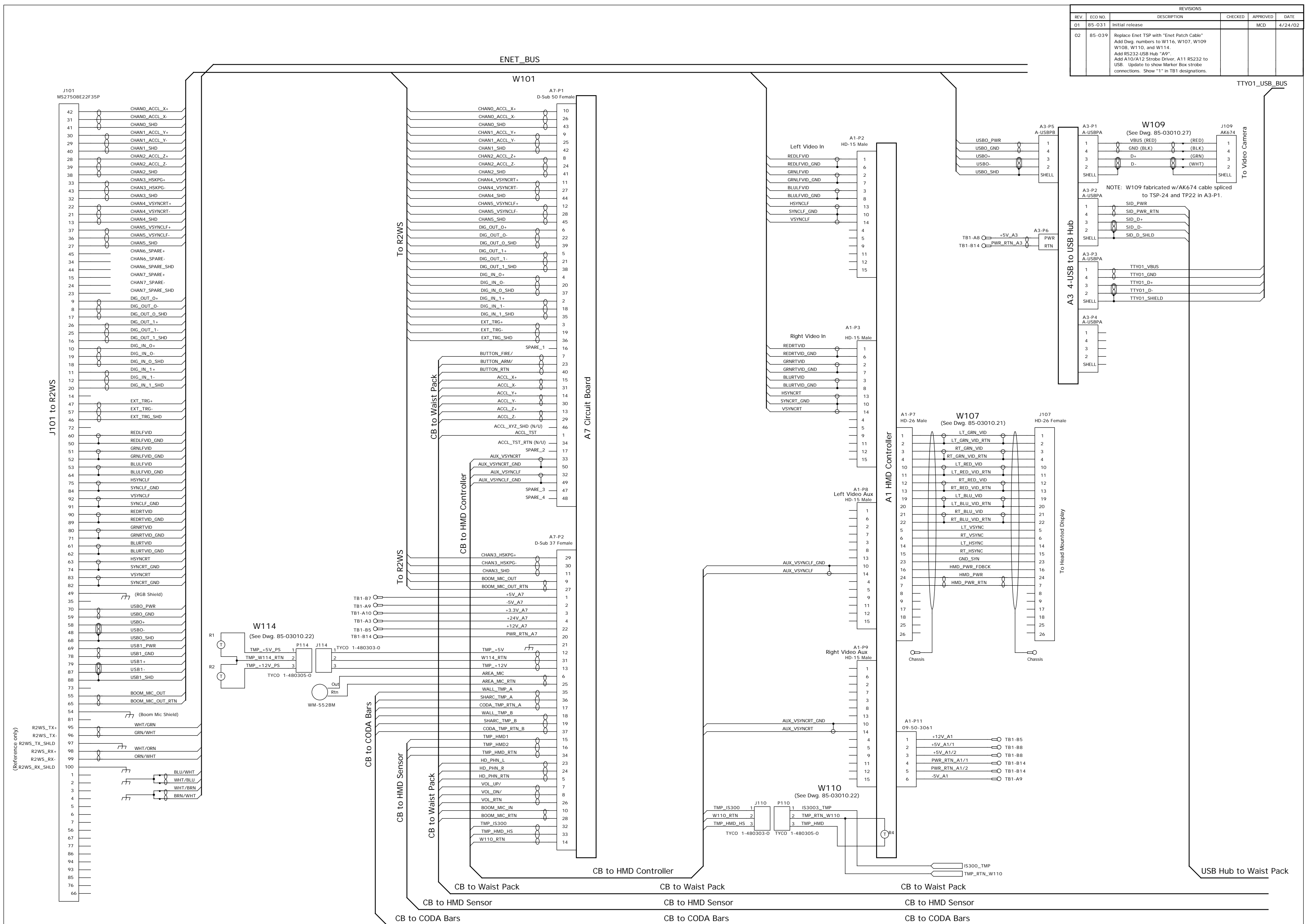
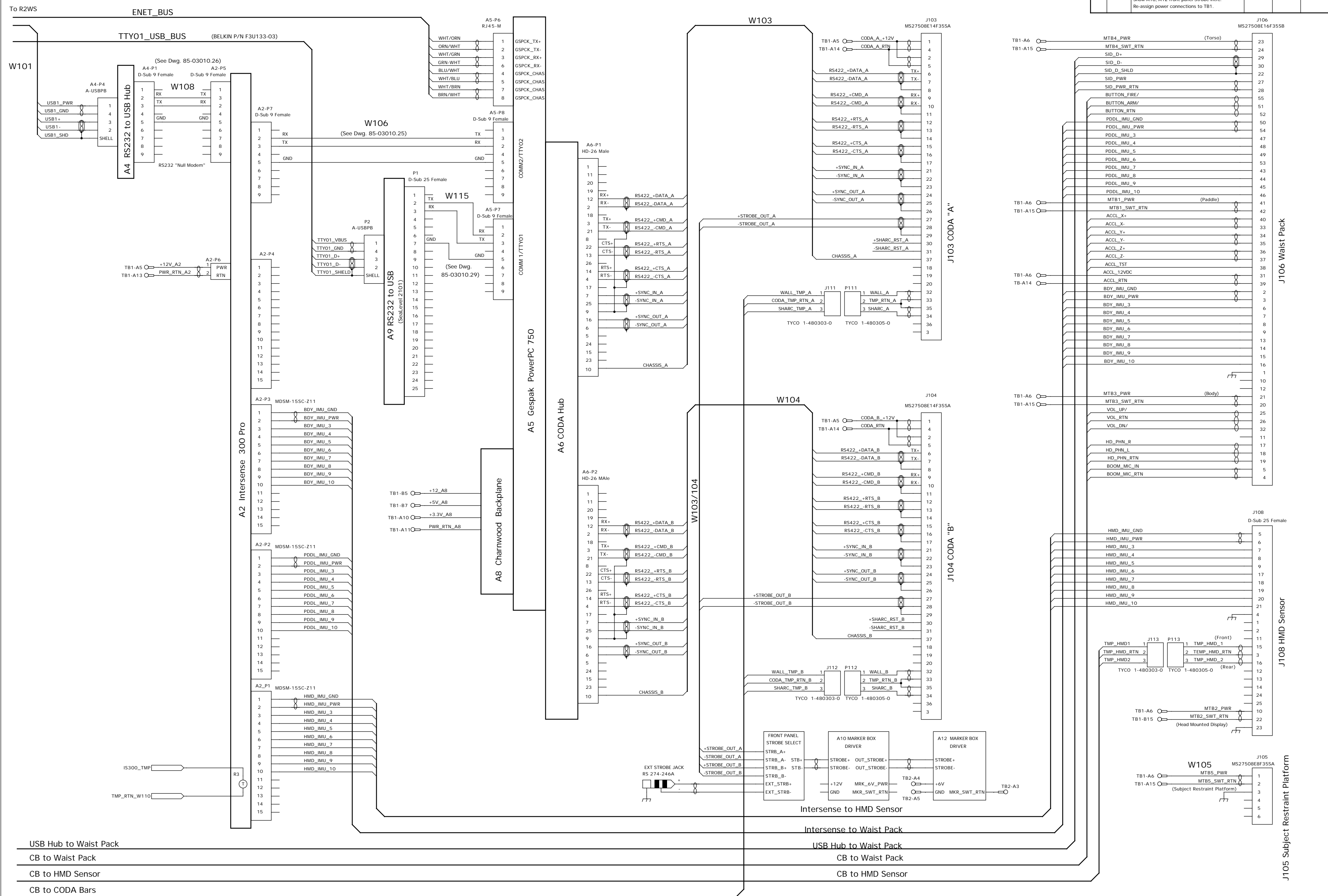


REVISIONS					
REV.	ECO NO.	DESCRIPTION	CHECKED	APPROVED	DATE
01	85-031	Initial release		MCD	4/24/02
02	85-039	Replace Enet TSP with "Enet Patch Cable" Add Dwg. numbers to W116, W107, W109 W108, W110, and W114. Add RS232-USB Hub "A9" Add A10/A12 Strobe Driver, A11 RS232 to USB. Update to show Marker Box strobe connections. Show "1" in TB1 designations.			



		NAME	DATE	MASSACHUSETTS INSTITUTE OF TECHNOLOGY CENTER FOR SPACE RESEARCH
		DRAWN M. Doucette	4/24/02	Schematic VIPER Box Internal Harness/Cables Engineering Unit
		CHECKED		
85-40806.05	VOILA	APPROVED		
NEXT ASSEMBLY	USED ON	RELEASED		SIZE CODE IDENT NO. DRAWING NO. REV.
APPLICATION				C 80230 85-03010.23 02
				SCALE SHEET 1 of 2

REVISIONS					
REV.	ECO NO.	DESCRIPTION	CHECKED	APPROVED	DATE
01	85-031	Initial release		MCD	4/24/02
02	85-039	Move CODA Strobes to front panel switch instead of A6 CODA Hub. Show "1" on TB1 connections. Show A10, A12 front panel Strobe Infc. Re-assign power connections to TB1.			



- USB Hub to Waist Pack
- CB to Waist Pack
- CB to HMD Sensor
- CB to CODA Bars
- Intersense to HMD Sensor
- Intersense to Waist Pack
- USB Hub to Waist Pack
- CB to Waist Pack
- CB to HMD Sensor