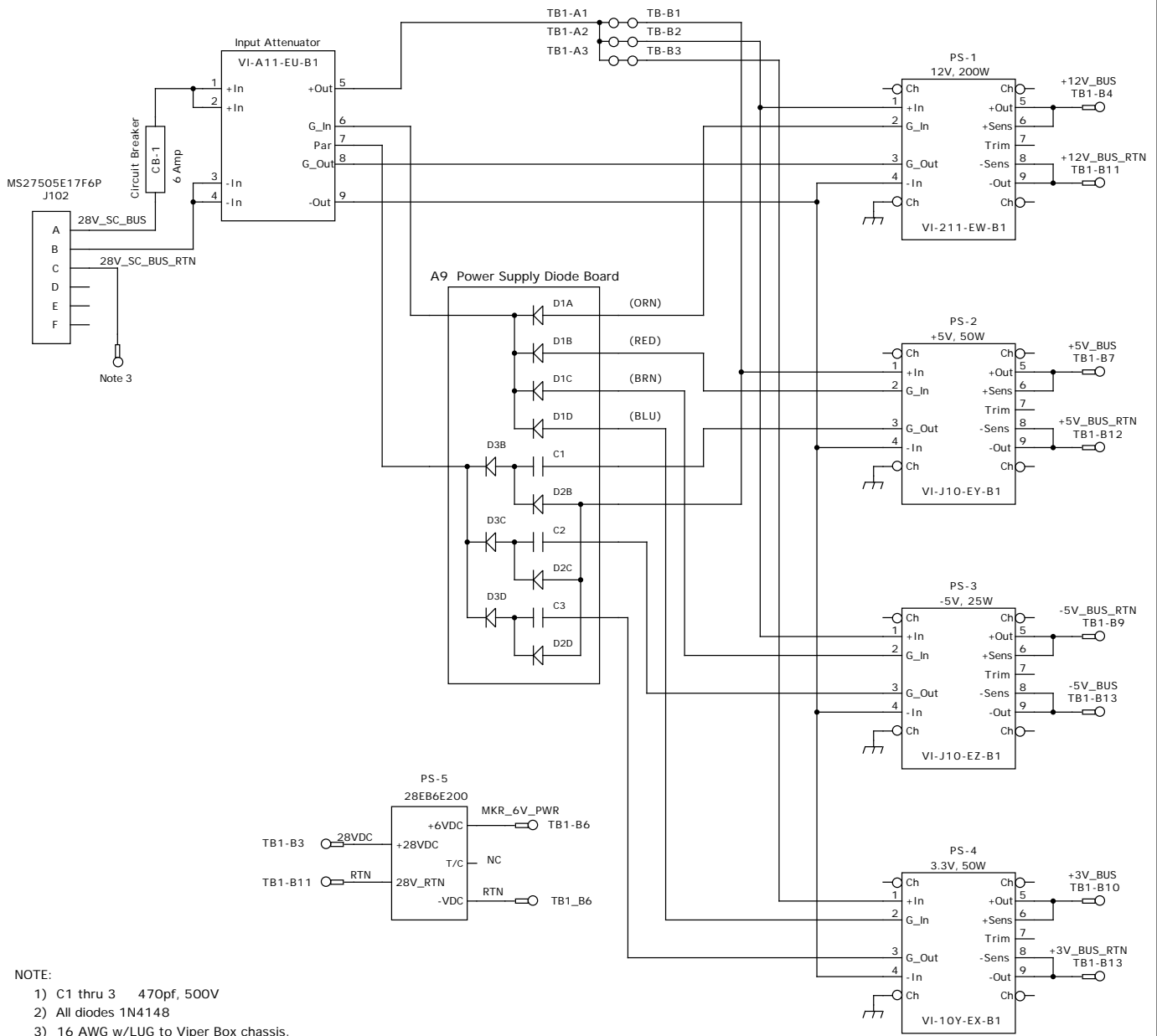


REVISIONS					
REV.	ECO NO.	DESCRIPTION	CHECKED	APPROVED	DATE
01	85-032	Initial Release		MCD	4/24/02
02	85-042	All "TB-XX" become "TB1-XX". Move +5VDC from TB1-B6 to TB1-B7. Add PS-5, 6V DC-DC converter			



- NOTE:
- 1) C1 thru 3 470pf, 500V
 - 2) All diodes 1N4148
 - 3) 16 AWG w/LUG to Viper Box chassis.

		NAME	DATE	MASSACHUSETTS INSTITUTE OF TECHNOLOGY CENTER FOR SPACE RESEARCH			
		DRAWN	M. Doucette	1/10/02	Schematic		
		CHECKED			VIPER Box Power Control & Distribution Engineering Unit		
85-35100	VOILA	APPROVED			SIZE	CODE IDENT NO.	DRAWING NO.
NEXT ASSEMBLY	USED ON	RELEASED		A	80230	85-03010.20	REV. 02
APPLICATION				SCALE	SHEET 1 OF 2		