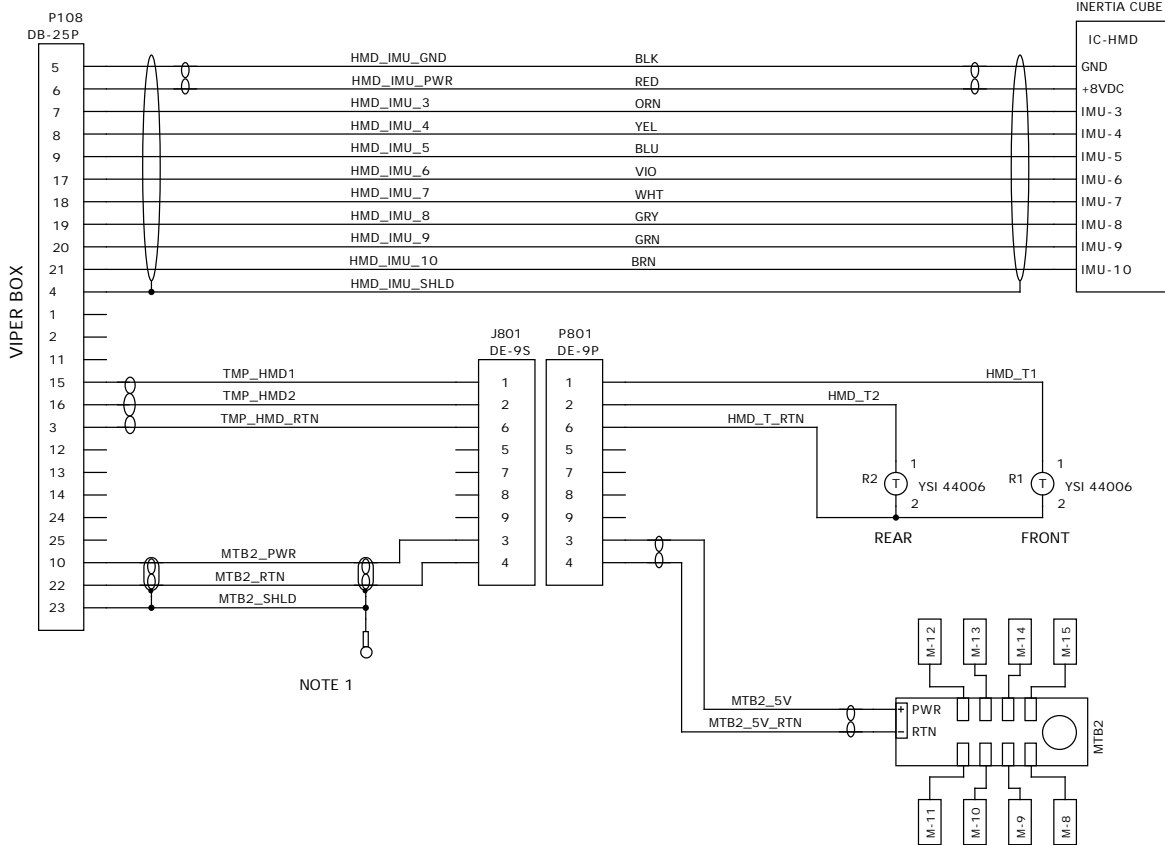


REVISIONS					
REV.	ECO NO.	DESCRIPTION	CHECKED	APPROVED	DATE
01	85-016	Preliminary Release		MCD	01/10/02
02	85-021	Add HMD thermistors R1, R2, & Terminal Block TB1.		MCD	02/22/02
03	85-024	Replace TB1 with 9-pin Dsub J801/P801.		MCD	04/08/02
04	85-043	Show location of R1 & R2 thermistors.		MCD	09/18/02



NOTE 1

NOTE:

- 1) Terminate Marker TSP-22 shield to mounting plate.

		NAME	DATE	MASSACHUSETTS INSTITUTE OF TECHNOLOGY CENTER FOR SPACE RESEARCH			
		DRAWN M. Doucette	01/10/02	Schematic			
		CHECKED		Head Mounted Display Sensors W7			
85-45807.05	VOILA	APPROVED		Engineering Unit			
NEXT ASSEMBLY	USED ON	RELEASED		SIZE A	CODE IDENT NO. 80230	DRAWING NO. 85-03010.07	REV. 04
APPLICATION				SCALE	SHEET 1 OF 1		