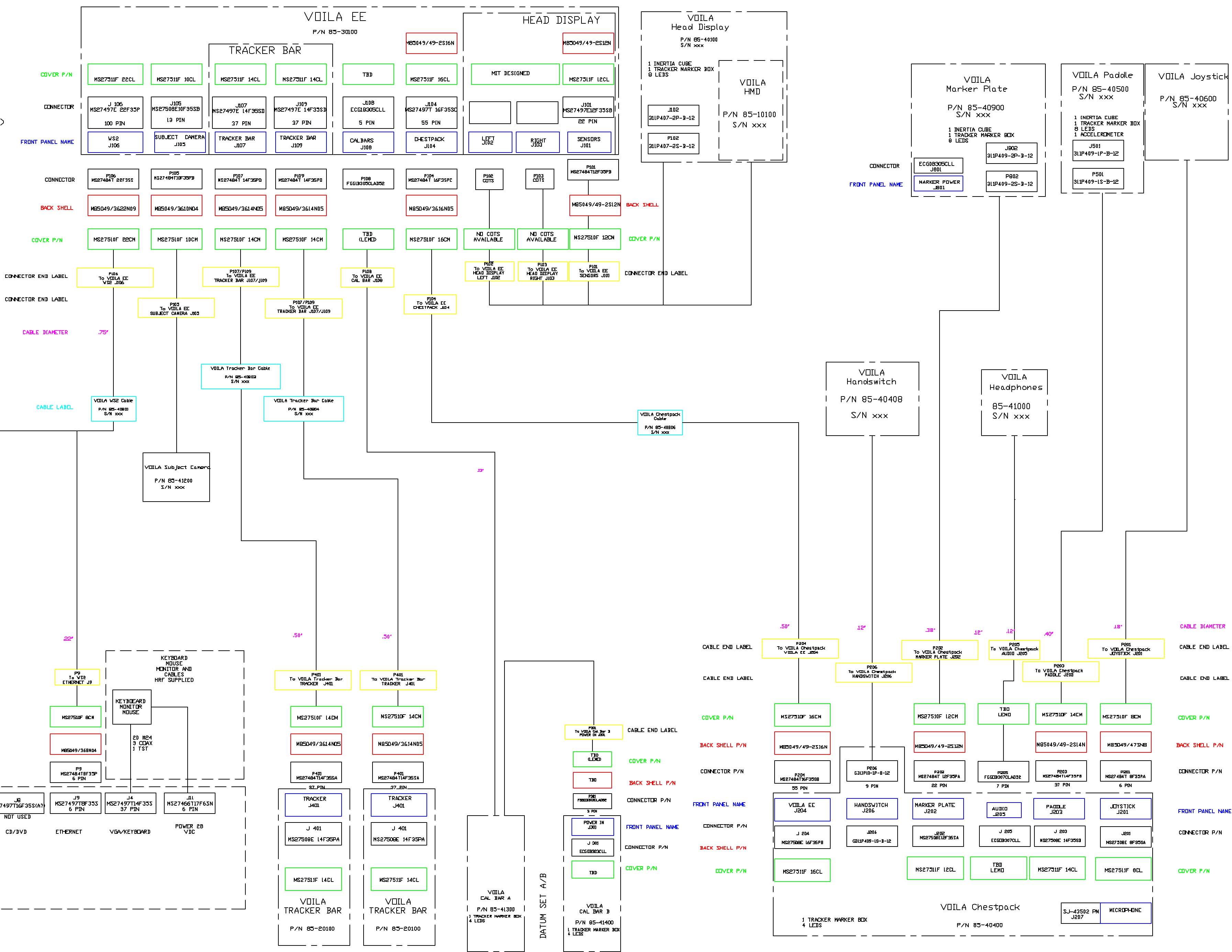


VOILA CONNECTOR LAYOUT DIAGRAM

REVISIONS						
ZONE	REV	DESCRIPTION	DESIGNED	APPROVED	DATE	
85-03	01	RELEASE FOR TRAINING UNIT				
85-05	02	CHANGE KEYING ON J/P027 AND J/P164 AND J/P205				
85-06	03	MOVE WIREING TO DATUM SETS AND ADD ADD-ON LEAD CONNECTORS				
85-08	04	IDENTIFY NET BSL ADD-ON CONNECTOR P/N				
85-10	05	CHANGE SUP ON CONNECTOR P/N TYPES				
85-14	A	ADD PARALLEL AND COVER TO THE LEAD CONNECTOR PANEL TO TRAINING STATUS				

- NOTES:
- 23 CABLE CONNECTIONS;
A. 18 38999 CONNECTORS
B. 2 LVDS
C. 3 LEMO
 - LARGEST CONNECTOR IS J204, 100 PINS.
 - 2 POINT TO POINT CABLES
 - 1 SPIDER CABLE
 - 7 FABED ASSEMBLIES WITH CABLE AND CONNECTOR AT ONE END.
(HANDSWITCH WITH CABLE IS PERMANENTLY ATTACHED TO CHESTPACK)
 - SERIAL NUMBERS START WITH "100" FOR TRAINING UNIT AND "300" FOR FLIGHT UNITS.

USED FOR A/D TRIGGER.



OTHER ASSEMBLIES IN THE VOILA SYSTEM

- POLE ASSEMBLY 85-40700
- SUBJECT RESTRAINT PLATFORM 85-40300
- SUBJECT RESTRAINT VEST SEG46119738-301
- RESTRAINT SPRING SEG46119710-301

UNLESS OTHERWISE SPECIFIED DIMENSIONS ARE IN INCHES TOLERANCE: ANGLES +/- .1° 3 PLACE DECIMALS +/- .005 2 PLACE DECIMALS +/- .01		NAME	DATE	Massachusetts Institute of Technology Center for Space Research VOILA PROJECT	
MATERIAL N/A		DRAWN		BLOCK DIAGRAM CONNECTOR LAYOUT	
N/A		CHECKED		SIZE E	
NEXT ASSEMBLY USED ON		APPROVED		FSCM NO. 80230	
APPLICATION		RELEASED		DWG NO. 85-03002.04	
		CAD FILE		REV A	
				SCALE NONE	
				SHEET 1 OF 1	