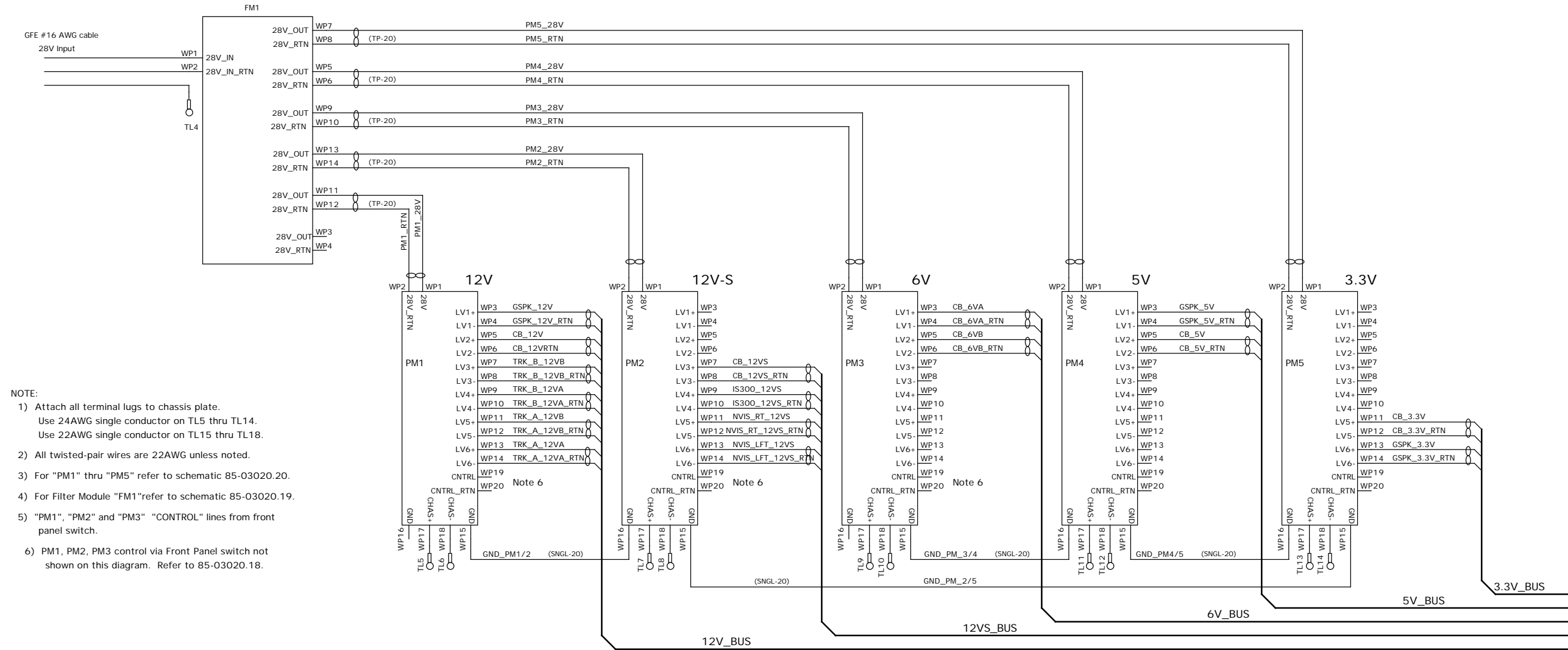


REVISIONS					
REV.	ECO NO.	DESCRIPTION	CHECKED	APPROVED	DATE
A	85-128	Initial release.	RFG	RF	7/15/04

VEE INTERNAL UNITS



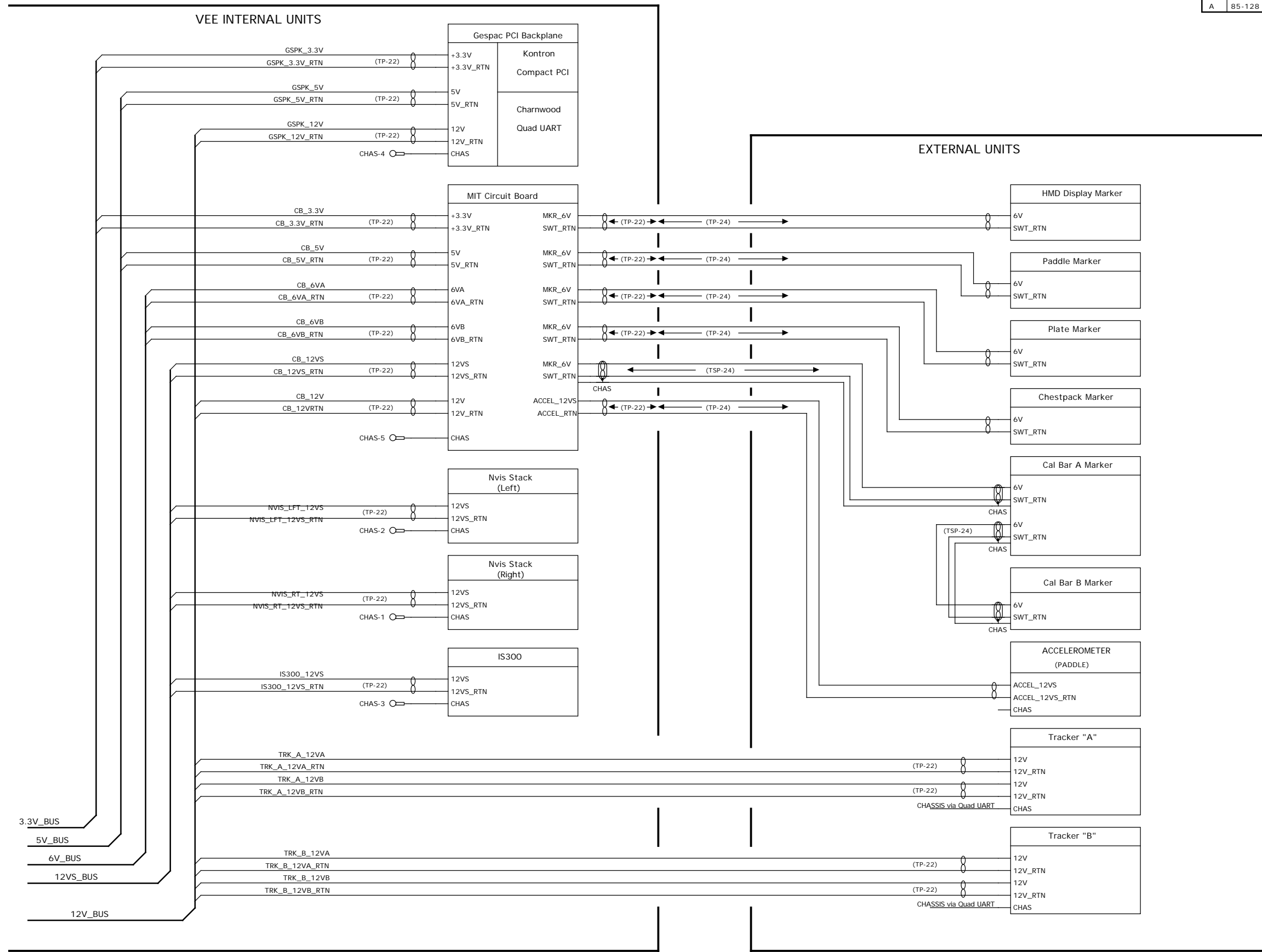
- NOTE:
- 1) Attach all terminal lugs to chassis plate.
Use 24AWG single conductor on TL5 thru TL14.
Use 22AWG single conductor on TL15 thru TL18.
 - 2) All twisted-pair wires are 22AWG unless noted.
 - 3) For "PM1" thru "PM5" refer to schematic 85-03020.20.
 - 4) For Filter Module "FM1" refer to schematic 85-03020.19.
 - 5) "PM1", "PM2" and "PM3" "CONTROL" lines from front panel switch.
 - 6) PM1, PM2, PM3 control via Front Panel switch not shown on this diagram. Refer to 85-03020.18.

POWER MODULE DC-DC CONVERTERS			
PM#	Voltage	Watt	Vicor P/N
PM1	12V	50W	MI-J21-1Y
PM2	12V Switched	50W	MI-J21-1Y
PM3	6V	25W	MI-J2T-1Z
PM4	5V	25W	MI-J2O-1Z
PM5	3.3V	25W	MI-J2Y-1Z

FILTER MODULE	
FM1	Advanced Analog AME28461W/HB

		NAME	DATE	MASSACHUSETTS INSTITUTE OF TECHNOLOGY CENTER FOR SPACE RESEARCH			
		DRAWN M. Doucette	07/13/04	Block Diagram Power System & Distribution Flight Unit			
		CHECKED R.F. Goeke	7/15/04				
85-30100	VOILA EE	APPROVED R. Foster	7/15/04				
NEXT ASSEMBLY	USED ON	RELEASED D. Gage	7/15/04	SIZE B	CODE IDENT NO. 80230	DRAWING NO. 85-03001.05	REV. A
APPLICATION				SCALE	SHEET 1 OF 2		

REVISIONS					
REV.	ECO NO.	DESCRIPTION	CHECKED	APPROVED	DATE
A	85-128	Initial Release	RFG	RF	7/15/04



MASSACHUSETTS INSTITUTE OF TECHNOLOGY CENTER FOR SPACE RESEARCH			
Block Diagram Power System & Distribution Flight Unit			
SIZE	CODE IDENT NO.	DRAWING NO.	REV.
B	80230	85-03001.05	A
SCALE		SHEET 2 OF 2	