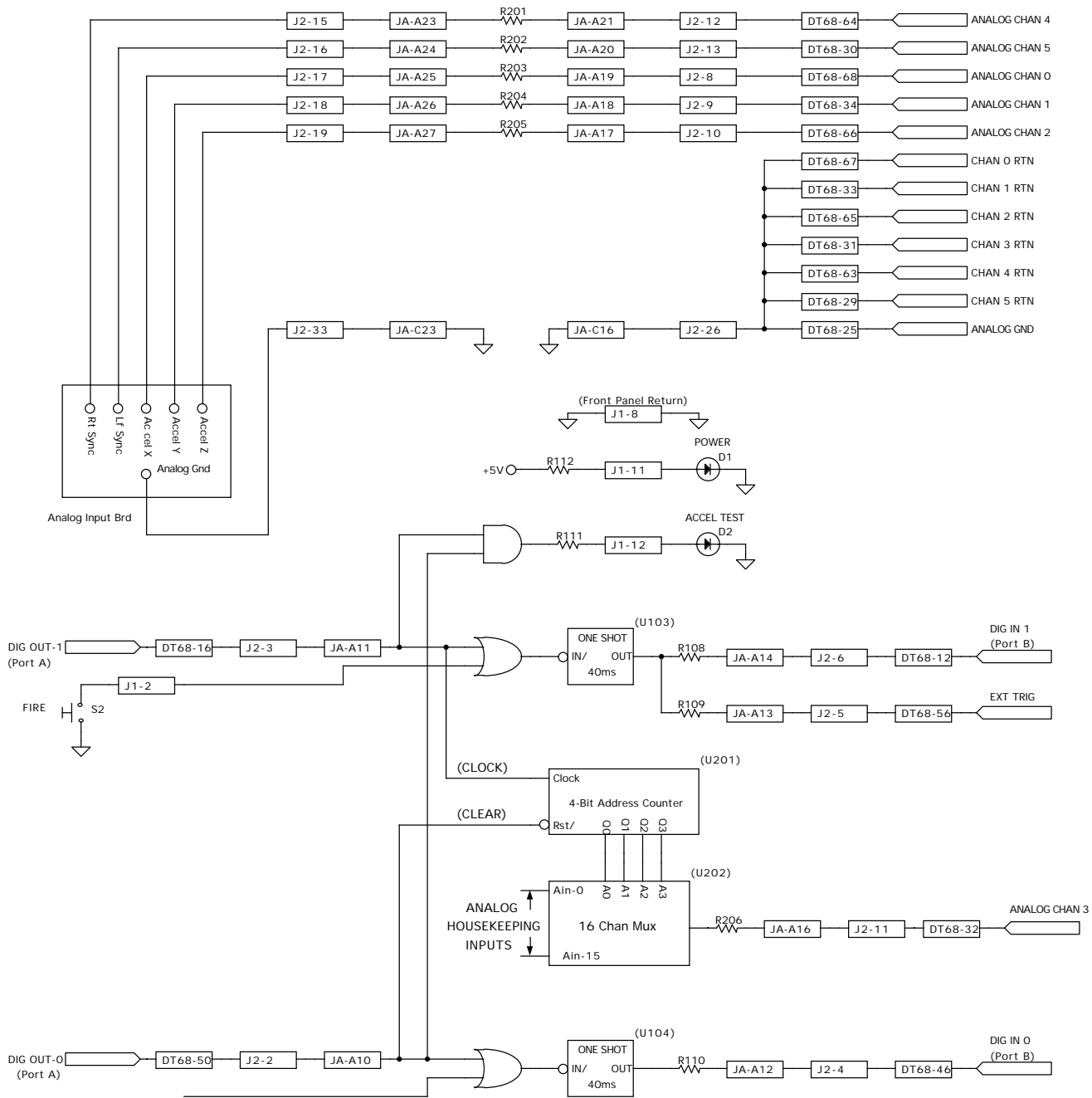
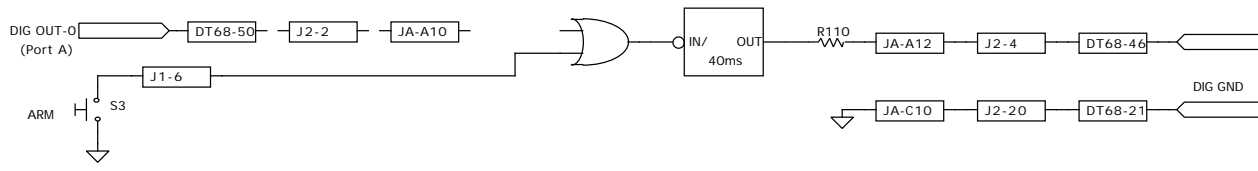


REVISIONS					
REV.	ECO NO.	DESCRIPTION	CHECKED	APPROVED	DATE
01	85-041	Initial release.			





- J1: Connections to the front panel.
- J2: 37-pin D-sub, to analog input board and Data Translation Screw Terminal board.
- JA: Bicc Vero edge connections.

		NAME	DATE	MASSACHUSETTS INSTITUTE OF TECHNOLOGY CENTER FOR SPACE RESEARCH				
		DRAWN	M. Doucette	6/25/02	Block Diagram Paddle A/D Simulator, GSE			
		CHECKED						
	VOILA	APPROVED						
NEXT ASSEMBLY	USED ON	RELEASED			SIZE	CODE IDENT NO.	DRAWING NO.	REV.
					A	80230	85-03001.03	01
APPLICATION					SCALE	SHEET 1 OF 1		