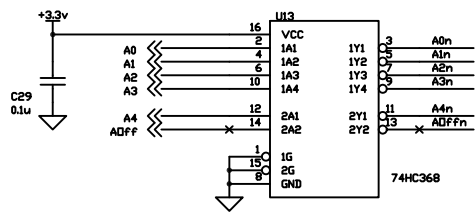
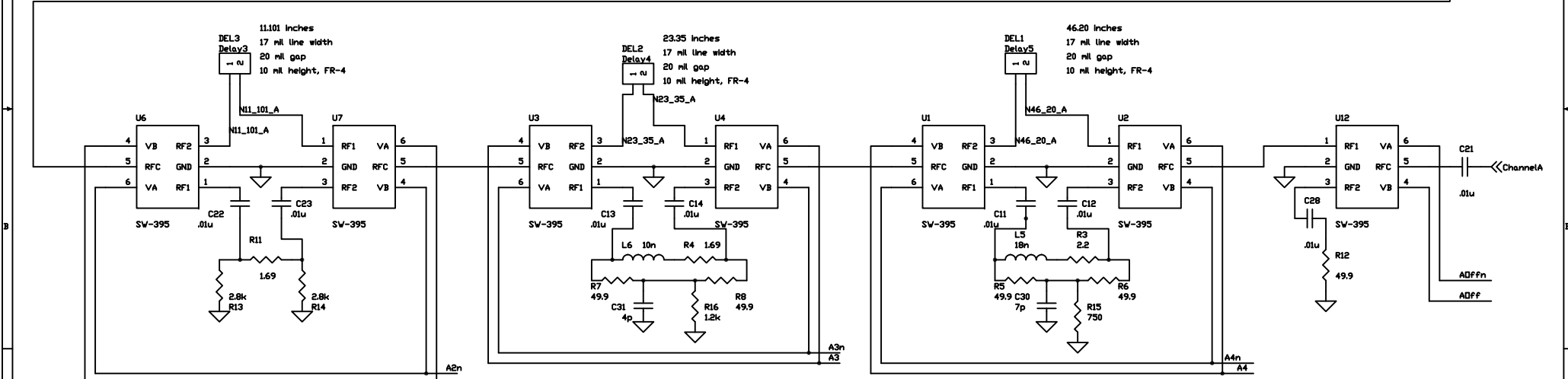
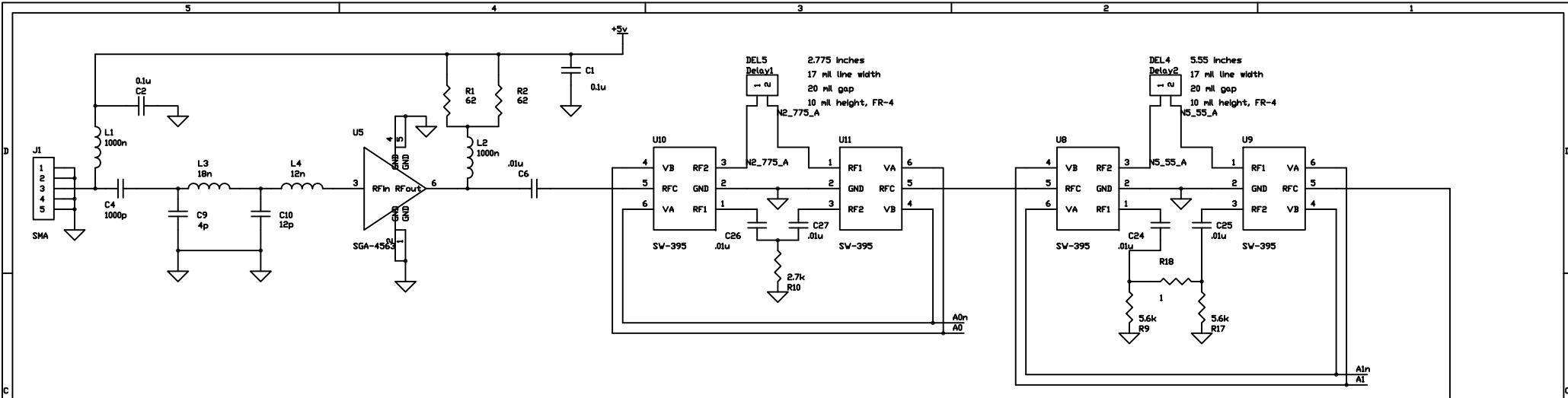
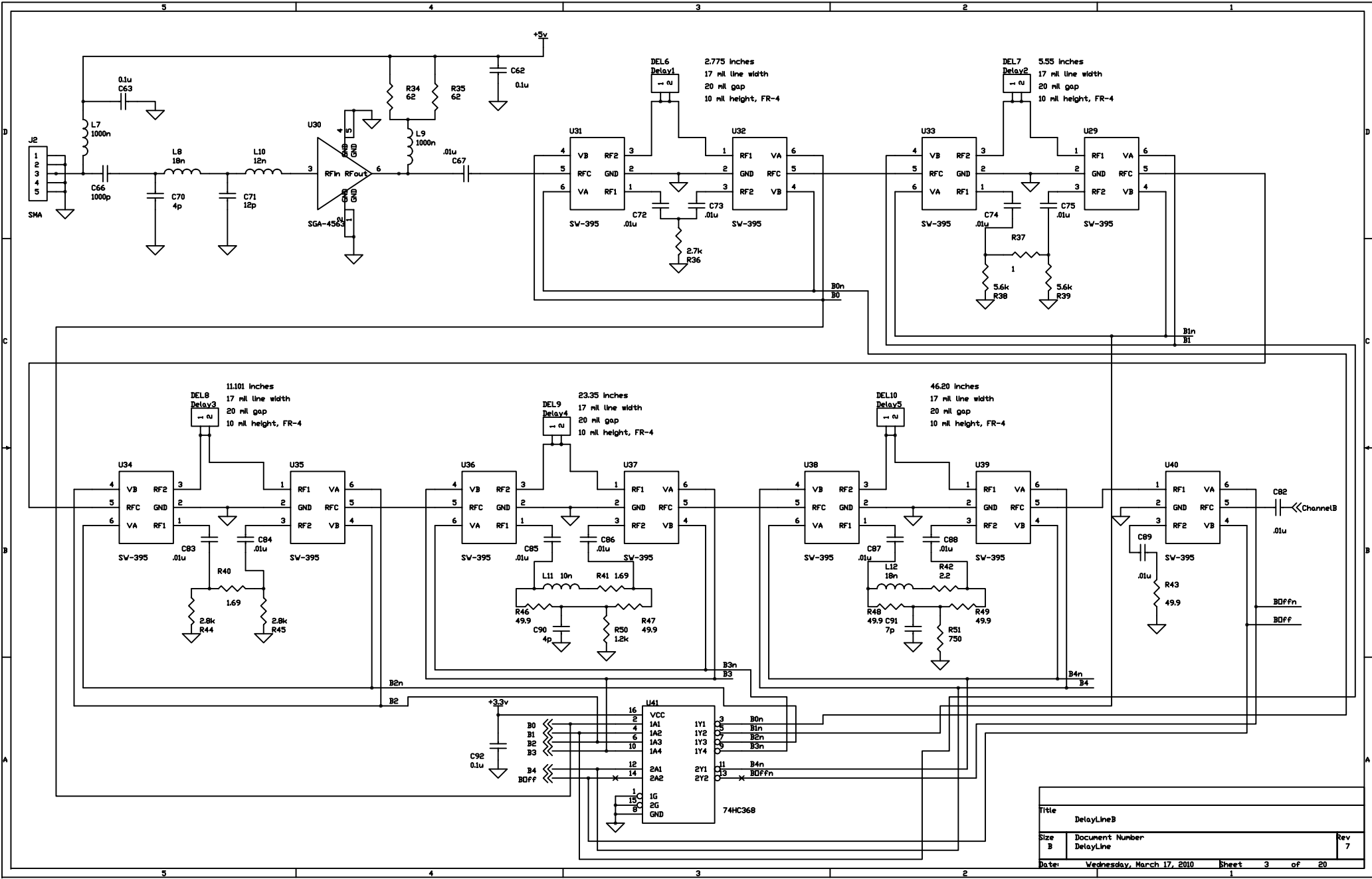


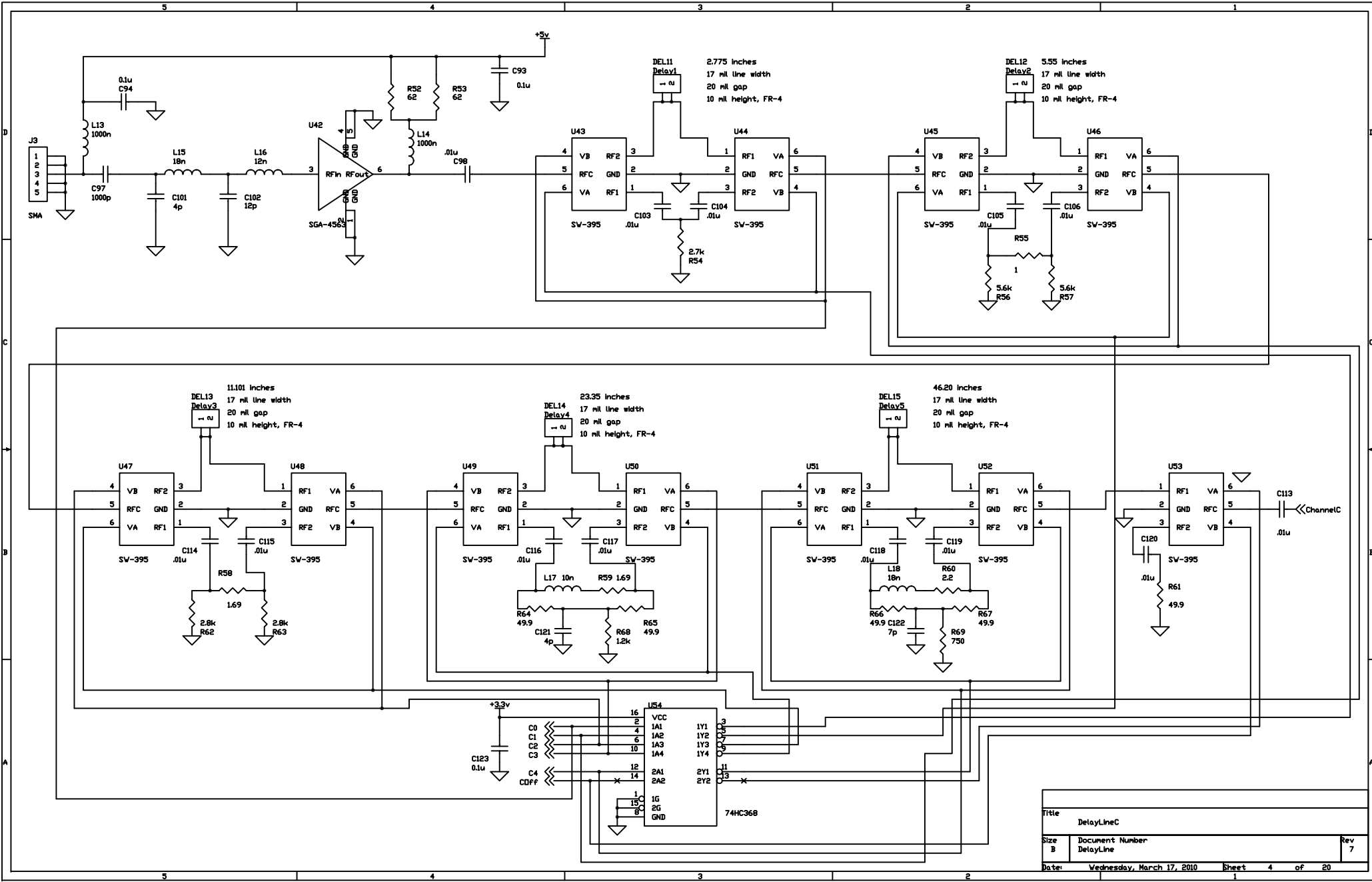
Title		
16-way combiner		
Size	Document Number	Rev
B	Delayline	7
Date:	Thursday, January 28, 2010	Sheet 1 of 20



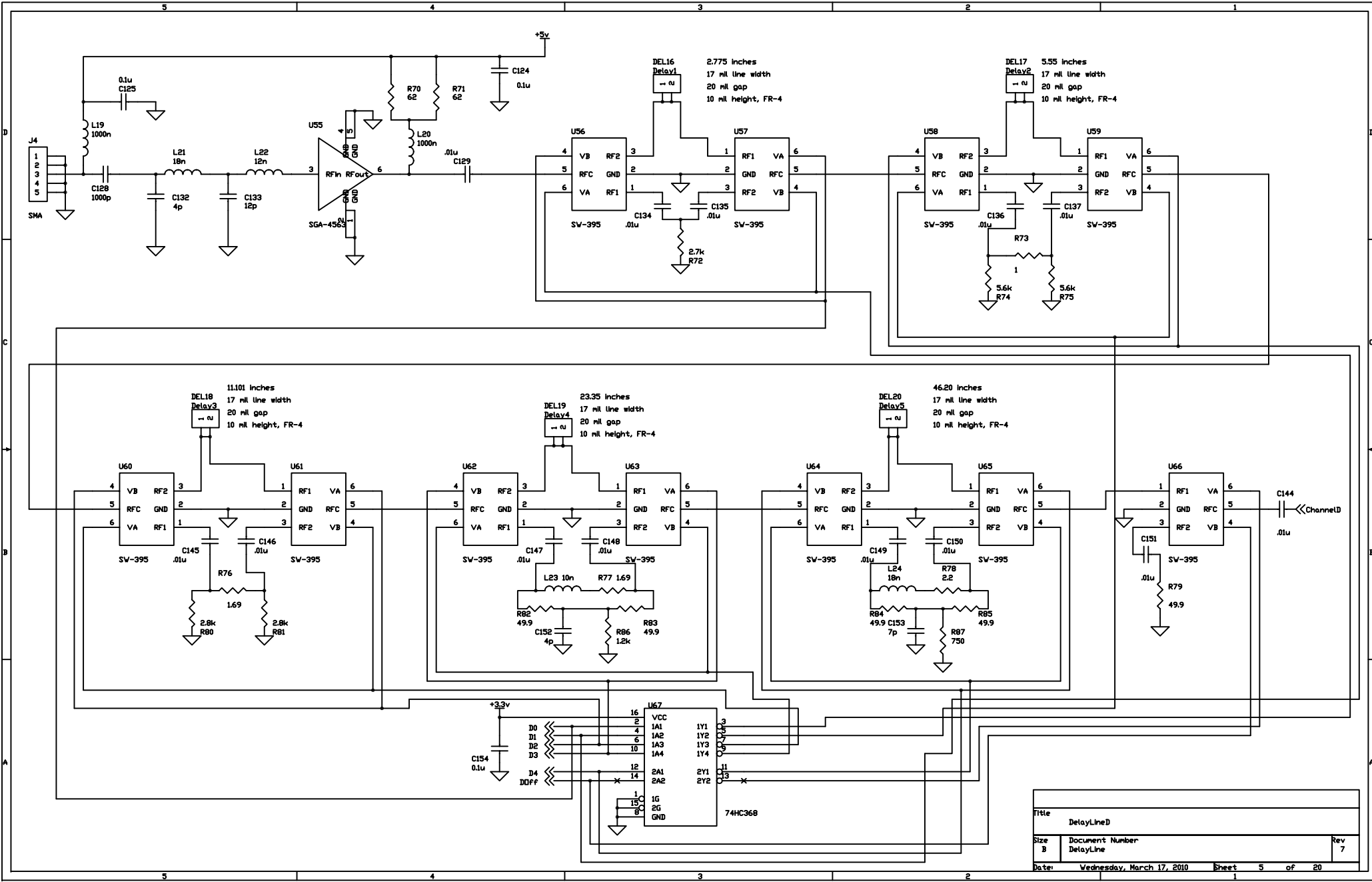
Title		
DelayLineA		
Size	Document Number	Rev
B	DelayLine	7
Date:	Tuesday, April 06, 2010	Sheet 2 of 20



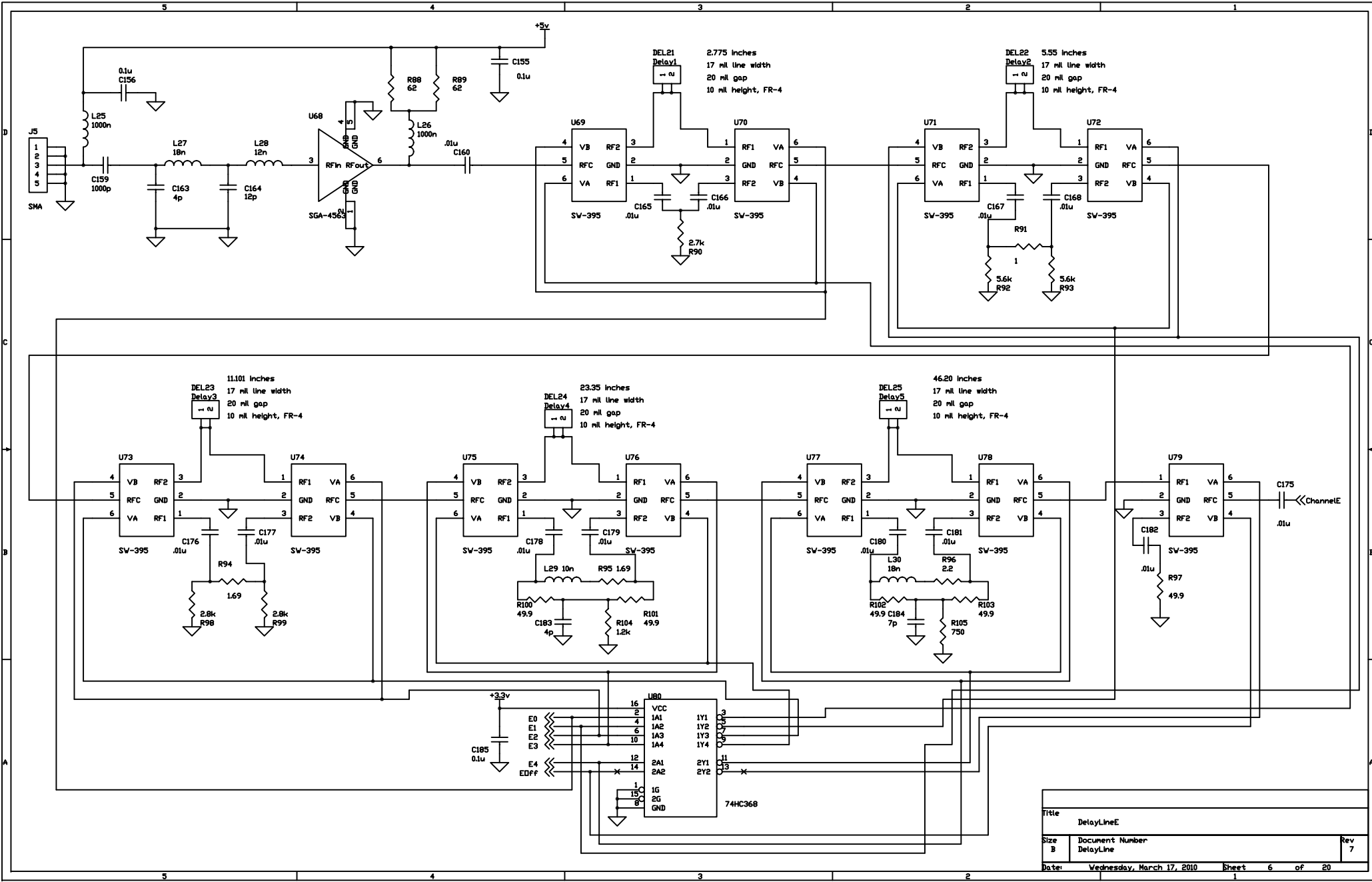
Title			DelayLineB		
Size	Document Number		Rev		
	DelayLine		7		
Date:	Wednesday, March 17, 2010	Sheet	3	of	20



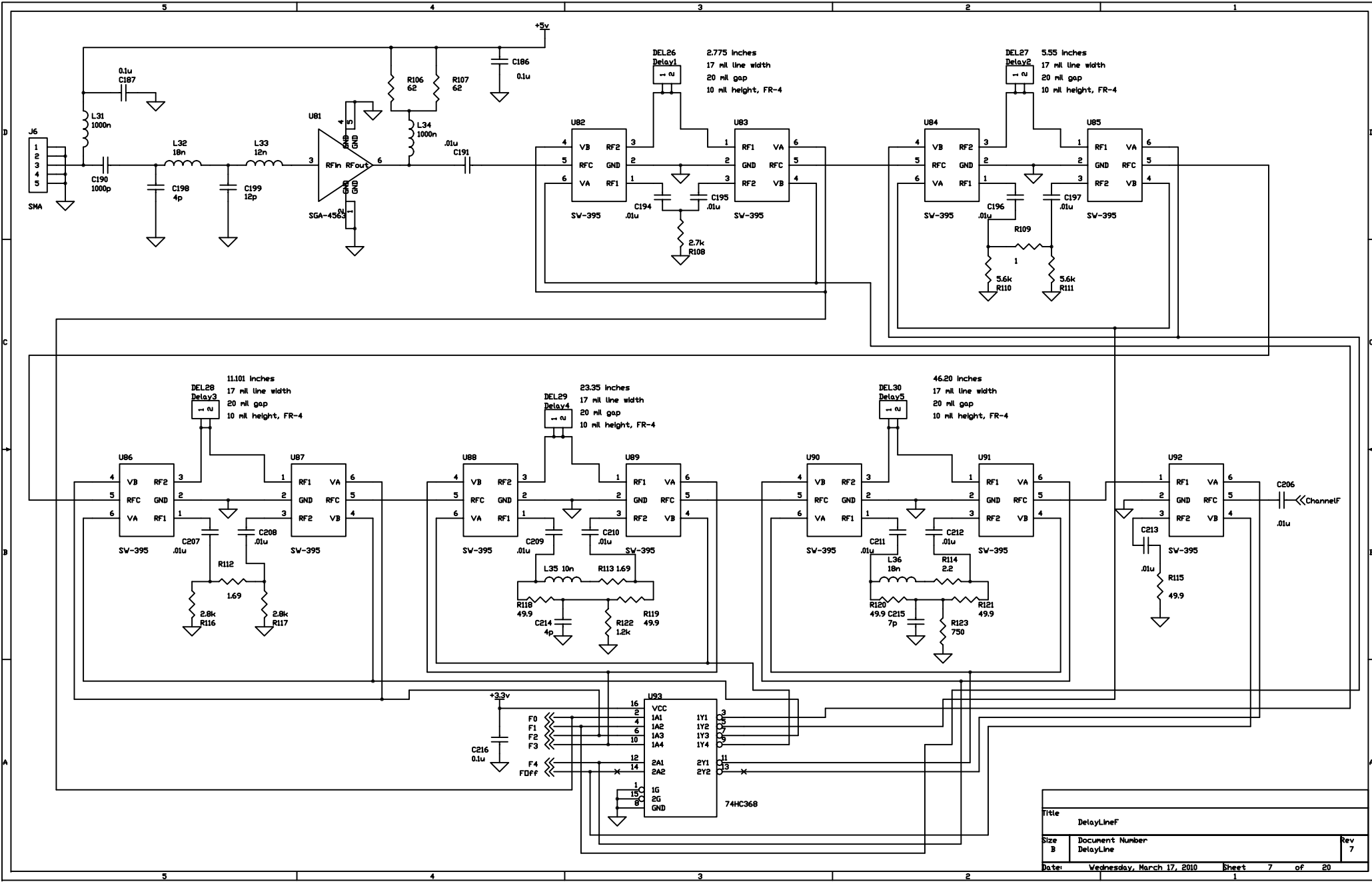
Title		
DelayLineC		
Size	Document Number	Rev
B	DelayLine	7
Date:	Wednesday, March 17, 2010	Sheet 4 of 20



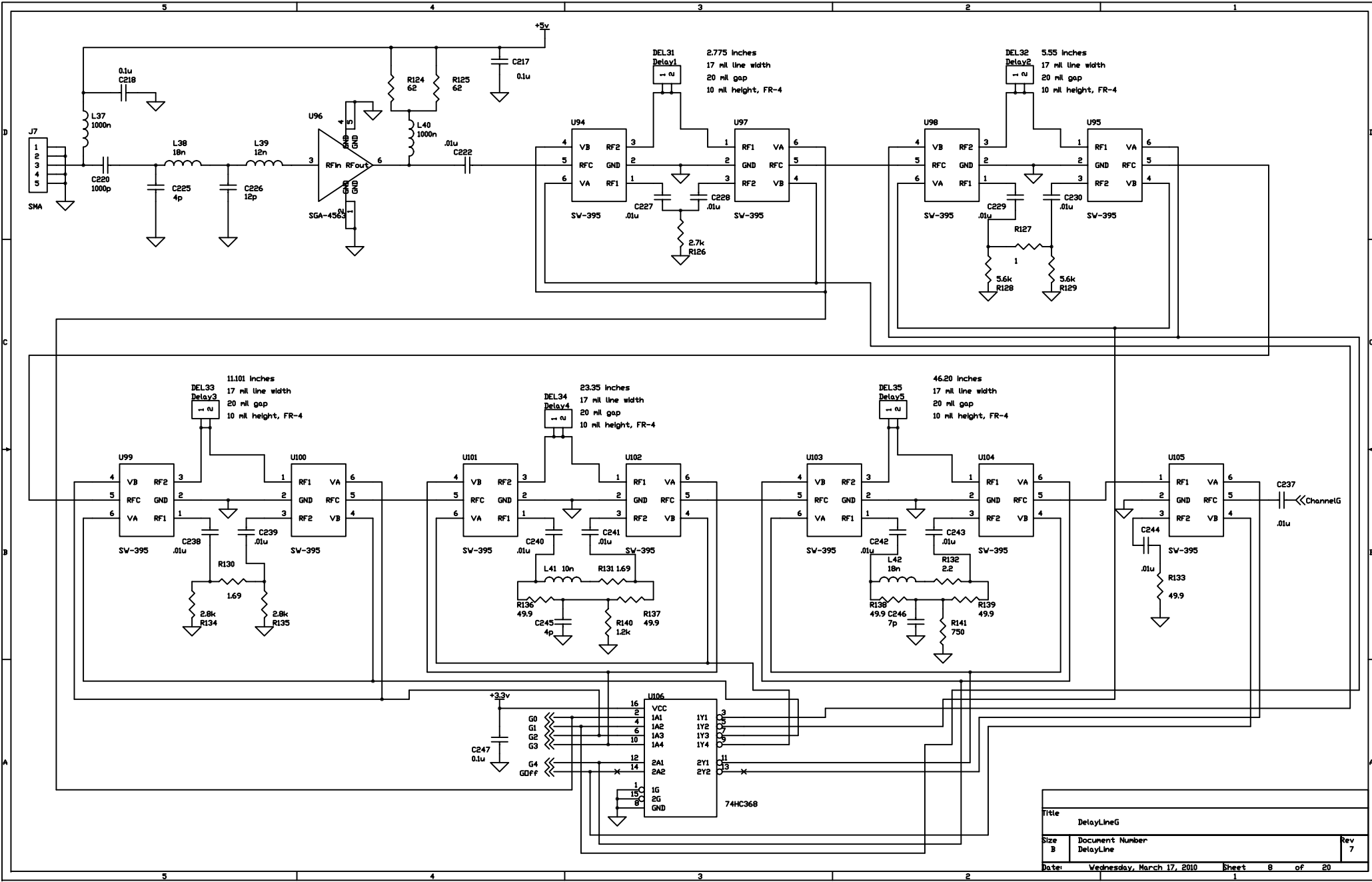
Title		
DelayLineD		
Size	Document Number	Rev
B	DelayLine	7
Date:	Wednesday, March 17, 2010	Sheet 5 of 20



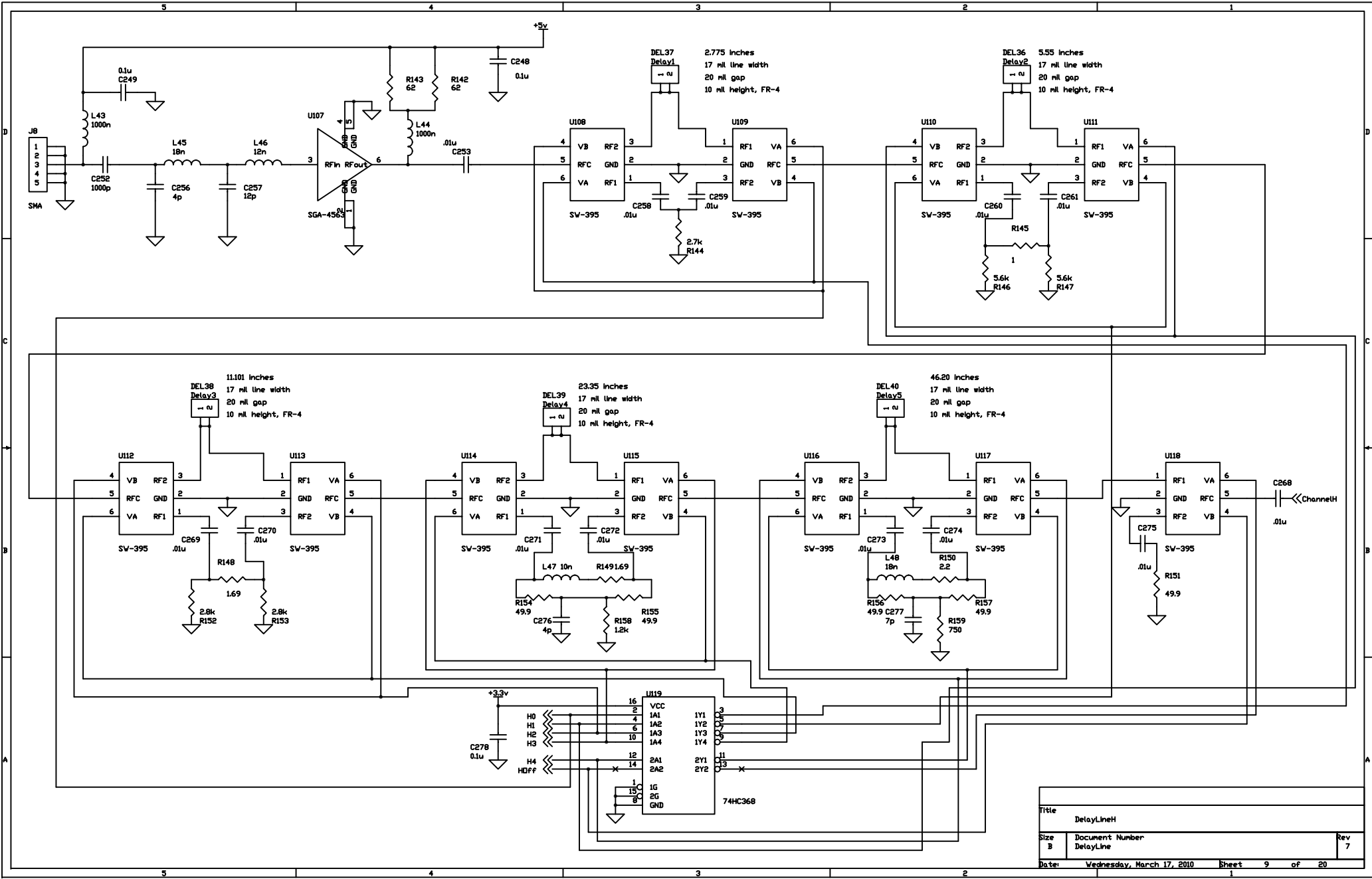
Title			DelayLineE
Size	Document Number		Rev
B	DelayLine		7
Date:	Wednesday, March 17, 2010	Sheet	6 of 20



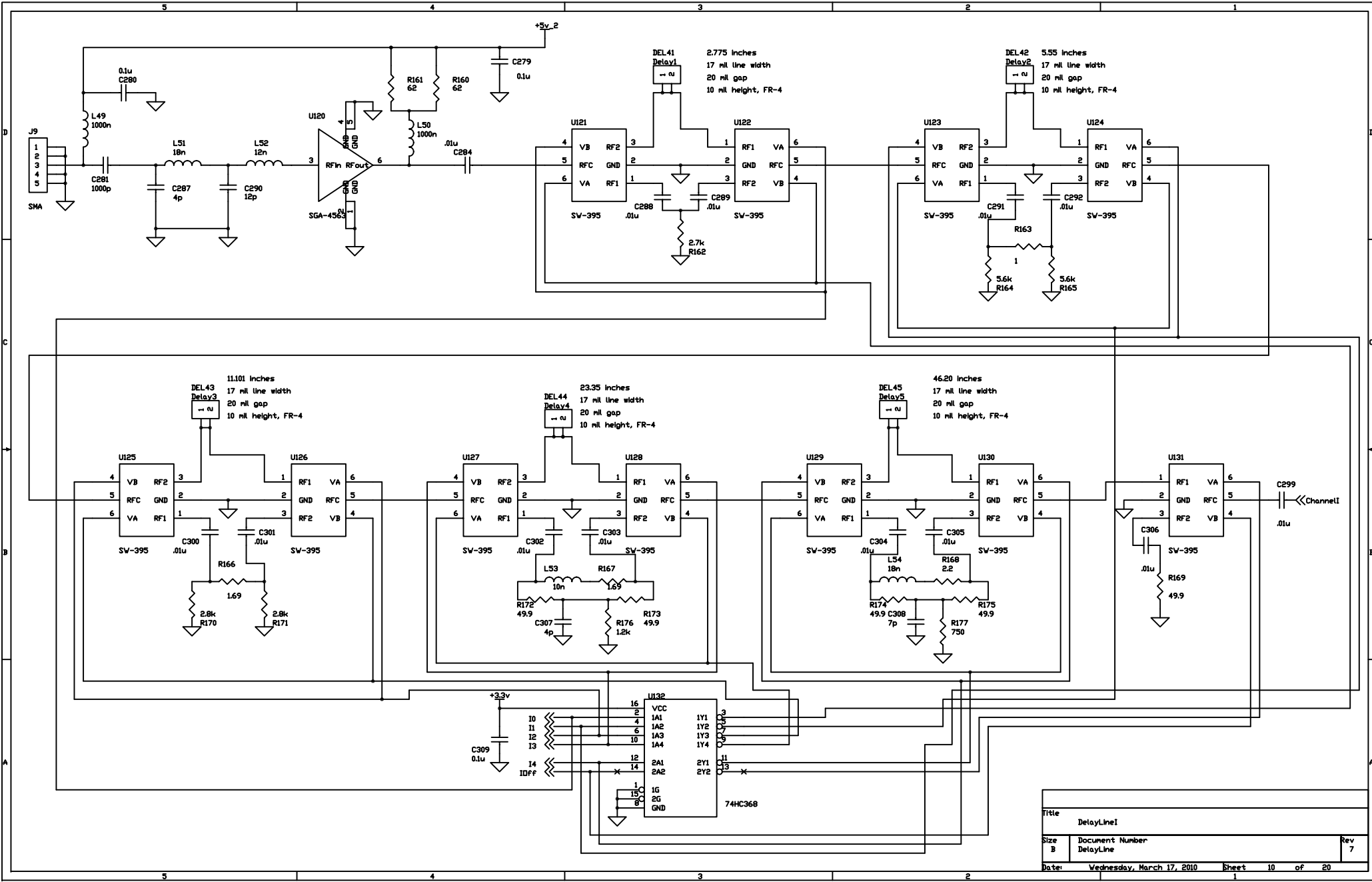
Title		
DelayLineF		
Size	Document Number	Rev
B	DelayLine	7
Date:	Wednesday, March 17, 2010	Sheet 7 of 20



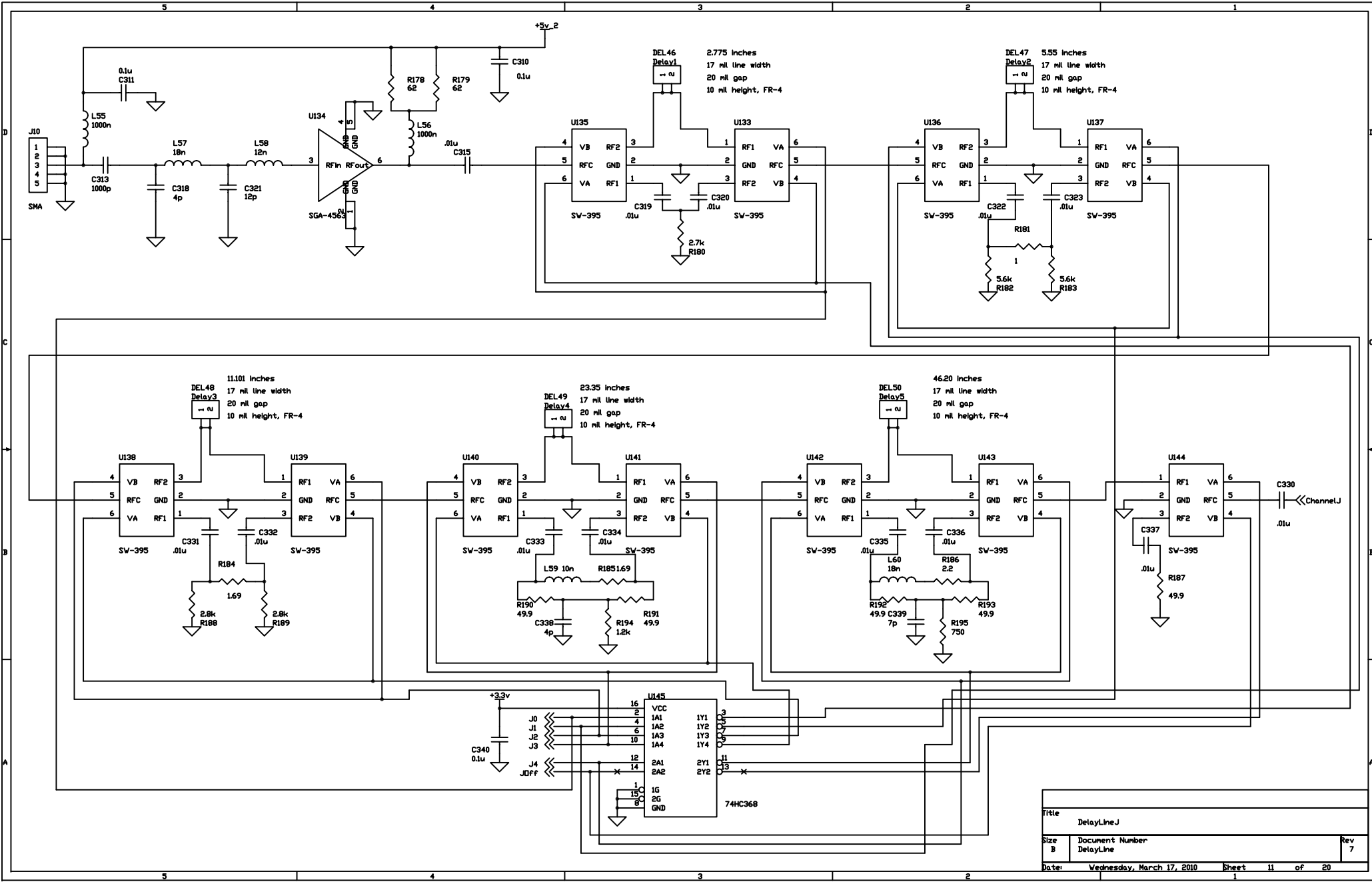
Title		
DelayLineG		
Size	Document Number	Rev
B	DelayLine	7
Date:	Wednesday, March 17, 2010	Sheet 8 of 20



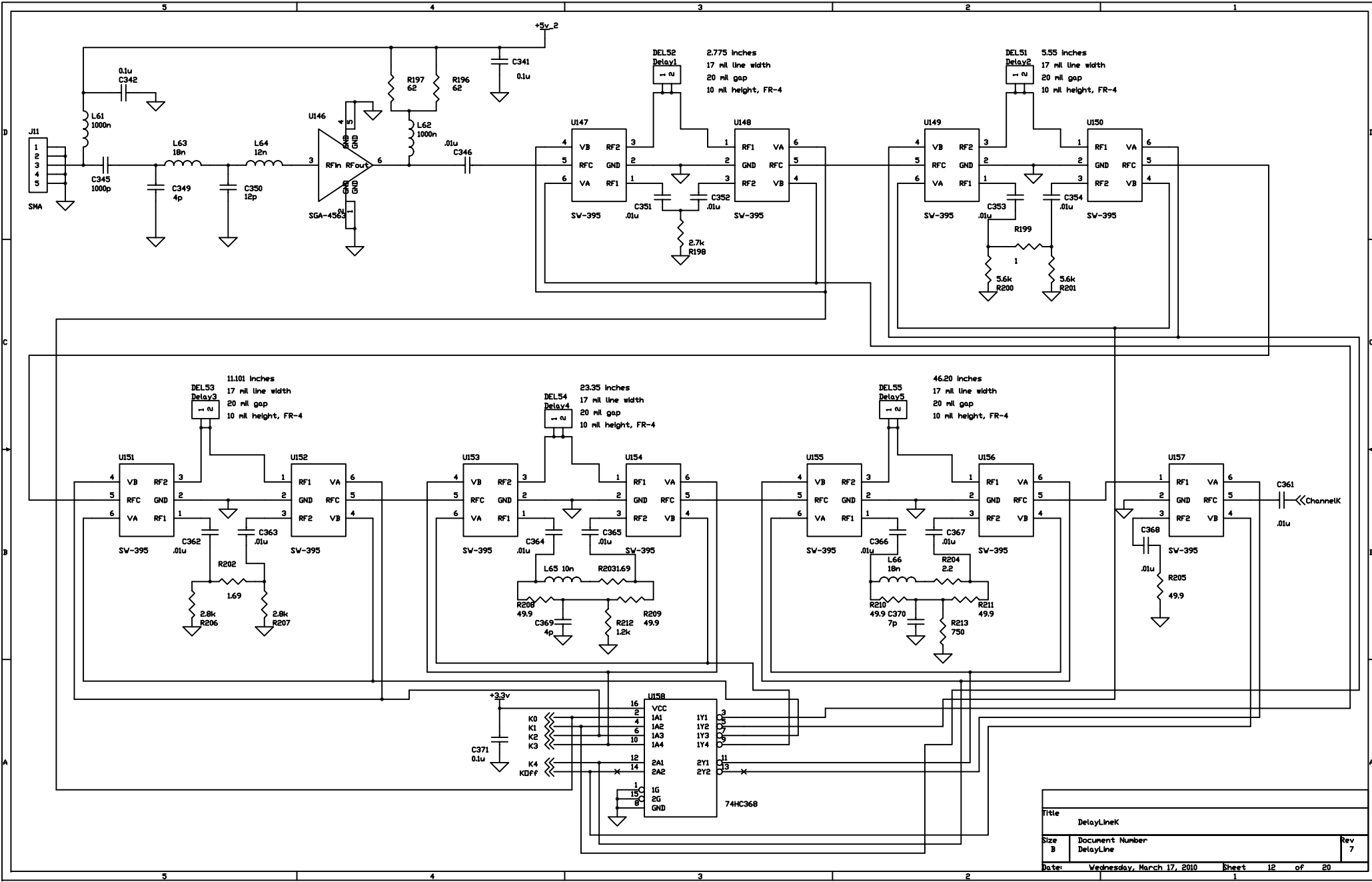
Title		
DelayLineH		
Size	Document Number	Rev
B	DelayLine	7
Date:	Wednesday, March 17, 2010	Sheet 9 of 20



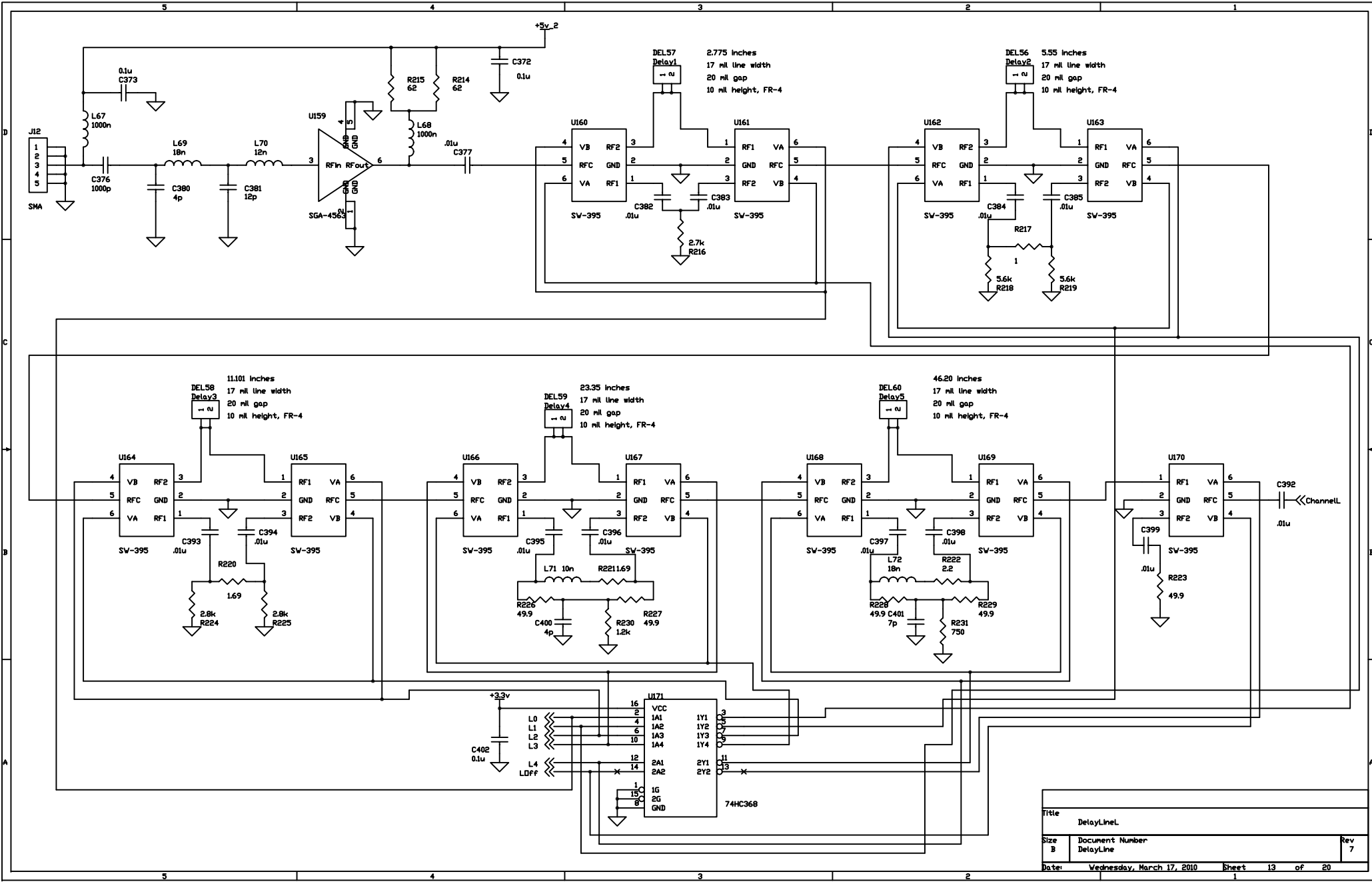
Title		
DelayLine1		
Size	Document Number	Rev
B	DelayLine	7
Date:	Wednesday, March 17, 2010	Sheet 10 of 20



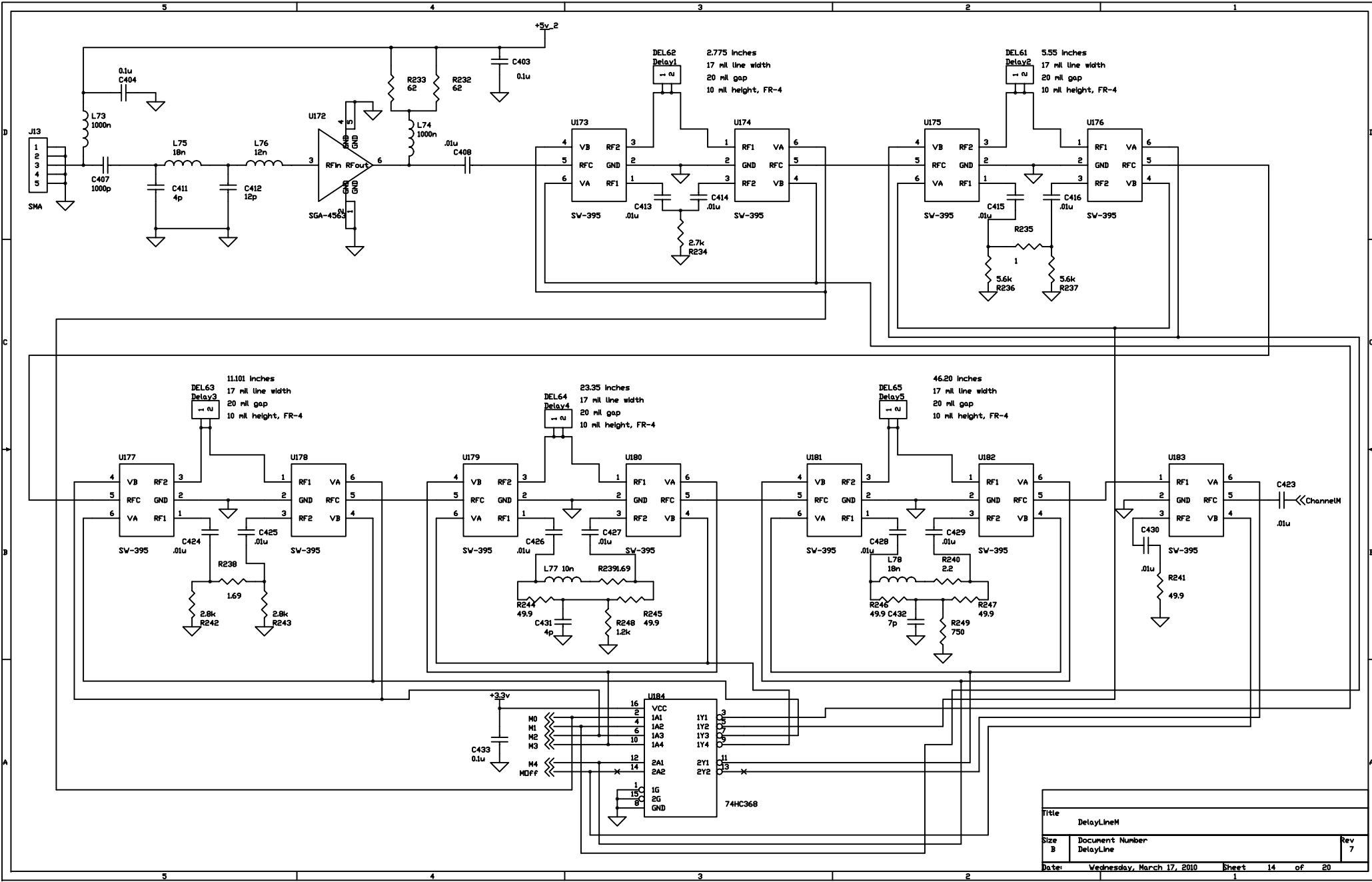
Title		DelayLineJ
Size	Document Number	DelayLine
B		Rev 7
Date:	Wednesday, March 17, 2010	Sheet 11 of 20



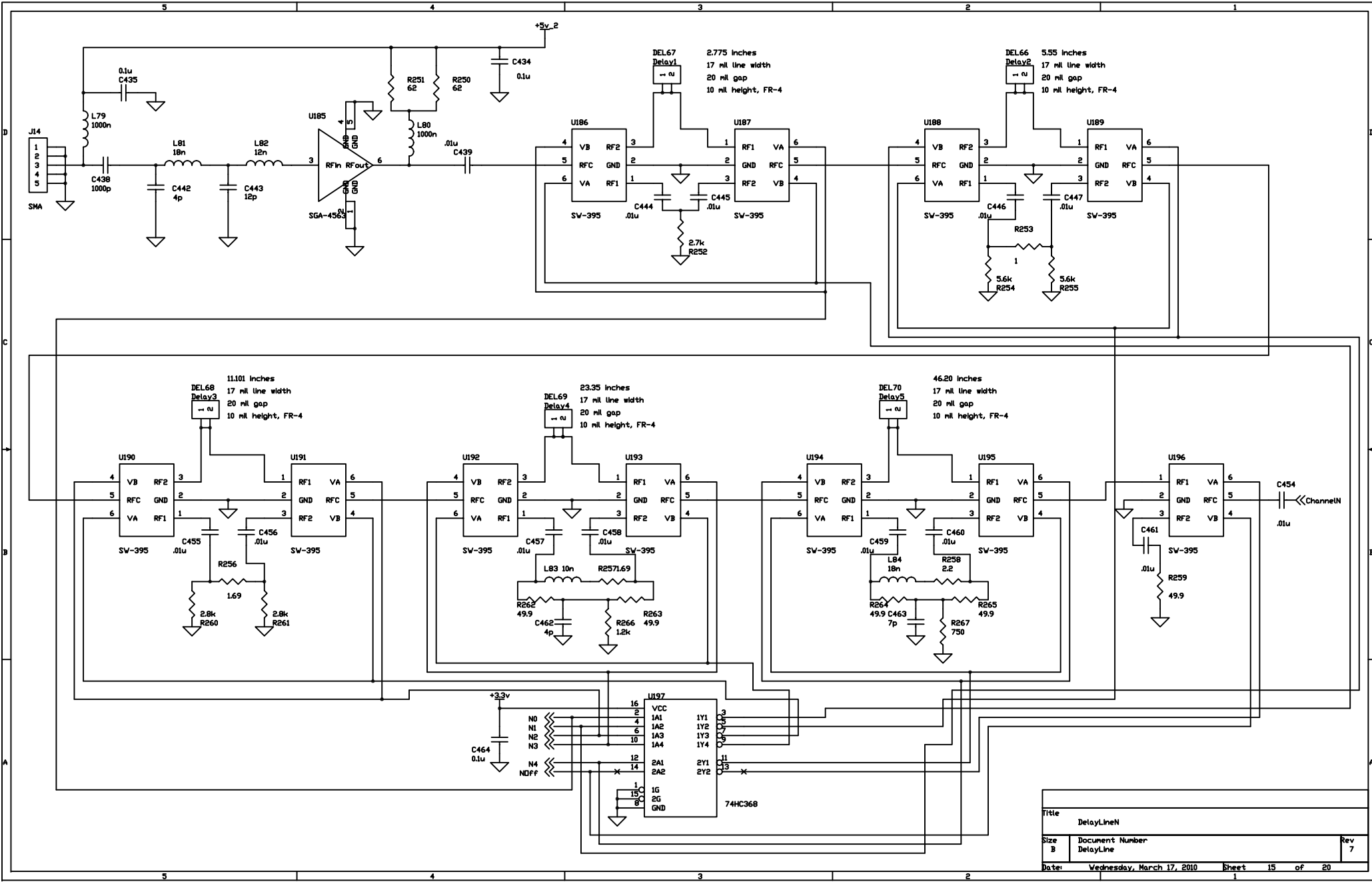
Title		
DelayLineK		
Size	Document Number	Rev
B	DelayLine	7
Date:	Wednesday, March 17, 2010	Sheet 12 of 20



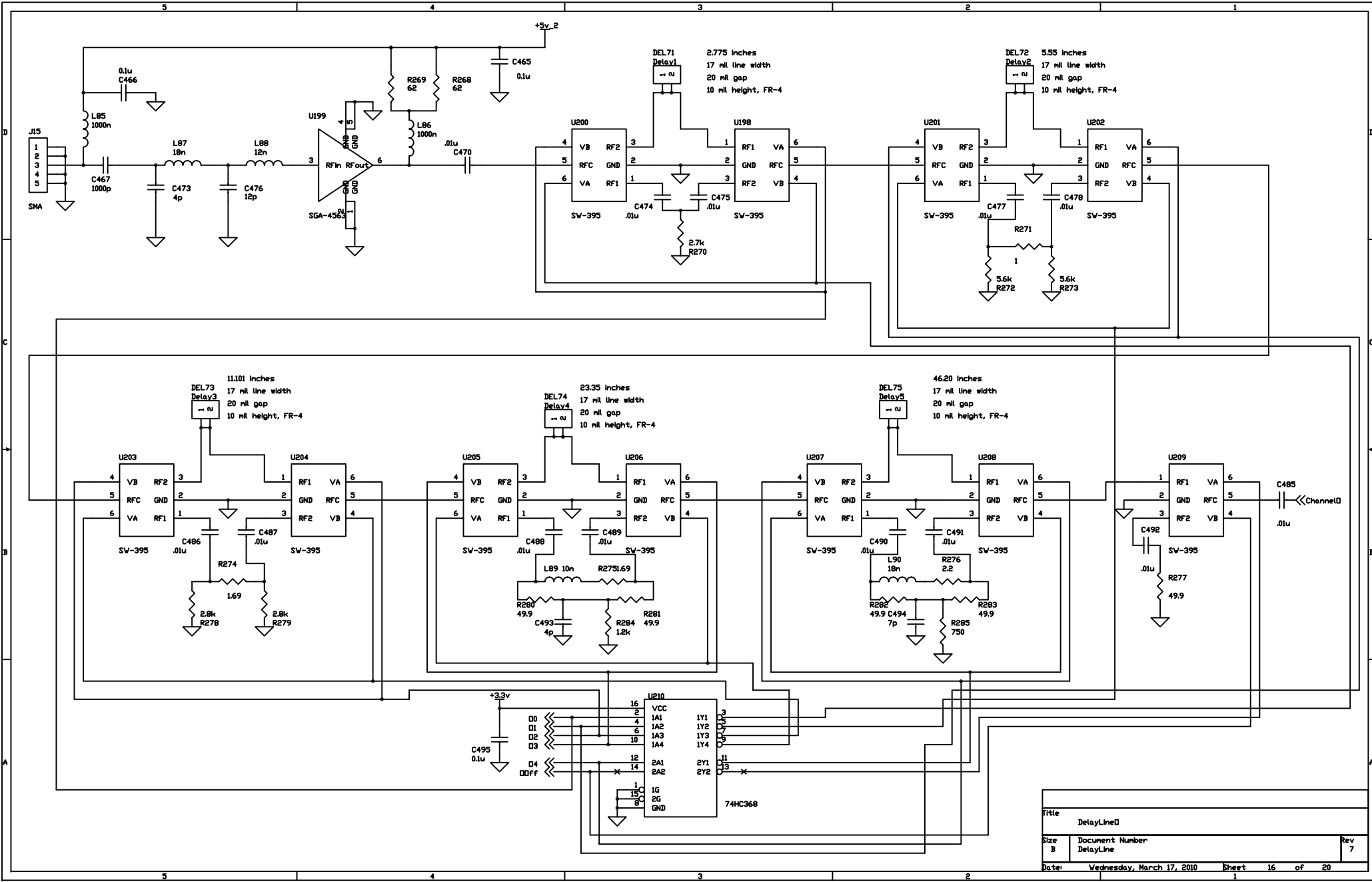
Title		DelayLineL
Size	Document Number	Rev
B	DelayLine	7
Date:	Wednesday, March 17, 2010	Sheet 13 of 20



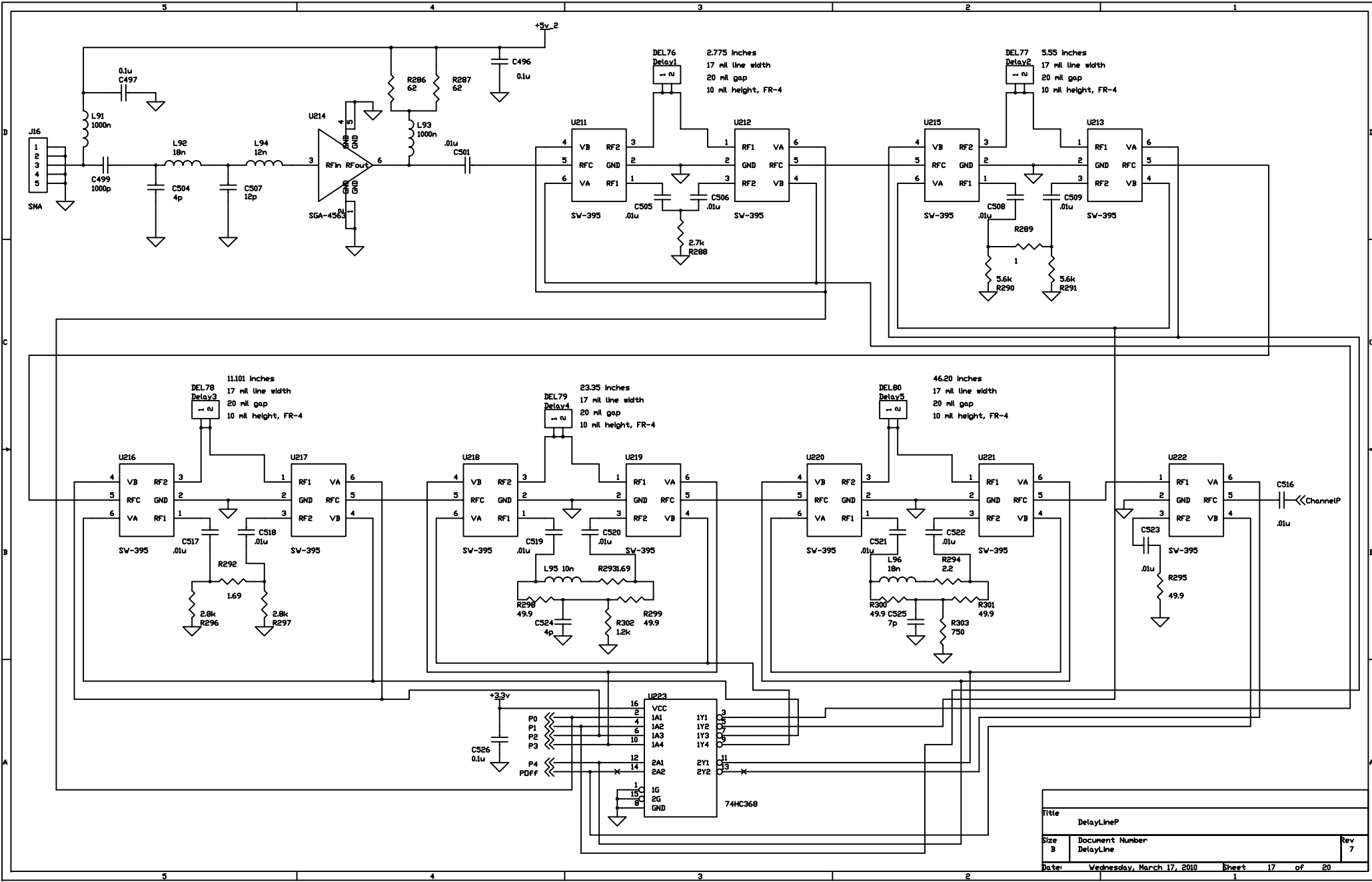
Title		DelayLineM
Size	Document Number	Rev
B	DelayLine	7
Date:	Wednesday, March 17, 2010	Sheet 14 of 20



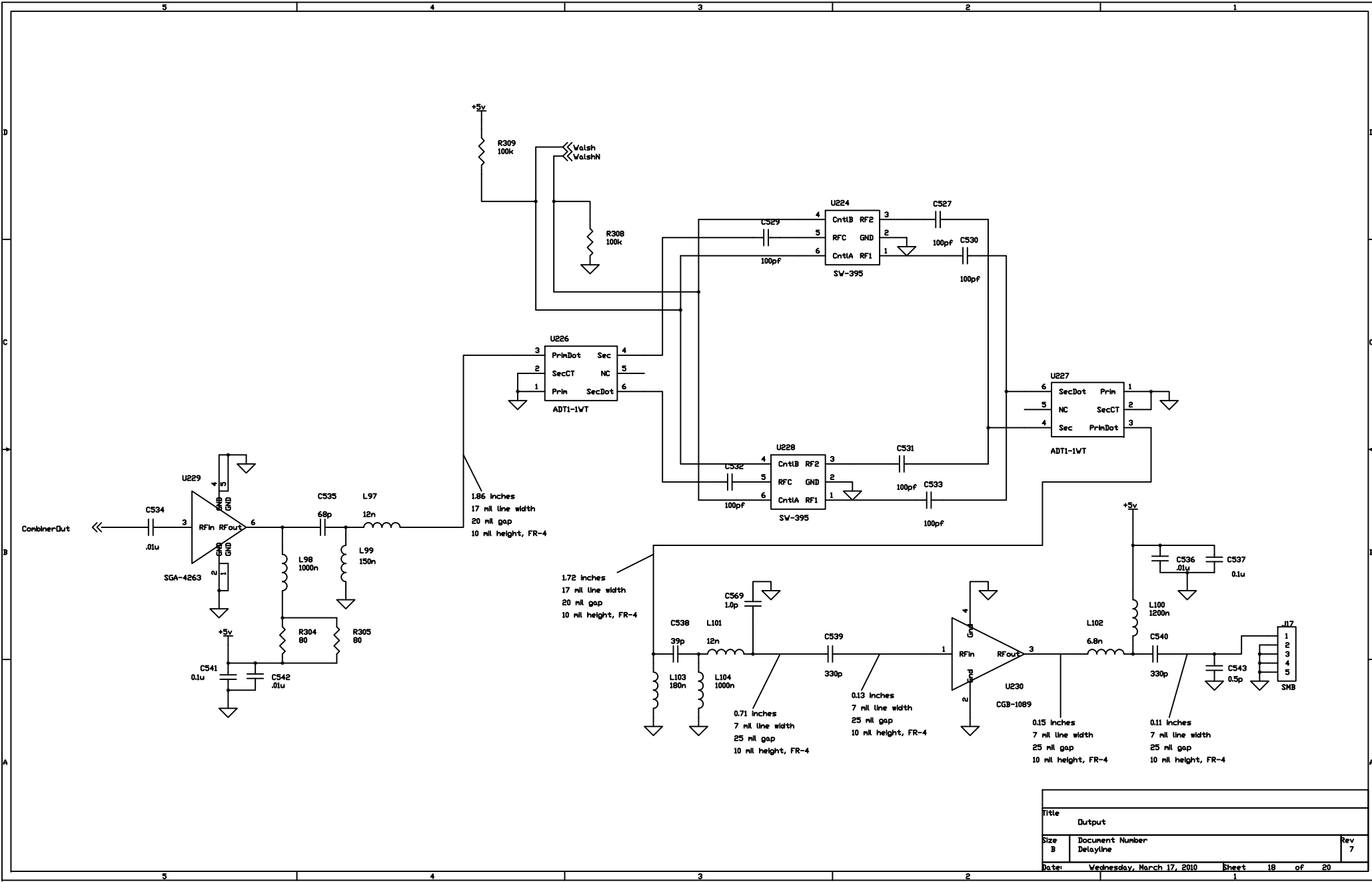
Title		DelayLineN
Size	Document Number	Rev
B	DelayLine	7
Date:	Wednesday, March 17, 2010	Sheet 15 of 20



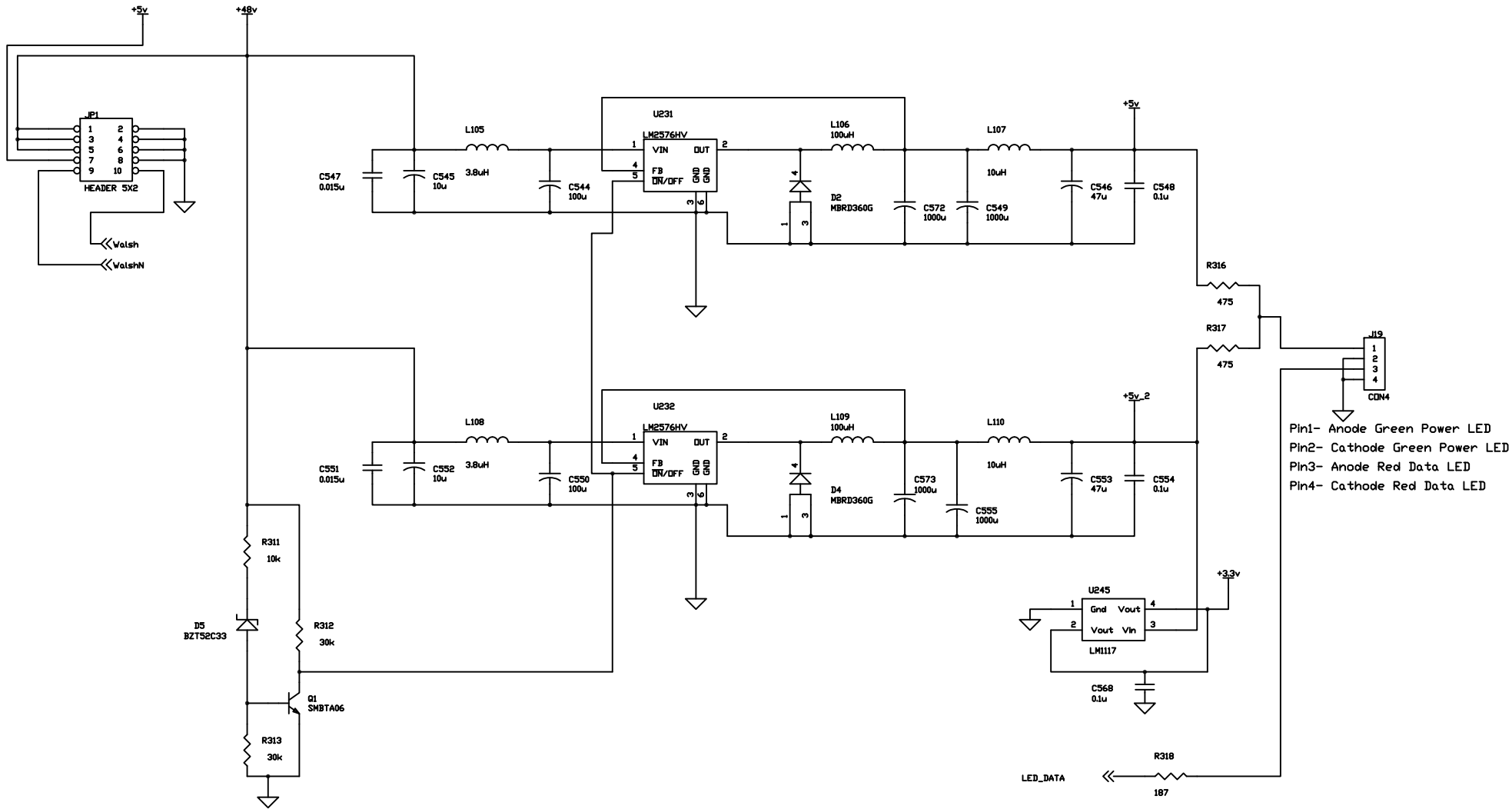
Title		DelayLineD
Size	Document Number	Rev
B	DelayLine	7
Date:	Wednesday, March 17, 2010	Sheet 16 of 20



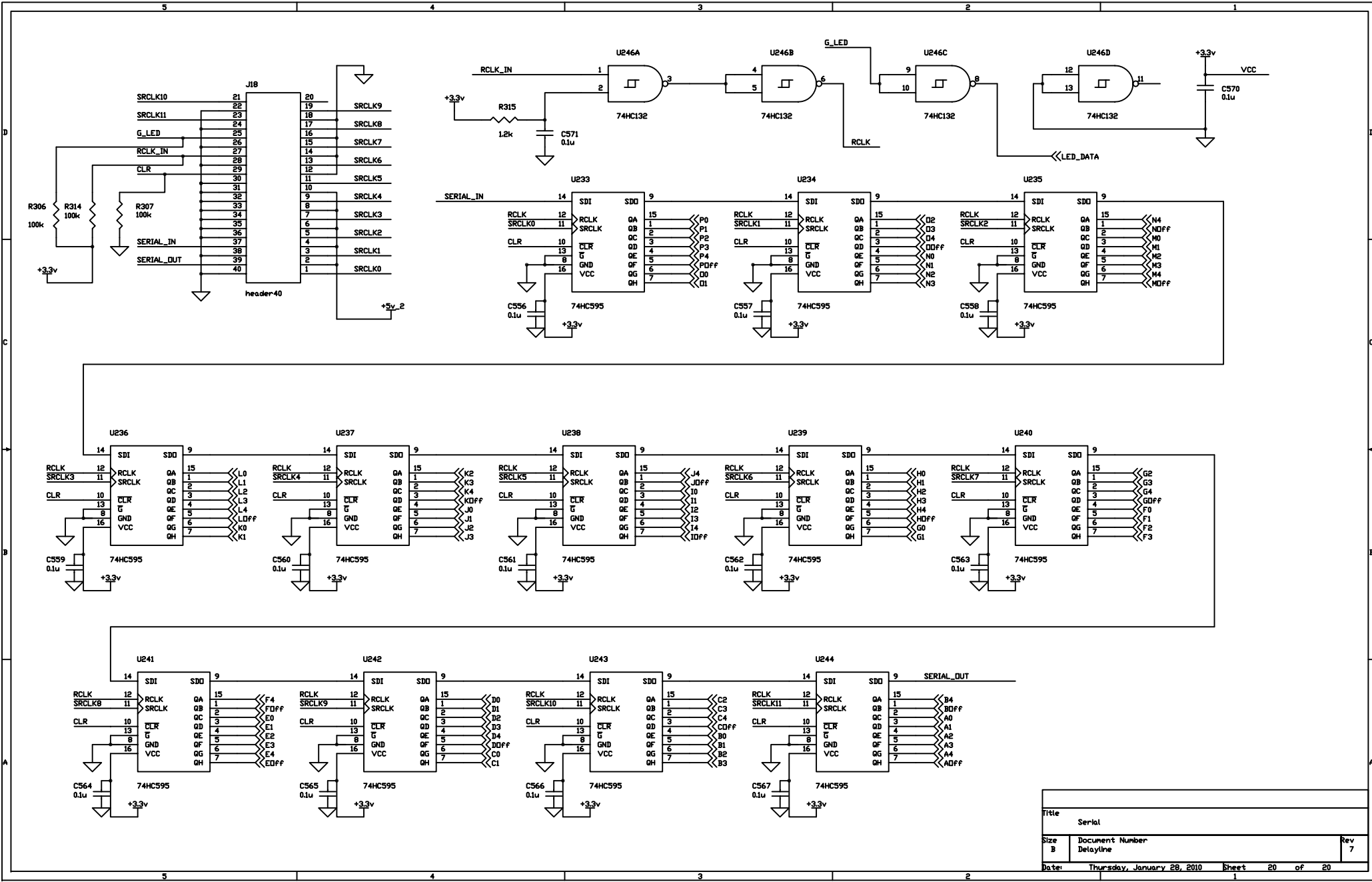
Title		
DelayLineP		
Size	Document Number	Rev
B	DelayLine	7
Date:	Wednesday, March 17, 2010	Sheet 17 of 20



Title		Output
Size	Document Number	Rev
B	Delayline	7
Date:	Wednesday, March 17, 2010	Sheet 18 of 20



Title			Power
Size	Document Number	Rev	
B	Delayline	7	
Date:	Wednesday, March 17, 2010	Sheet	19 of 20



Title			Serial
Size	Document Number	Rev	
B	Delayline	7	
Date:	Thursday, January 28, 2010	Sheet	20 of 20