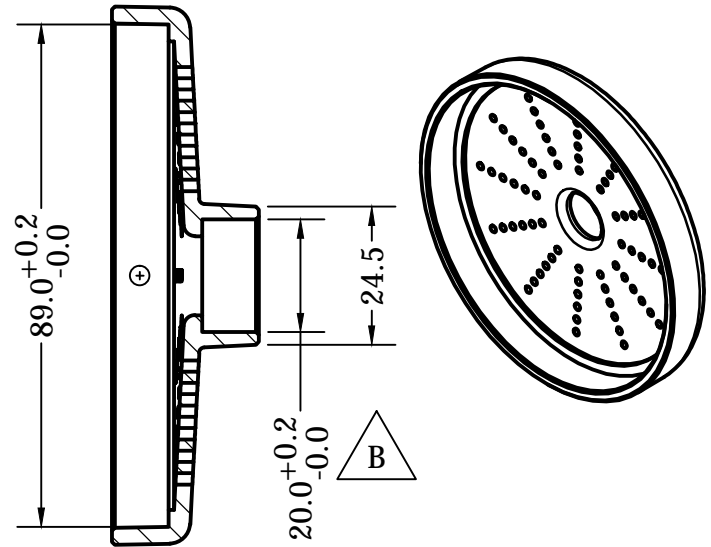


REVISION HISTORY				
ZONE	REV	DESCRIPTION	DATE	APPROVED
1	A	Released for Production	1/09/2007	SJB
1	B	20 Dimension was 17.8, 24.5 added	1/24/2007	SJB
1	C	3.5 mm holes added	10/10/2011	SJB



SECTION A-A

MATERIAL: UV RESISTANT WHITE PVC

NOTE: USE MODEL DATA TO DEFINE PART.

Dimensions are in millimeters. Tolerances are: ± 0.2 mm			
Unless Otherwise Specified			
DRAWN BY	DATE	TITLE	
Art Haines	11/22/2006	BOTTOM CAP	
CHECKED BY	DATE	SIZE	DRAWING NUMBER
SJB	10/10/2011	A	MWA-011
APPROVED BY	DATE	SCALE	SHEET
SJB	10/10/2011	NTS	1 of 1