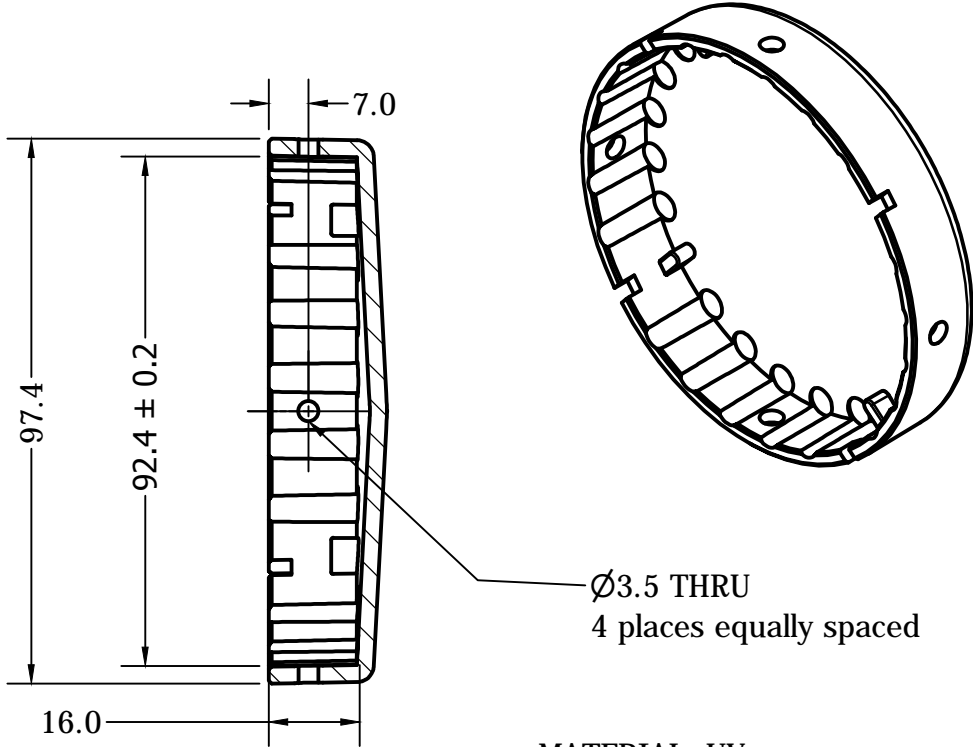


REVISION HISTORY				
ZONE	REV	DESCRIPTION	DATE	APPROVED
1	A	Released for Production	01/09/2007	SJB
1B	B	3.5mm hole was 5mm	10/10/2011	SJB



MATERIAL: UV
RESISTANT WHITE PVC

NOTE: USE MODEL DATA TO
DEFINE PART.

Dimensions are in millimeters. Tolerances are: ± 0.2 mm			
Unless Otherwise Specified			
DRAWN BY	DATE	TITLE	
Art Haines	11/20/2006	TOP CAP	
CHECKED BY	DATE	SIZE	DRAWING NUMBER
SJB	10/11/2011	A	MWA-009
APPROVED BY	DATE	SCALE	SHEET
SJB	10/11/2011	NTS	1 of 1

B

A

B

A

2

1

2

1