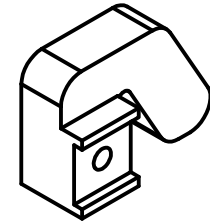
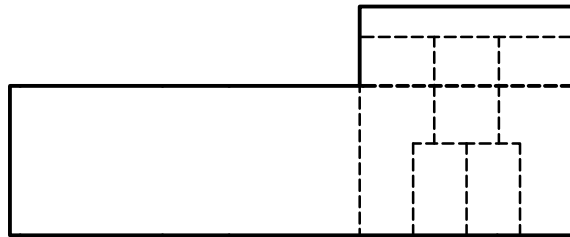


2

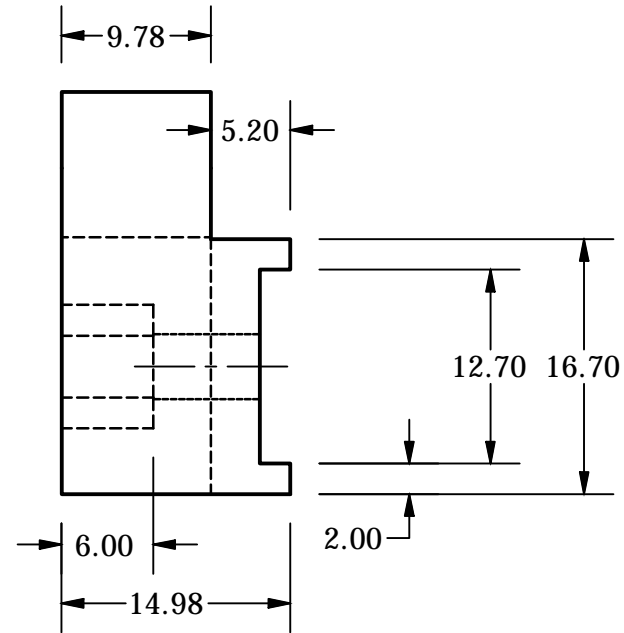
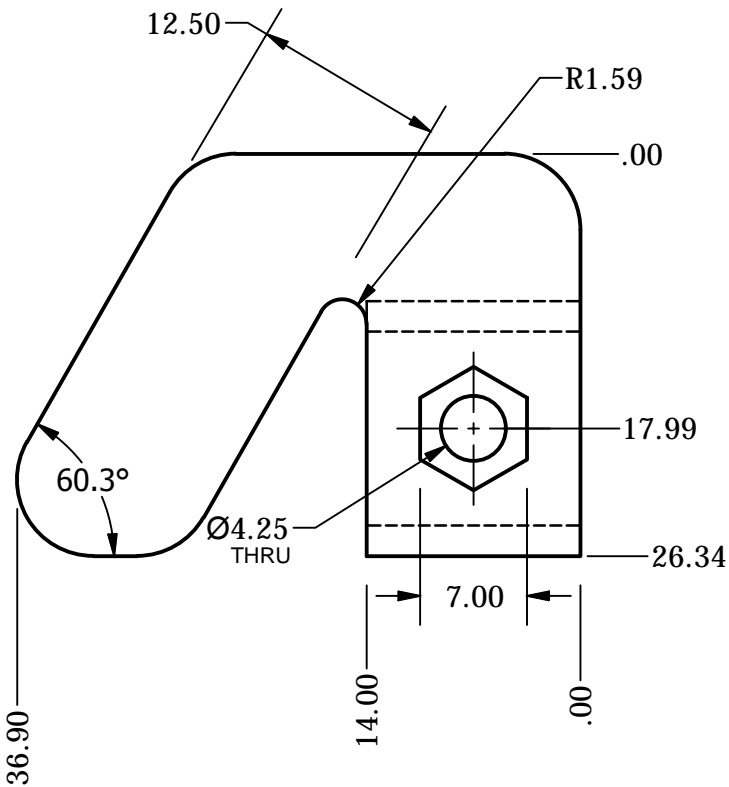
1

REVISION HISTORY				
ZONE	REV	DESCRIPTION	DATE	APPROVED
1	A	Released For Production	5/21/08	SJB
1	B	4.5mm DIA hole was 2 slots. Slot moved to MWA-006.	10/13/2011	SJB



B

B



A

A

MATERIAL: WHITE uV RESISTANT PVC

Dimensions are in millimeters.
Tolerances are:
± 0.1

DRAWN BY Art Haines		DATE 5/21/08		TITLE LEG, CURVED	
CHECKED BY SJB		DATE 10/13/2011		DRAWING NUMBER MWA-007	
APPROVED BY SJB		DATE 10/13/2011		SCALE NTS	REV B
				SHEET 1 of 1	

2

1