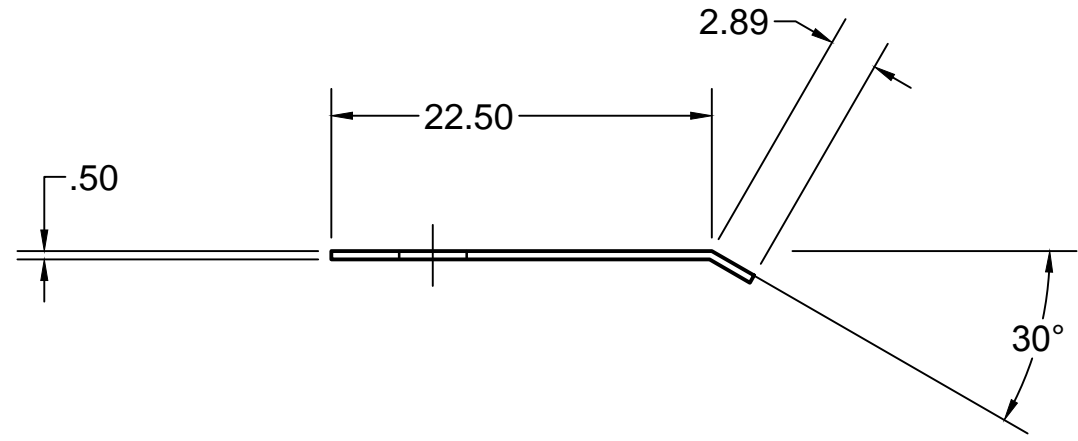



REVISION HISTORY				
ZONE	REV	DESCRIPTION	DATE	APPROVED
1	A	Released for Production	05/22/2008	SJB
1	B	Changed from C-Clip to Spring Clip	10/11/2011	SJB
1	C	4.0 DIA hole was 3.8	10/27/2011	SJB



MATERIAL: Stainless spring steel

Dimensions are in millimeters. Tolerances are: ± 0.1 mm				
Unless Otherwise Specified				
DRAWN BY Art Haines	DATE 5/22/2008	SIZE A	DRAWING NUMBER MWA-008	REV C
CHECKED BY AAH	DATE 5/22/2008	SCALE NTS	SHEET 1 of 1	
APPROVED BY SJB	DATE 10/11/2011			