

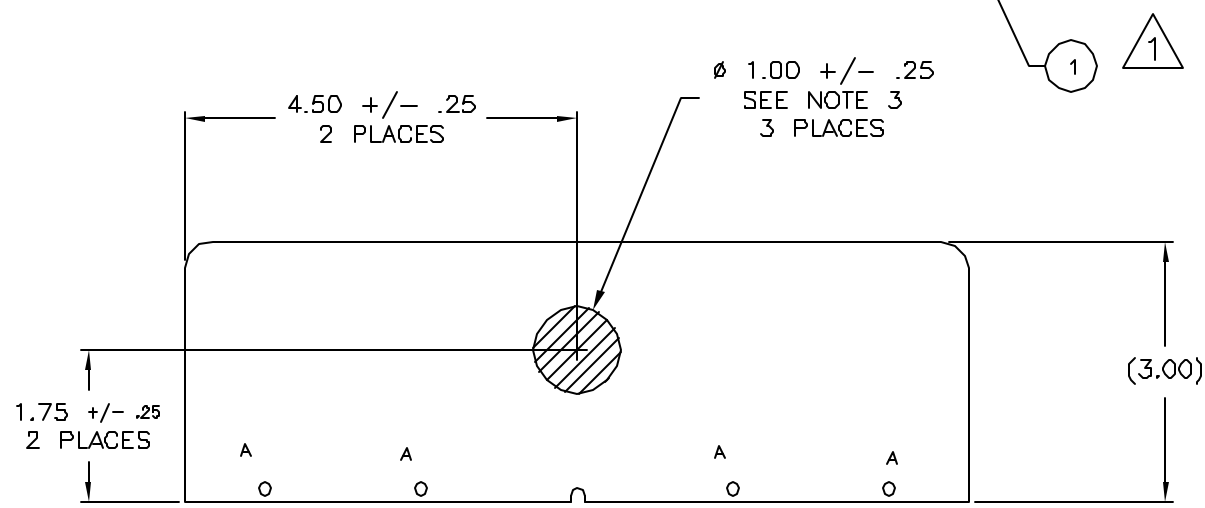
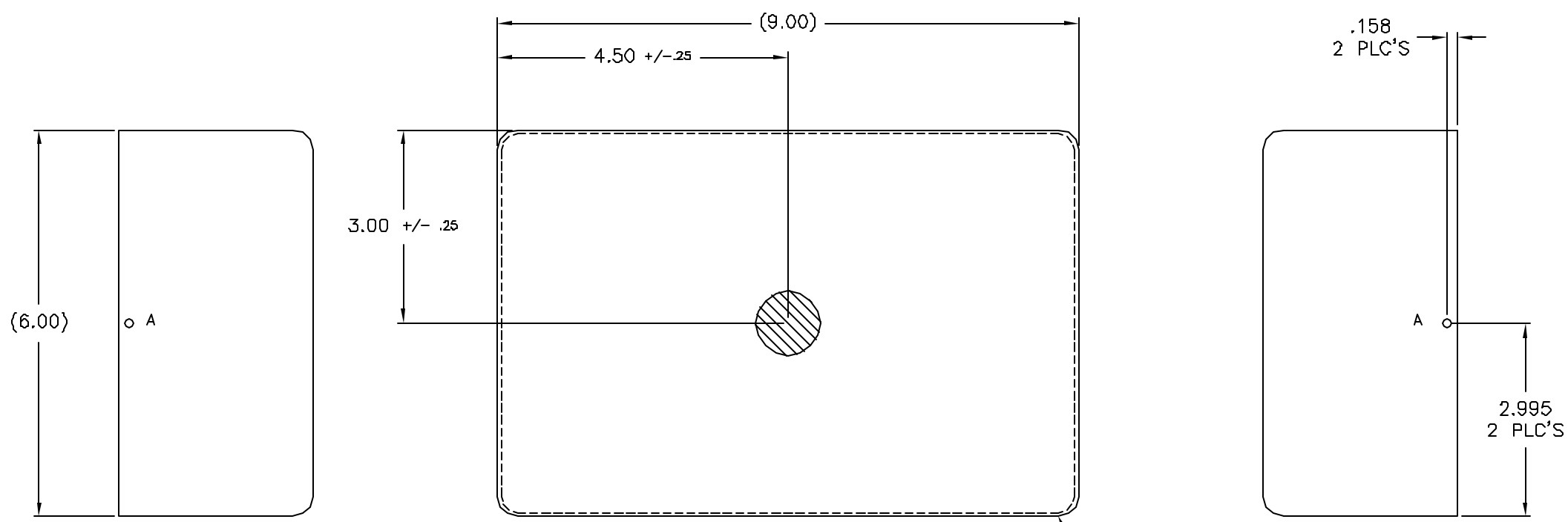
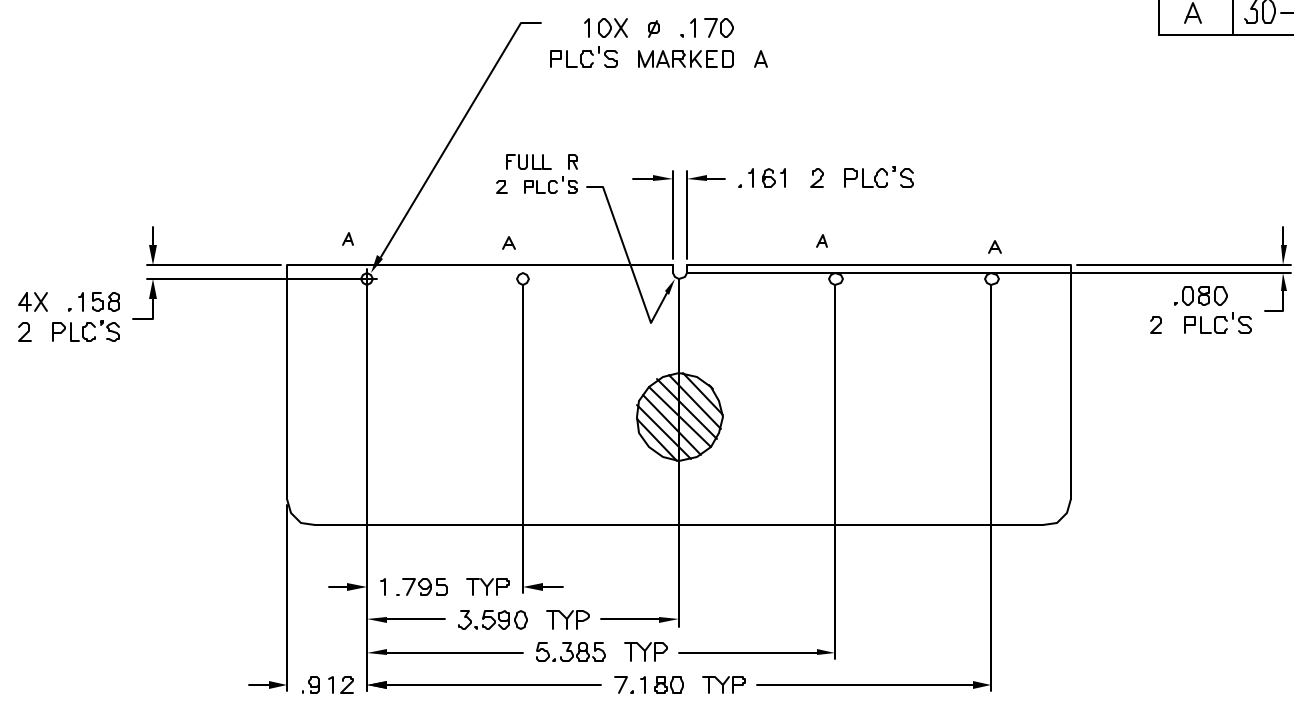
4

3

2

1

REVISIONS					
REV.	ECO NO.	DESCRIPTION	CHECKED	APPROVED	DATE
A	30-006	INITIAL RELEASE			



NOTES:

- 1. MAKE FROM ZERO CORP P/N Z96-144-3.00 HIGH
- 2. REMOVE ALL BURRS AND SHARP EDGES R.010 MAXIMUM.
- 3. MASK AREAS SHOWN. HARD ANODIZE PER MIL-SPEC MIL-A-8625C TYPE 111, CLASS 1, .002 THICK. DO NOT SEAL.

		NAME	DATE
		DRAWN	
		CHECKED	
		APPROVED	
		RELEASED	
30-50114	ASTRO-E2		
NEXT HIGHER ASSY	USED ON	WEIGHT	

UNLESS OTHERWISE SPECIFIED:  
 DIMENSIONS SHALL BE INTERPRETED IAW ANSI Y14.5 - 1982  
 DIMENSIONS ARE IN INCHES  
 TOLERANCE: ANGLES ±1°  
 3 PLACE DECIMALS ±.005  
 2 PLACE DECIMALS ±.01  
 THIRD ANGLE PROJECTION

MASSACHUSETTS INSTITUTE OF TECHNOLOGY  
 CENTER FOR SPACE RESEARCH  
 CAMBRIDGE, MA 02139

COVER, SHIPPING ASSEMBLY, ASTRO E2

SIZE C	CAGE CODE 80230	DWG. NO. 30-50114.17	REV. A
SCALE 1:1	SHEET 1 OF 1		

4

3

2

1