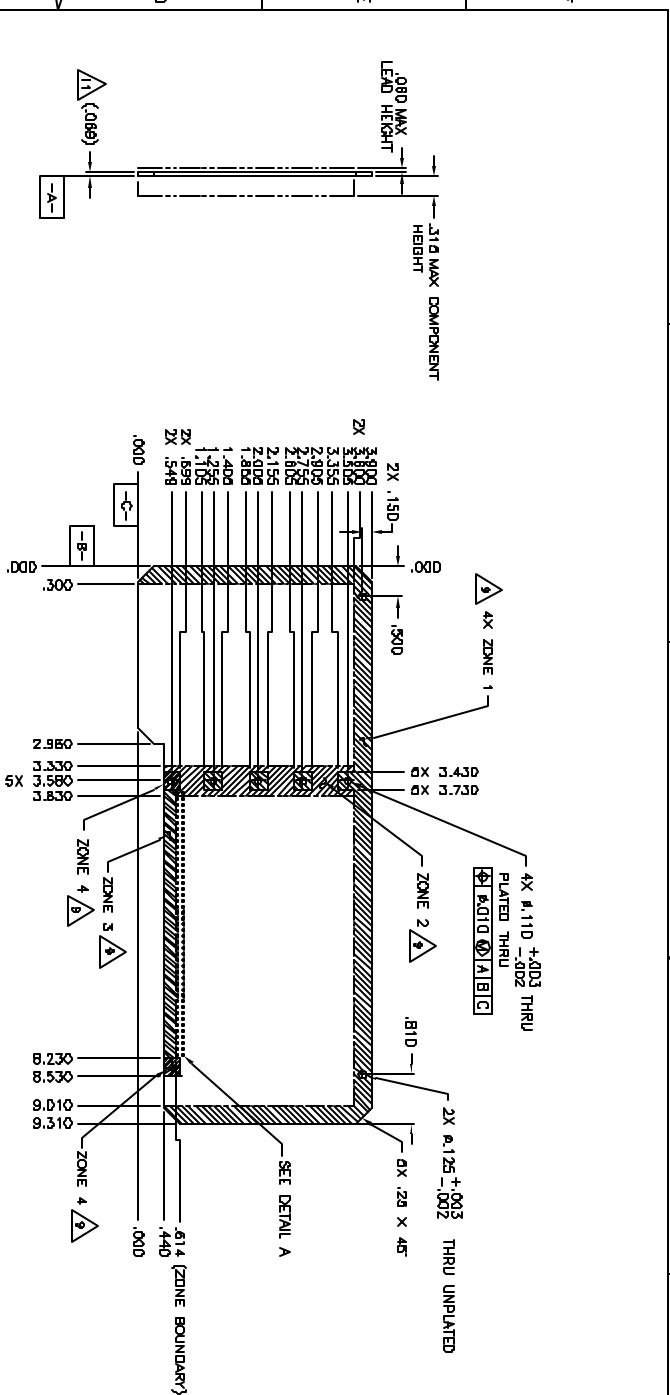
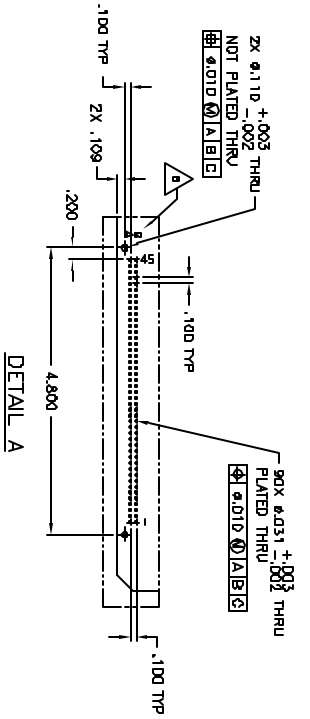


REV	DATE	DESCRIPTION	DESIGNED	APPROVED	DATE
1	08-10-01	INITIAL RELEASE (FORM 29-20301.01-1)			



COMPONENT SIDE	SOLDER MASK
1 OZ. COPPER (SIGNAL - LAYER 1)	FR4 - .005 THK.
2 OZ. COPPER (ROUND - LAYER 2)	2116 PREPREG - .008 THK
1 OZ. COPPER (SIGNAL - LAYER 3)	FR4 - .005 THK.
1 OZ. COPPER (SIGNAL - LAYER 4)	2116 PREPREG - .008 THK
1 OZ. COPPER (SIGNAL - LAYER 5)	FR4 - .005 THK.
2 OZ. COPPER (ROUND - LAYER 6)	2110 PREPREG (SIGNAL - LAYER 6)
1 OZ. COPPER (SIGNAL - LAYER 7)	FR4 - .005 THK.
1 OZ. COPPER (SIGNAL - LAYER 8)	FR4 - .005 THK.
1 OZ. COPPER (SIGNAL - LAYER 9)	FR4 - .005 THK.



- NOTES:
- BOARD SHOWN FROM CONNECTOR SIDE.
 - UNTOLERANCED DIMENSIONING LOCATING TRILE POSITION ARE BASIC.
 - HOLE SIZES ARE AFTER PLATING.
 - PRINTED WIRING BOARD PART NUMBER IS 30-20301
 - (29-20301 IS CONTINUATION)
 - DESIGN AND FABRICATION SHALL BE IN 30-20301.01 (29-20301.01 IS ACCEPTABLE)
 - SOLDER MASK MUST BE APPLIED OVER PAVE COPPER EXCEPT AS NOTED.
- MARKING SHALL INCLUDE AS A MINIMUM:**
- | MARKING | REQUIRED SERIAL |
|----------------------------|--------------------|
| MANUFACTURER'S NAME | PWG MANUFACTURER |
| MANUFACTURER'S PART NUMBER | PWG MANUFACTURER |
| MANUFACTURER'S LOT CODE | PWG MANUFACTURER |
| PWG PART NUMBER | 30-20301 |
| PWG REVISION | PWG PURCHASE ORDER |
| ASSEMBLY PART NUMBER | CONTROL |
| CONNECTOR PIN DESIGNATION | 30-20301 REV |
- WARNING AS 29-20301XX IS ACCEPTABLE.
- ZONE RESTRICTIONS:**
- ZONE 1: NO COMPONENTS OR EXTERNAL TRACES (EXCEPT GROUND PLANE) ALLOWED IN THE FREE SURFACE OF THE HOLE WITHIN THE PLATED THRU AREA EXCEPT FOR .010 NO COPPER AT BOARD EDGE AND .020 AT INTERNAL BOUNDARIES.
 - ZONE 2: 125 MAXIMUM COMPONENT HEIGHT IN THIS AREA EXCEPT CONNECTORS.
 - ZONE 3: NO TRACES OR COMPONENT SIZES THIS AREA.
 - ZONE 4: NO EXTERNAL OR INTERNAL TRACES (EXCEPT BOUND PLANE) WITHIN THESE AREAS.
10. ALL PLATED THRU HOLES TO BE FREE OF SOLDER MASK.

LAYER ASSIGNMENTS

REVISION	DATE	DESCRIPTION
1	08-10-01	INITIAL RELEASE

UNLESS OTHERWISE SPECIFIED:
DIMENSIONS SHALL BE AS SHOWN UNLESS OTHERWISE NOTED.
DIMENSIONS ARE IN INCHES.
3 PLACE DECIMALS FOR DIMENSIONS .005 AND SMALLER.
2 PLACE DECIMALS FOR DIMENSIONS .010 AND SMALLER.
THIRD ANGLE PROJECTION

MANUFACTURER'S INSTITUTE OF TECHNOLOGY
30-20301.01

OUTLINE, PCB, CONTROLLER

REV: 1 OF 1