

4

3

2

1

REVISIONS					
REV.	ECO NO.	DESCRIPTION	CHECKED	APPROVED	DATE
A	30-008	INITIAL RELEASE (from 29-10211_rB)			

D

D

C

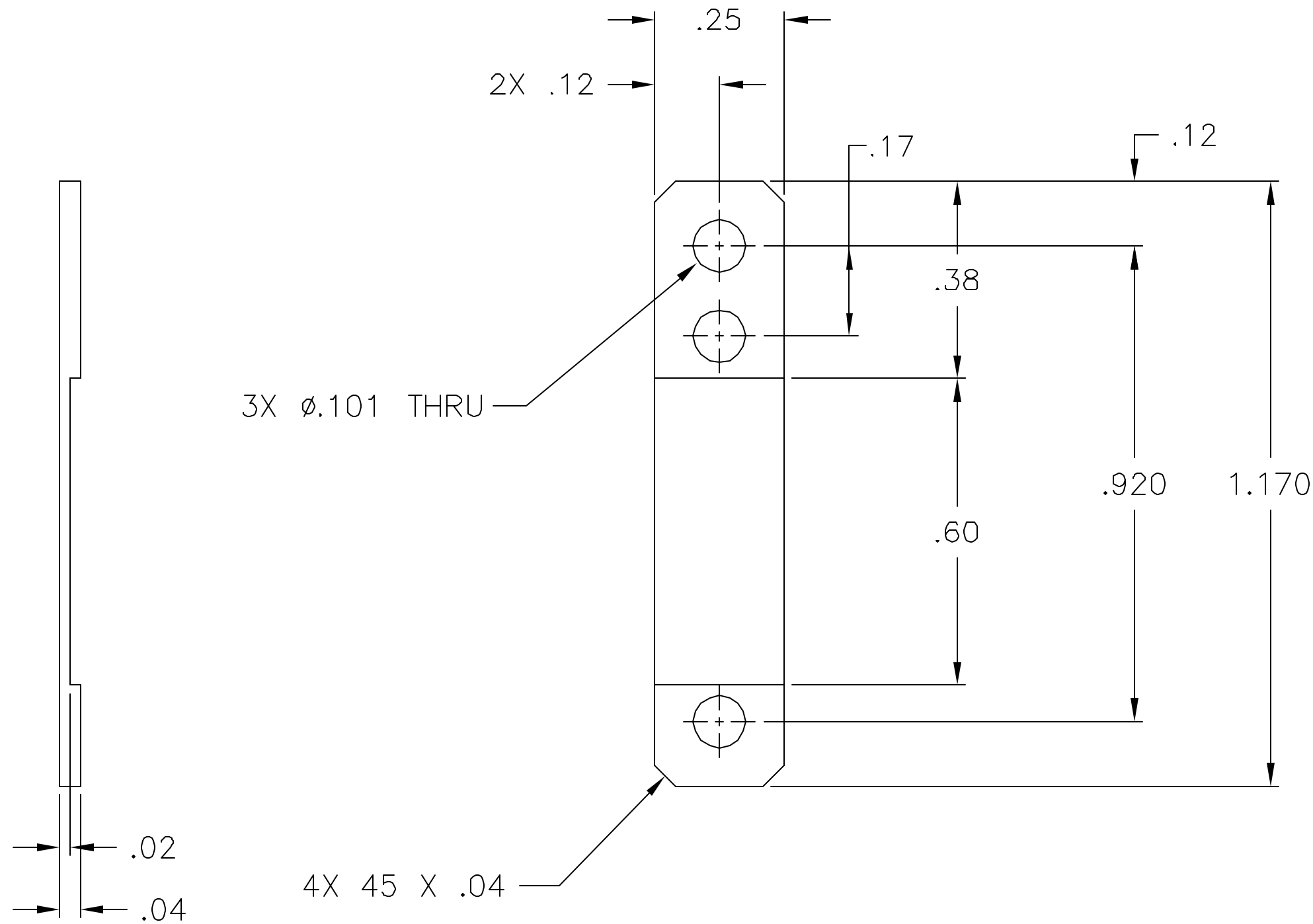
C

B

B

A

A

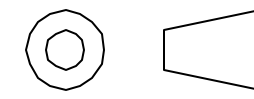


NOTES:

- 1. MATERIAL: TEFLON
- 2. CLEAN AND HANDLE PER 30-01303.

NAME	DATE
DRAWN	
CHECKED	
APPROVED	
RELEASED	
WEIGHT	

UNLESS OTHERWISE SPECIFIED:  
 DIMENSIONS SHALL BE INTERPRETED IAW ANSI Y14.5 - 1982  
 DIMENSIONS ARE IN INCHES  
 TOLERANCE: ANGLES  $\pm 1^\circ$   
 3 PLACE DECIMALS  $\pm .005$   
 2 PLACE DECIMALS  $\pm .01$   
 THIRD ANGLE PROJECTION



MASSACHUSETTS INSTITUTE OF TECHNOLOGY CENTER FOR SPACE RESEARCH CAMBRIDGE, MA 02139			
RETAINER, WIRE			
SIZE	CAGE CODE	DWG. NO.	REV.
C	80230	30-10211	A
SCALE NONE			SHEET 1 OF 1