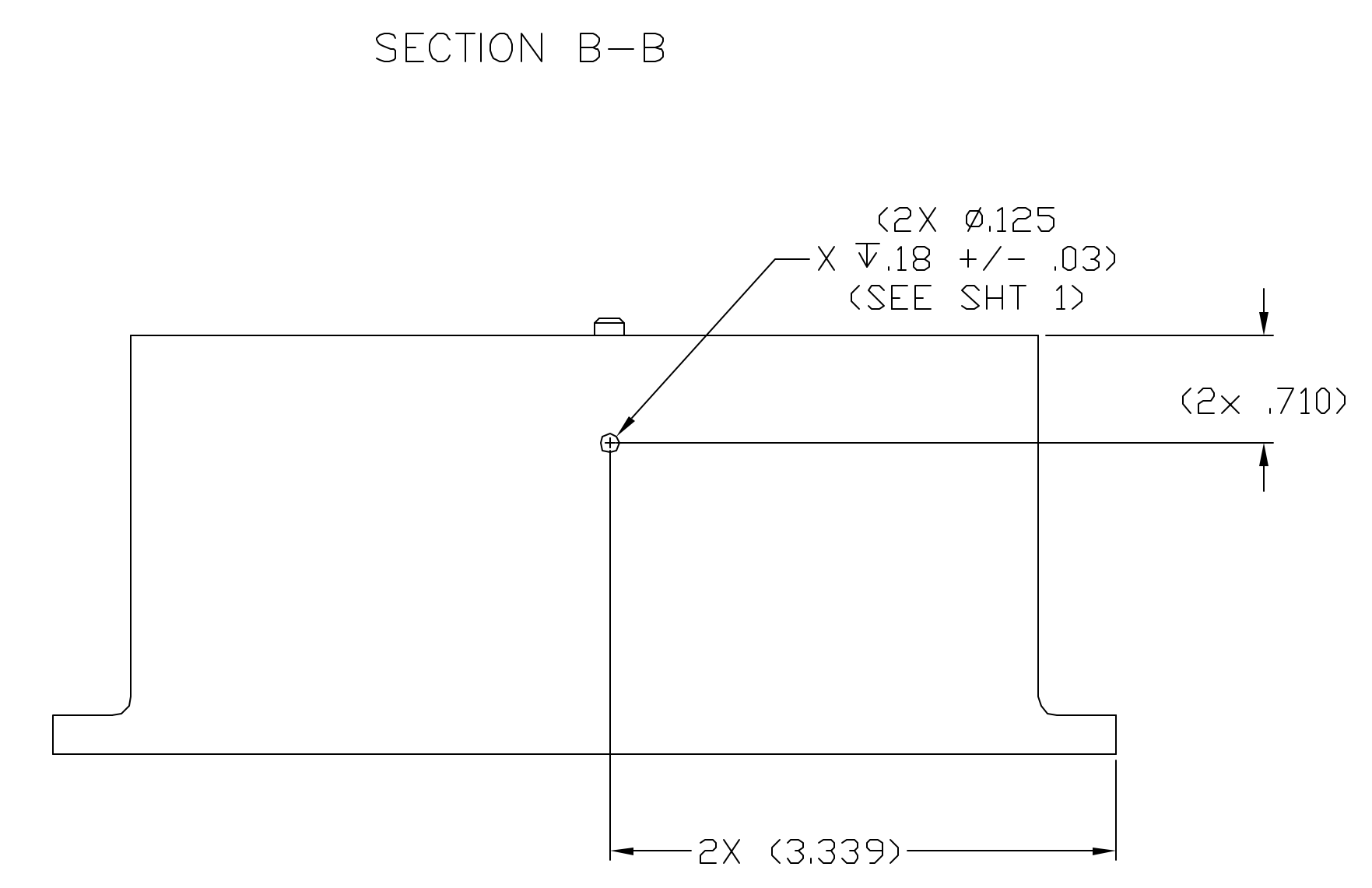
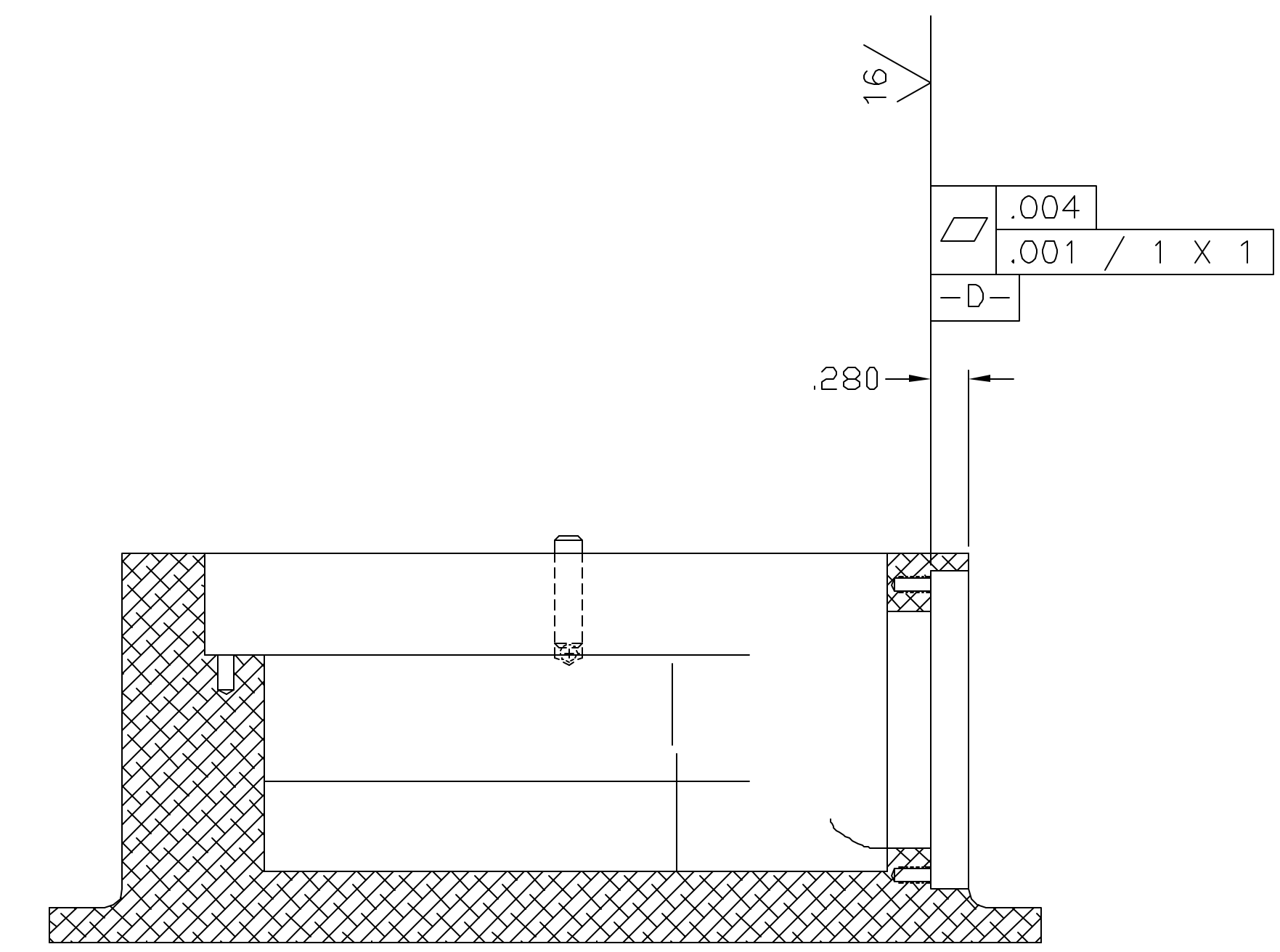
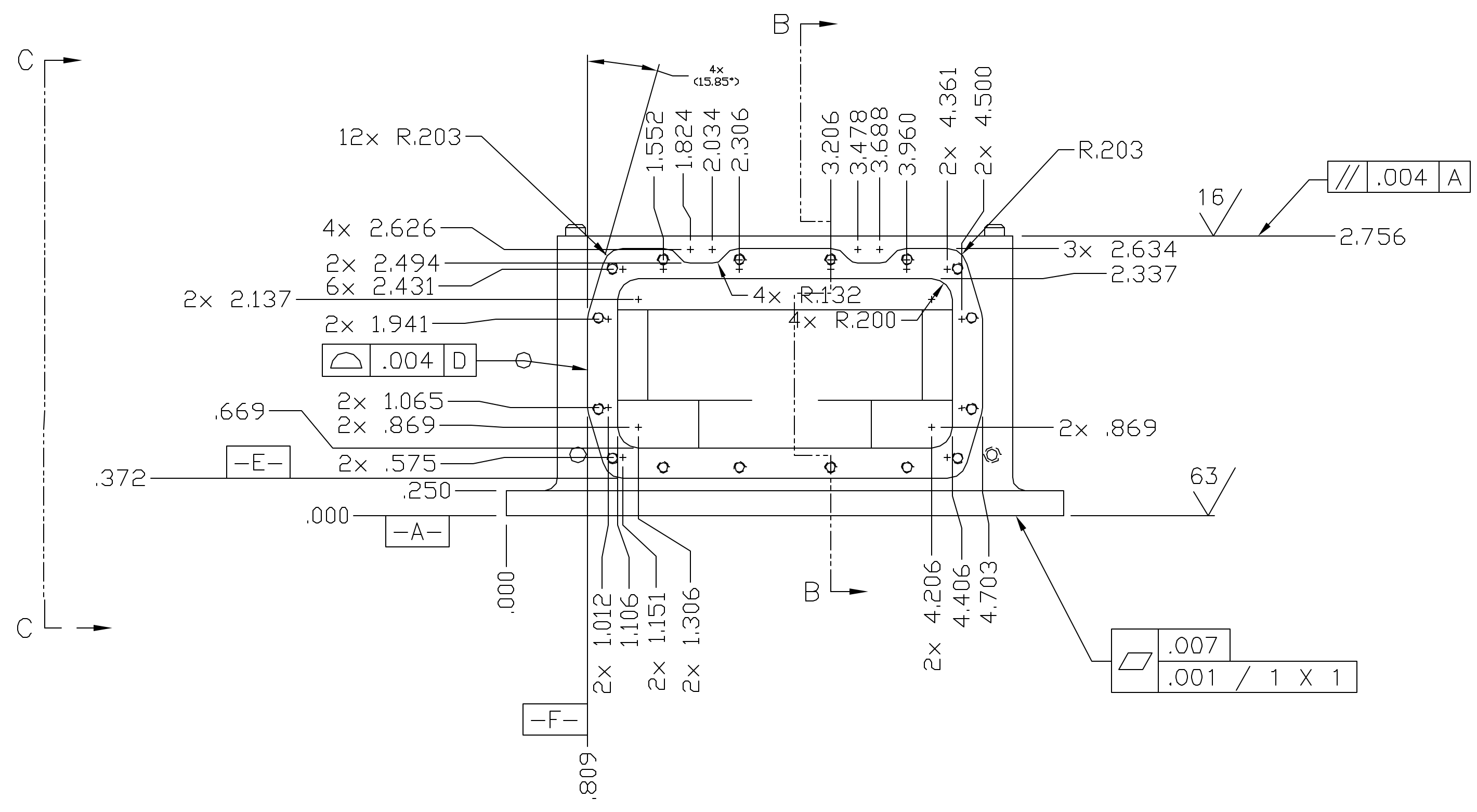


REVISIONS			CHECKED	APPROVED	DATE
REV.	ECO NO.	DESCRIPTION			
		-SEE SHEET 1-			



MASSACHUSETTS INSTITUTE OF TECHNOLOGY CENTER FOR SPACE RESEARCH CAMBRIDGE, MA 02139			
HOUSING, SENSOR BASE ASSEMBLY			
SIZE	CAGE CODE	DWG. NO.	REV.
D	80230	30-10100	B
SCALE	SHEET		2 OF 2