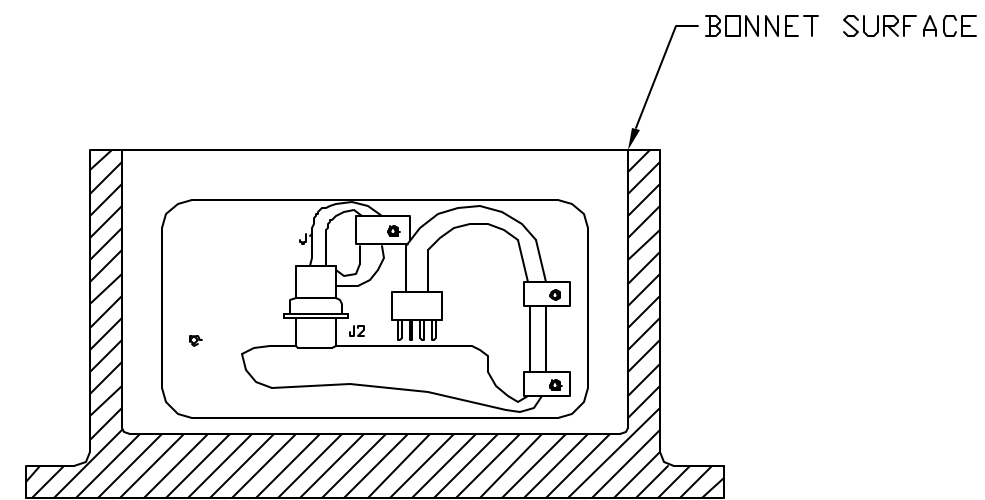
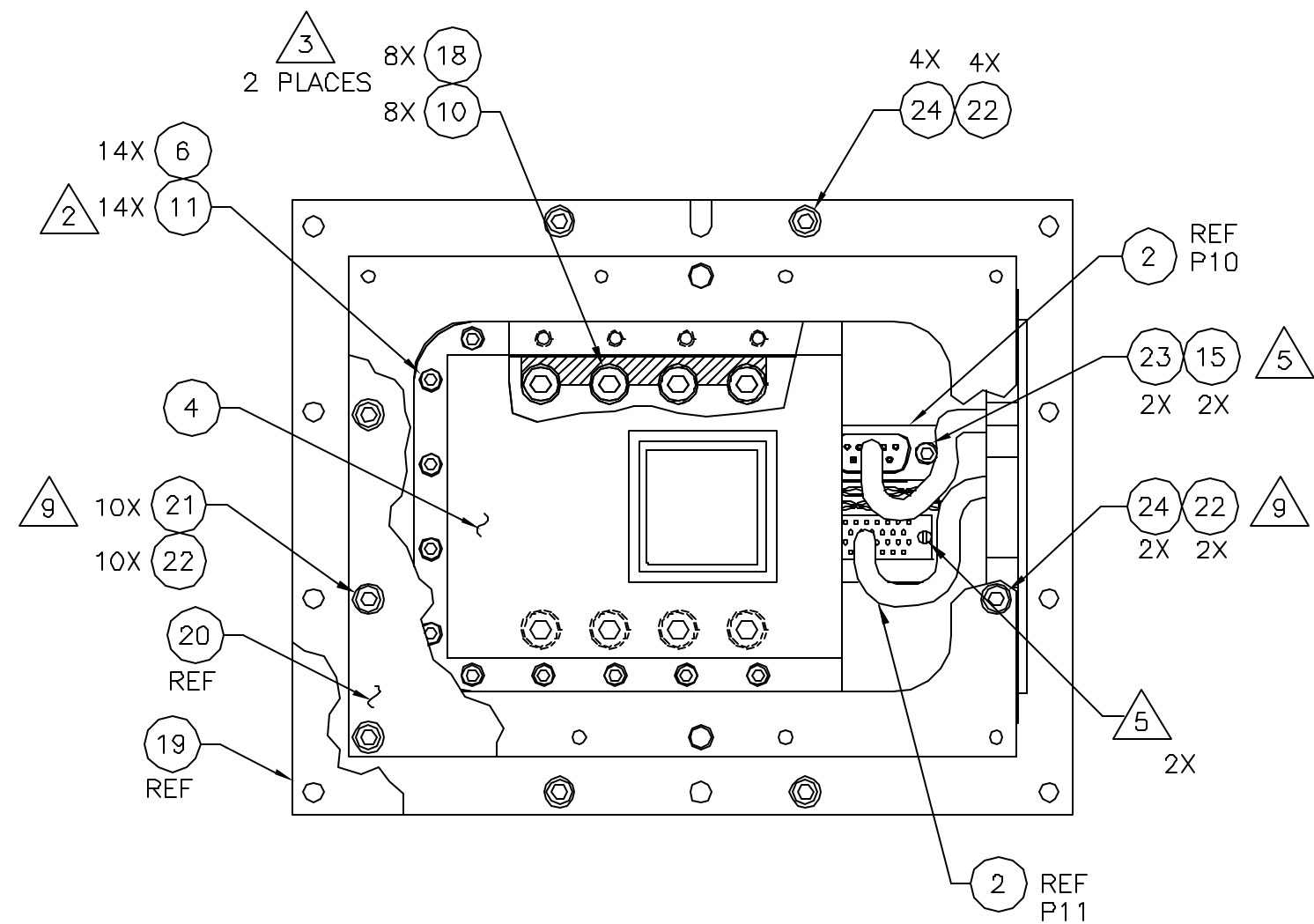


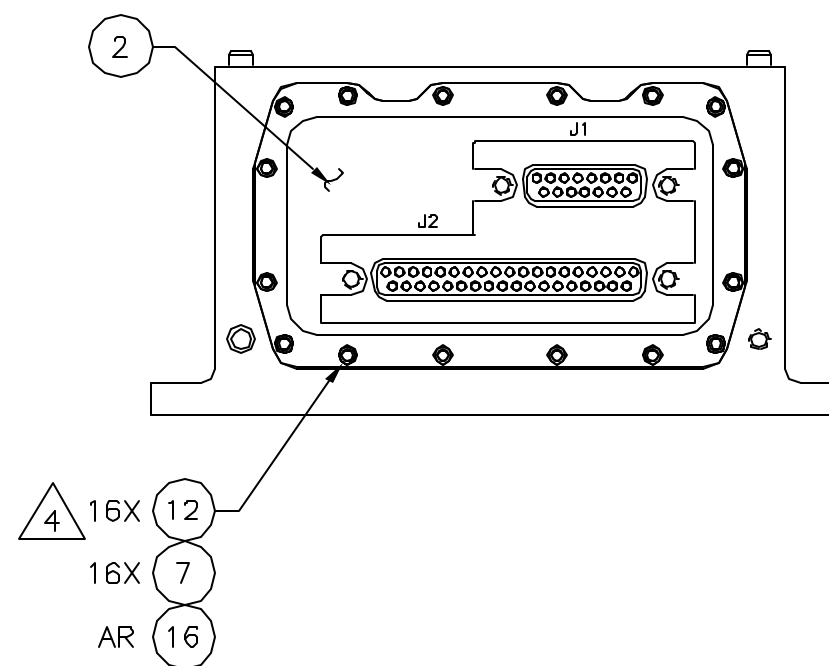
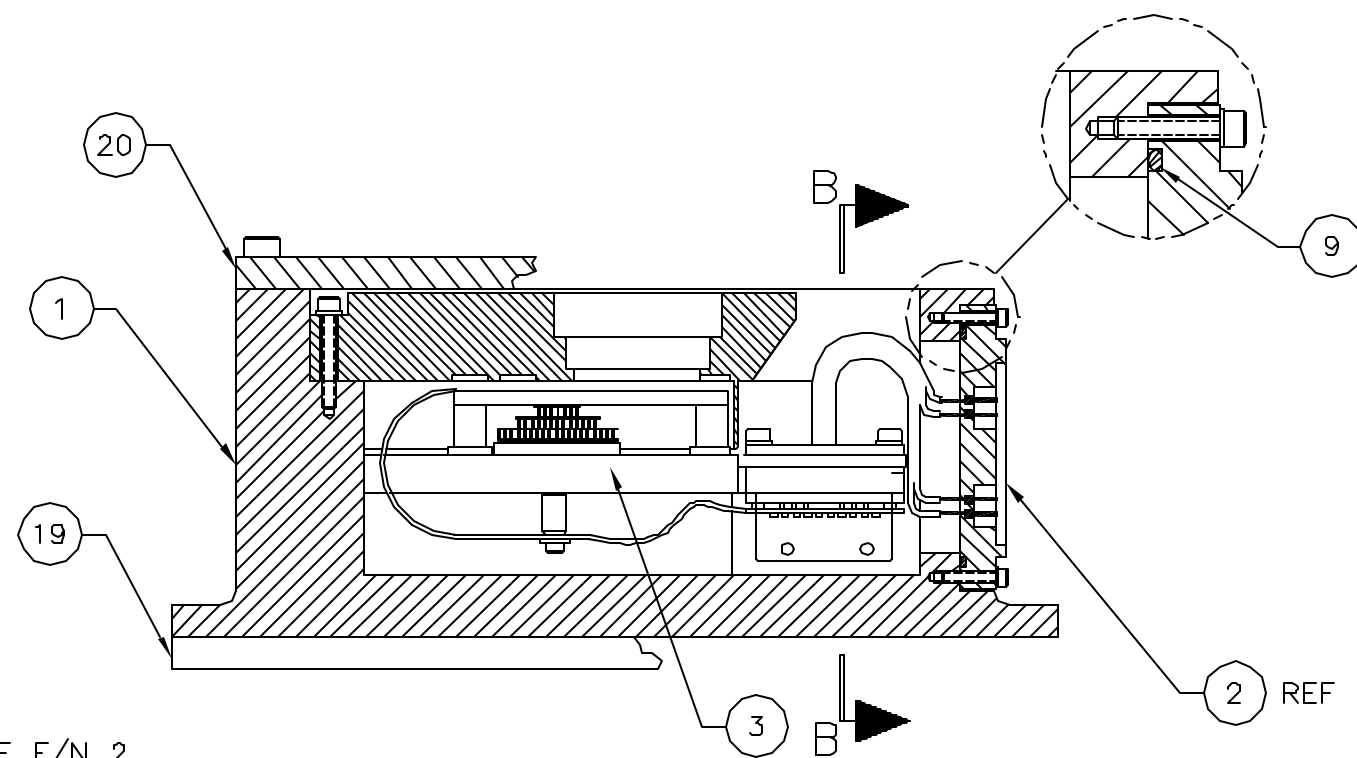
REV.		ECD NO.		DESCRIPTION		REVISIONS		CHECKED	APPROVED	DATE
A		30-036		INITIAL RELEASE						



SECTION B-B

ROUTE WIRE BUNDLES APPROX AS SHOWN
CABLES MUST BE BELOW BONNET SURFACE.

USAGE	
F/N 1 SERIAL NO.	F/N 2 SERIAL NO.
XIS-2-BDY-S1	
XIS-2-BDY-S2	
XIS-2-BDY-S3	
XIS-2-BDY-S4	
XIS-2-BDY-S5	
XIS-2-BDY-S6	
XIS-2-BDY-S7	



NOTES:

- 1 (triangle) DOCUMENT SERIAL NUMBER OF F/N 2
- 2 (triangle) TORQUE F/N 11 (#4-40 UNC-2B SCREW) TO 7 IN-LB. SPOTBOND WITH F/N 16.
- 3 (triangle) TORQUE F/N 10 (#10-32 UNF-2B SCREW) TO 40 IN-LB. SPOTBOND WITH F/N 16. KEEP SPOTBOND IN HATCHED AREA.
- 4 (triangle) TORQUE F/N 12 IN 1/4 TO 1/2 TURN INCREMENTS IN AN ALTERNATING, CROSSING PATTERN TO 54 IN-OZ. SPOTBOND WITH F/N 16.
- 5 (triangle) TORQUE TO 3-4 IN-LBS SPOTBOND WITH F/N 16.
- 6. HANDLE ITEM IN ACCORDANCE WITH 29-01303.
- 7. ITEM SENSITIVE TO ELECTRO STATIC DISCHARGE. KEEP CCD SHORTING PLUG INSTALLED AT ALL TIMES.
- 8. SCHEMATIC INTERCONNECTIONS IN ACCORDANCE WITH 30-05021.03
- 9 (triangle) TORQUE F/N 21 AND 24 (M4 X .70) TO 10 IN-LBS.
- 10. LEAK CHECK ASSEMBLY.
- 11. WEIGH ASSEMBLY WITHOUT F/N 19 OR 20 ATTACHED.

NAME	DATE
DRAWN M. SMITH	
CHECKED	
APPROVED	
RELEASED	
WEIGHT	

UNLESS OTHERWISE SPECIFIED:
DIMENSIONS SHALL BE INTERPRETED IAW ANSI Y14.5 - 1982
DIMENSIONS ARE IN INCHES
TOLERANCE: ANGLES ±1'
3 PLACE DECIMALS ±.005
2 PLACE DECIMALS ±.01
THIRD ANGLE PROJECTION

MASSACHUSETTS INSTITUTE OF TECHNOLOGY CENTER FOR SPACE RESEARCH CAMBRIDGE, MA 02139			
SENSOR BASE ASSEMBLY			
SIZE	CODE	DWG. NO.	REV.
D	80230	30-10000	A
SCALE	SHEET		1 OF 1