

4

3

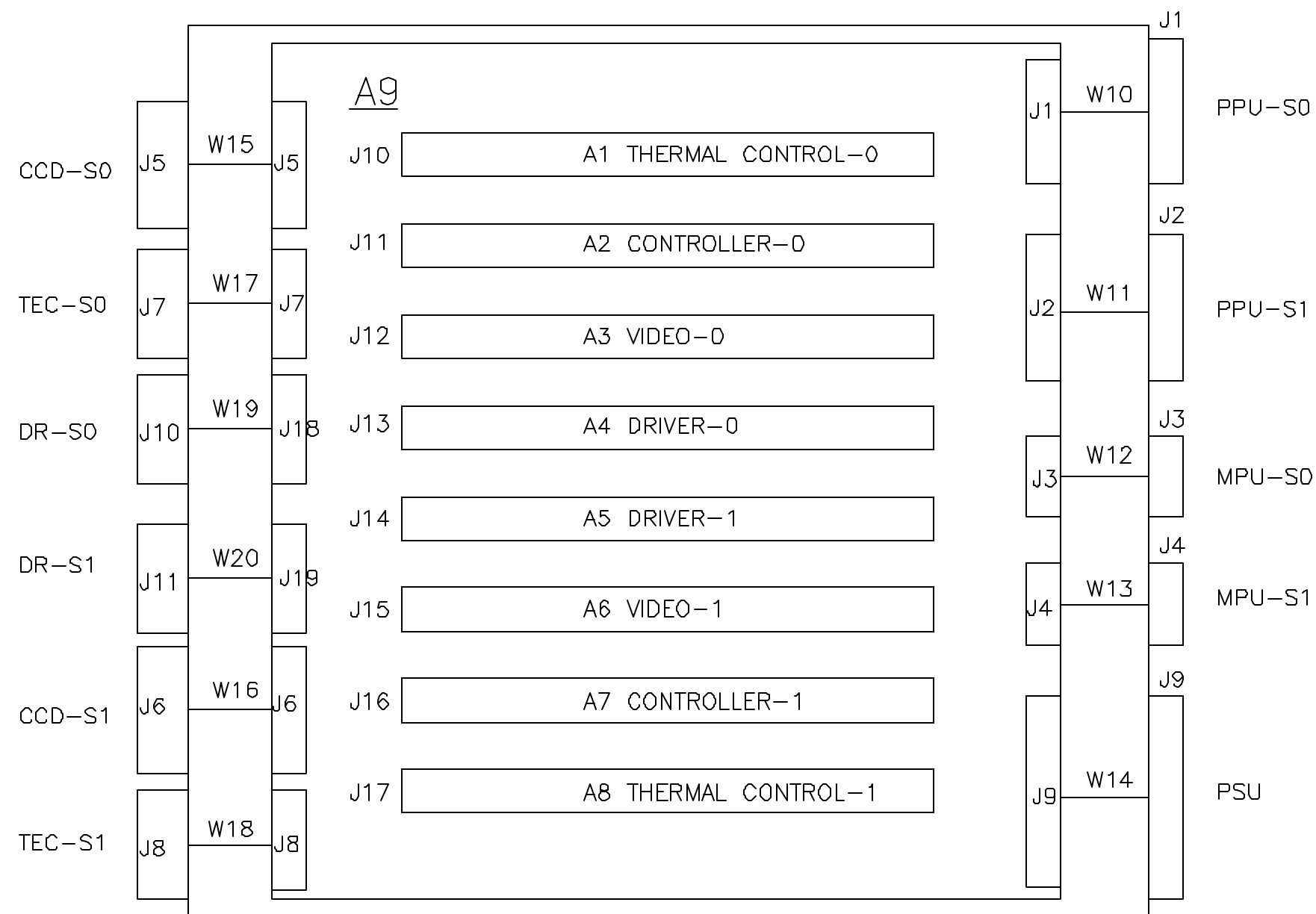
2

1

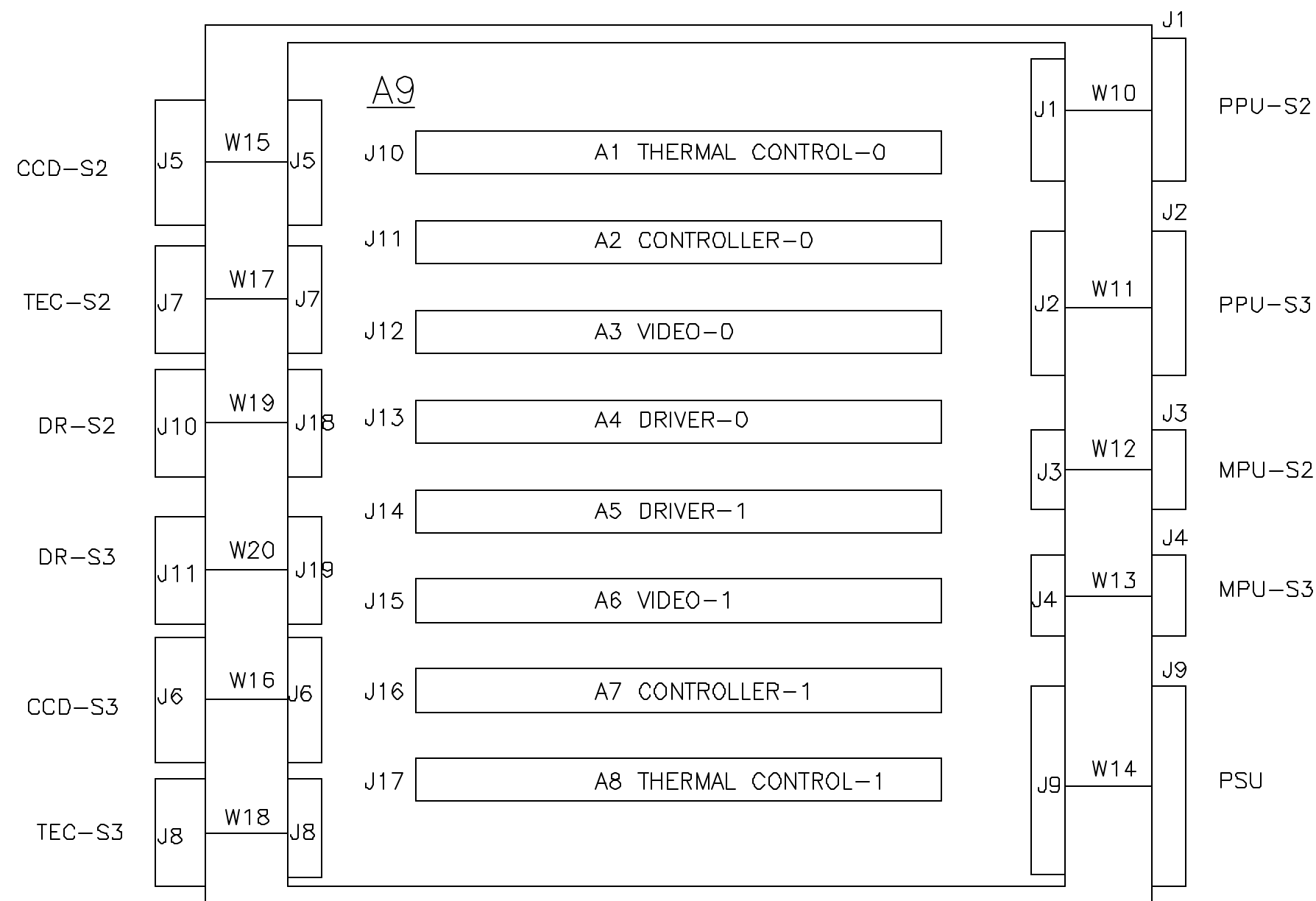
REVISIONS					
REV.	ECO NO.	DESCRIPTION	CHECKED	APPROVED	DATE
A	30-017	INITIAL RELEASE			

NOTES:

- 1. UNLESS OTHERWISE NOTED, ALL WIRE TO BE 24 AWG.
- 2. LEGEND:



XIS-2-AE/TCE-01



XIS-2-AE/TCE-23

A	A	A	A	A	A	/													
1	2	3	4	5	6	7	8	9	10										

REVISION STATUS OF SHEETS

NAME	DATE
DRAWN	
CHECKED	
APPROVED	
RELEASED	
WEIGHT	

UNLESS OTHERWISE SPECIFIED:
 DIMENSIONS SHALL BE INTERPRETED IAW ANSI Y14.5 - 1982
 DIMENSIONS ARE IN INCHES
 TOLERANCE: ANGLES ±1°
 3 PLACE DECIMALS ±.005
 2 PLACE DECIMALS ±.01
 THIRD ANGLE PROJECTION

MASSACHUSETTS INSTITUTE OF TECHNOLOGY
 CENTER FOR SPACE RESEARCH
 CAMBRIDGE, MA 02139

INTERCONNECTION DIAGRAM—
 AE/TCE ASSY

SIZE	CAGE CODE	DWG. No.	REV.
C	80230	30-05021.02	A

SCALE NONE SHEET 1 OF 6

4

3

2

1

4

3



2

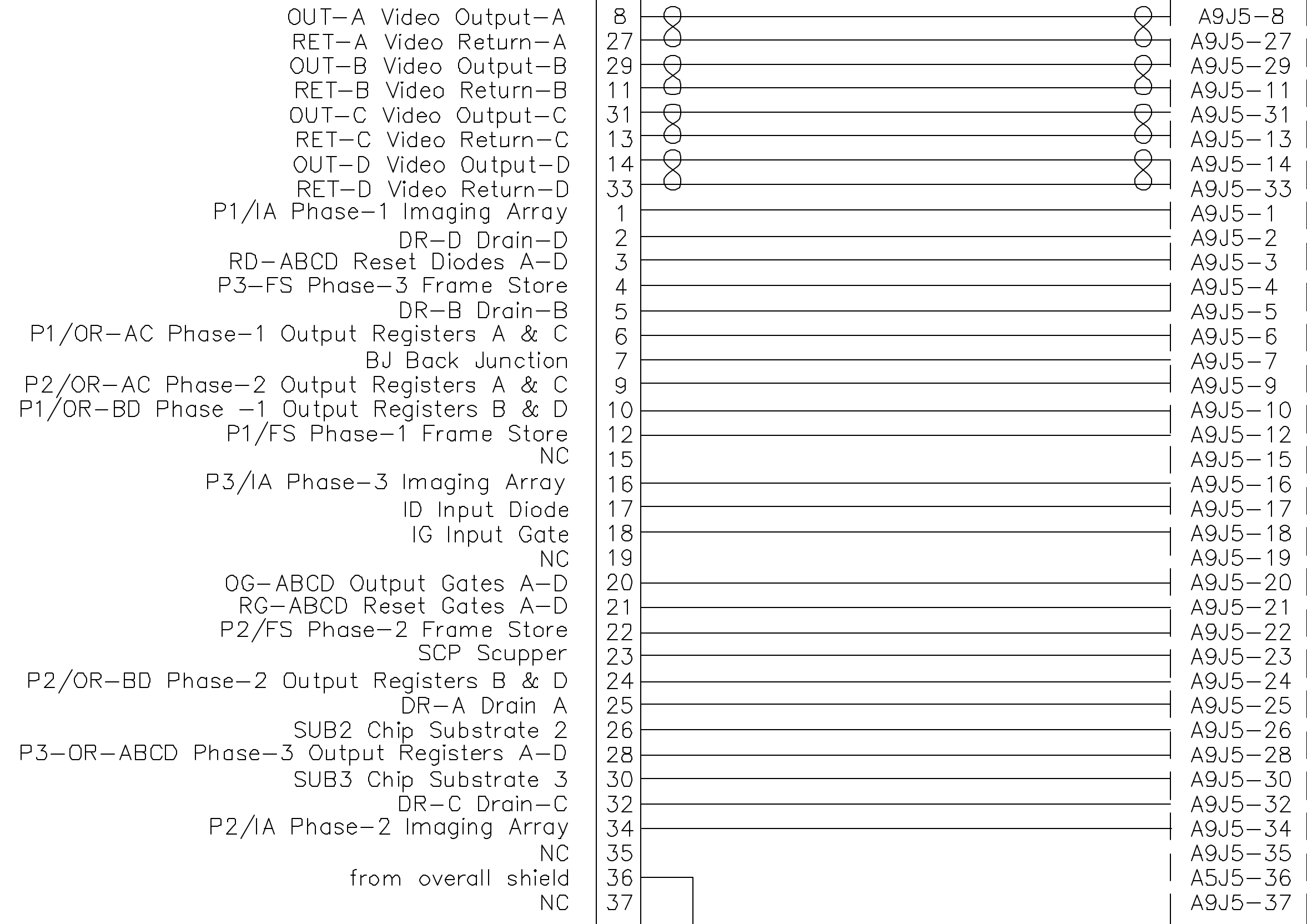
1

REVISIONS					
REV.	ECO NO.	DESCRIPTION	CHECKED	APPROVED	DATE
		SEE SHEET 1			

D

D

W15
CCD-S0,S2



C

C



B

B

A

A

J5 37 Socket D-Subminiature BACKPLANE

SIZE C	CAGE CODE 80230	DWG. NO. 30-05021.02	REV. A
SCALE NONE		SHEET 2	

4

3



2

1

4

3



2

1

REVISIONS					
REV.	ECO NO.	DESCRIPTION	CHECKED	APPROVED	DATE
		SEE SHEET 1			

D

D

W16
CCD-S1,3

C

C

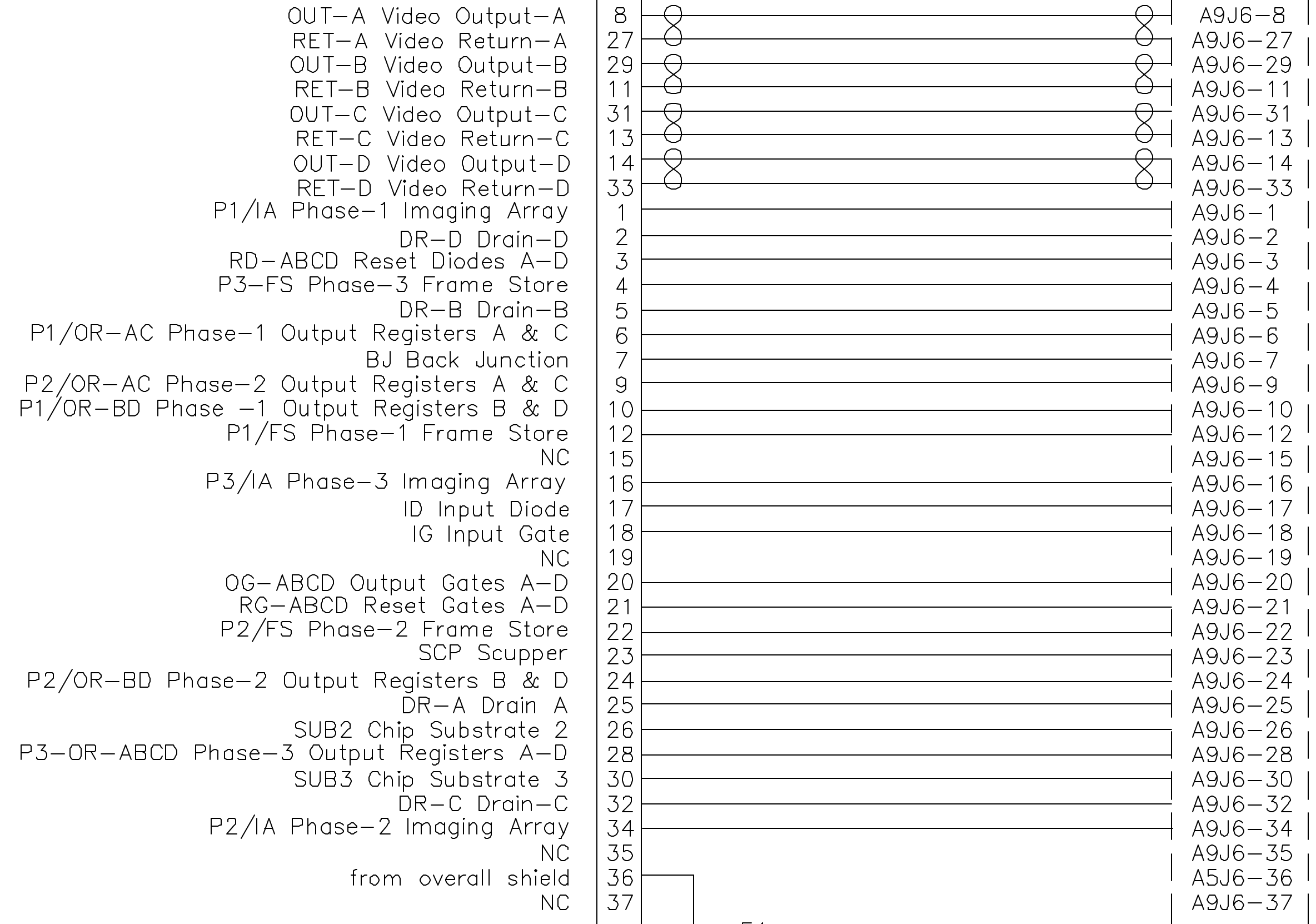


B

B

A

A



E4
J6 37 Socket D-Subminiature

BACKPLANE

SIZE C	CAGE CODE 80230	DWG. NO. 30-05021.02	REV. A
SCALE NONE	SHEET 3		

4

3



2

1

4

3

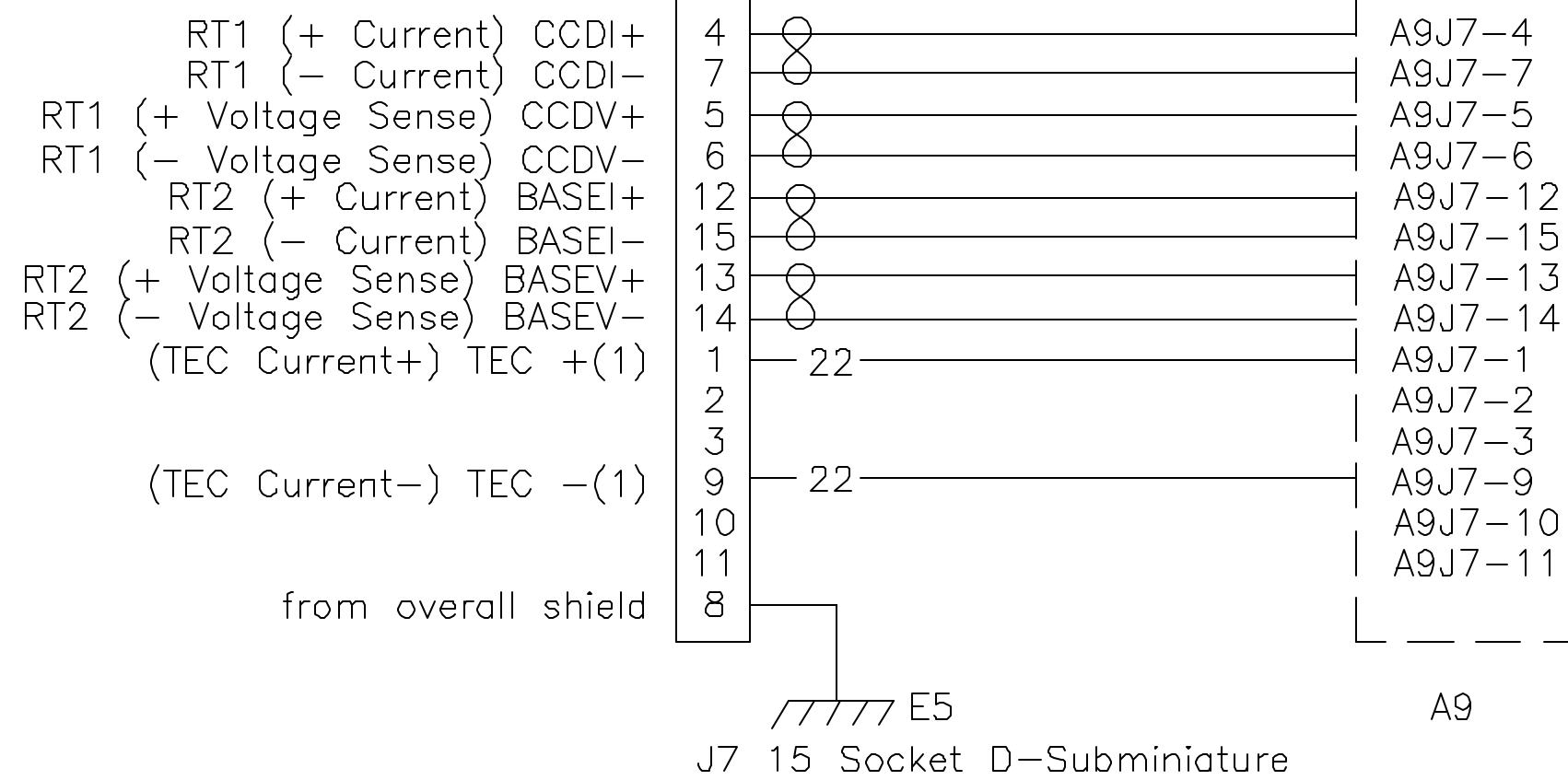


2

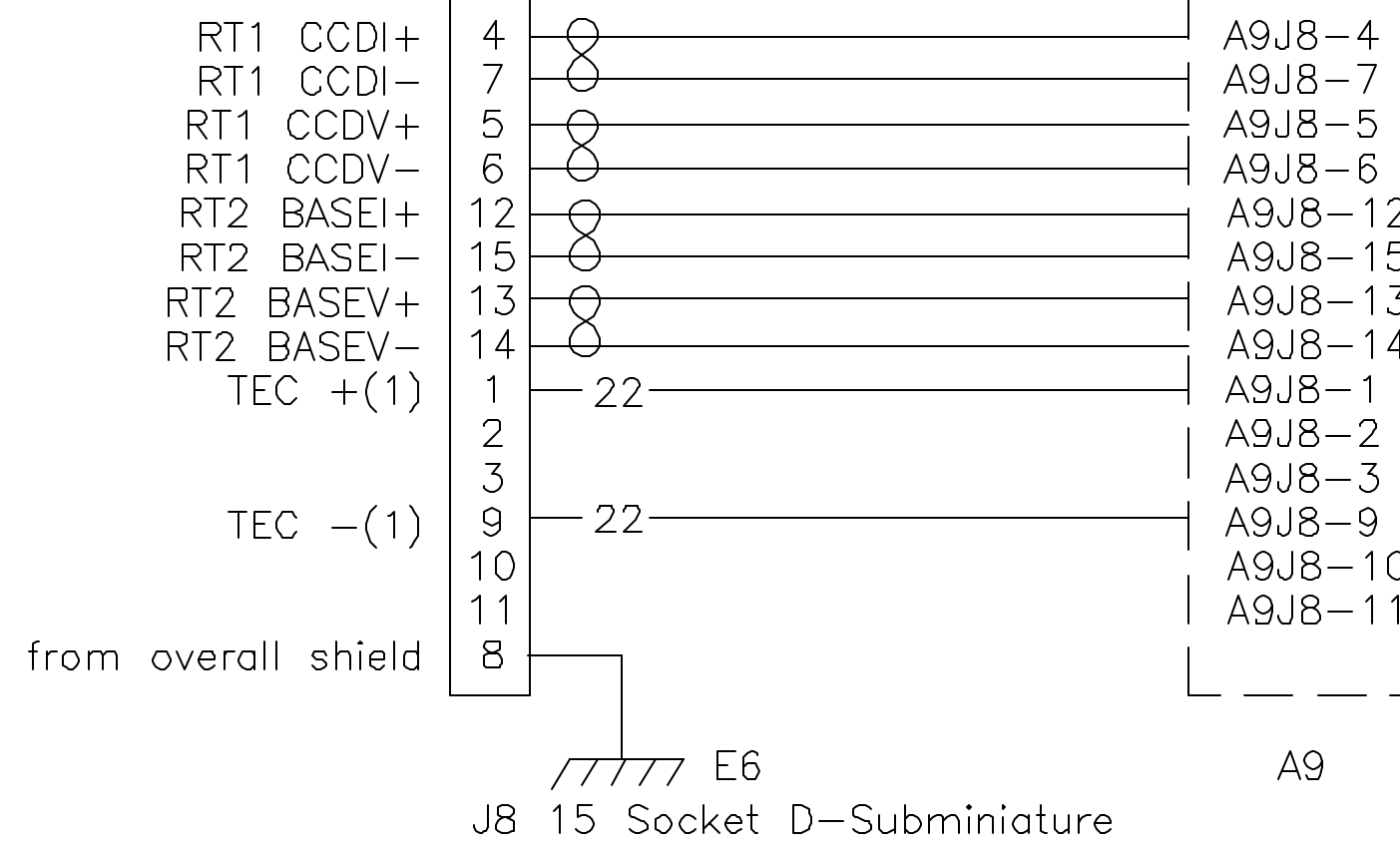
1

REVISIONS					
REV.	ECO NO.	DESCRIPTION	CHECKED	APPROVED	DATE
		SEE SHEET 1			

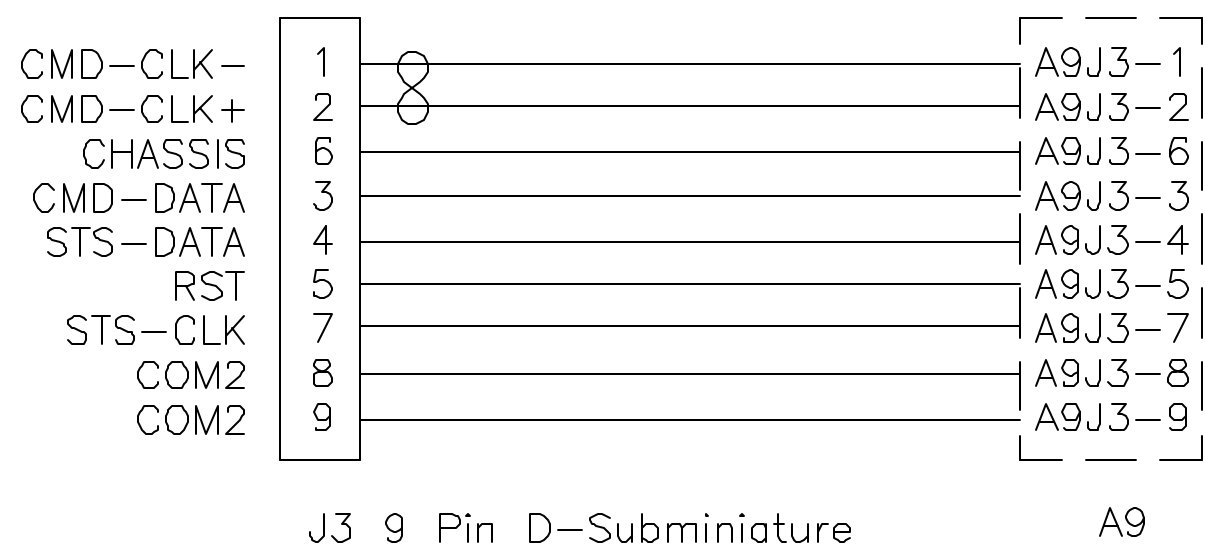
W17
TEC-0,2



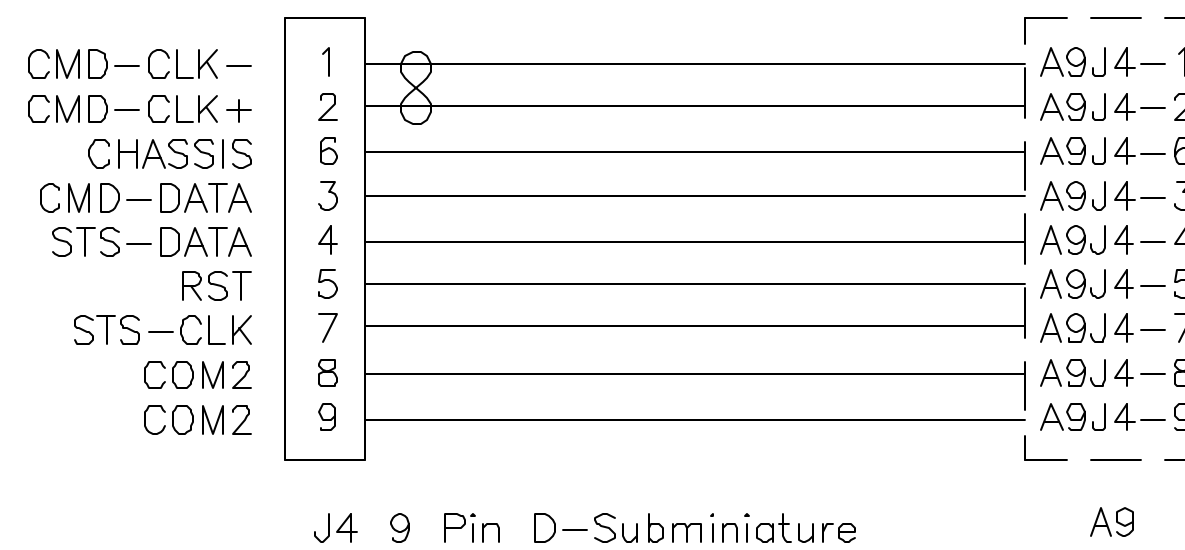
W18
TEC-1,3



W12
MPU-0,2



W13
MPU-1,3



SIZE C	CAGE CODE 80230	DWG. No. 30-05021.02	REV. A
SCALE NONE		SHEET 4	

4

3



2

1

D

D

C

C

B

B

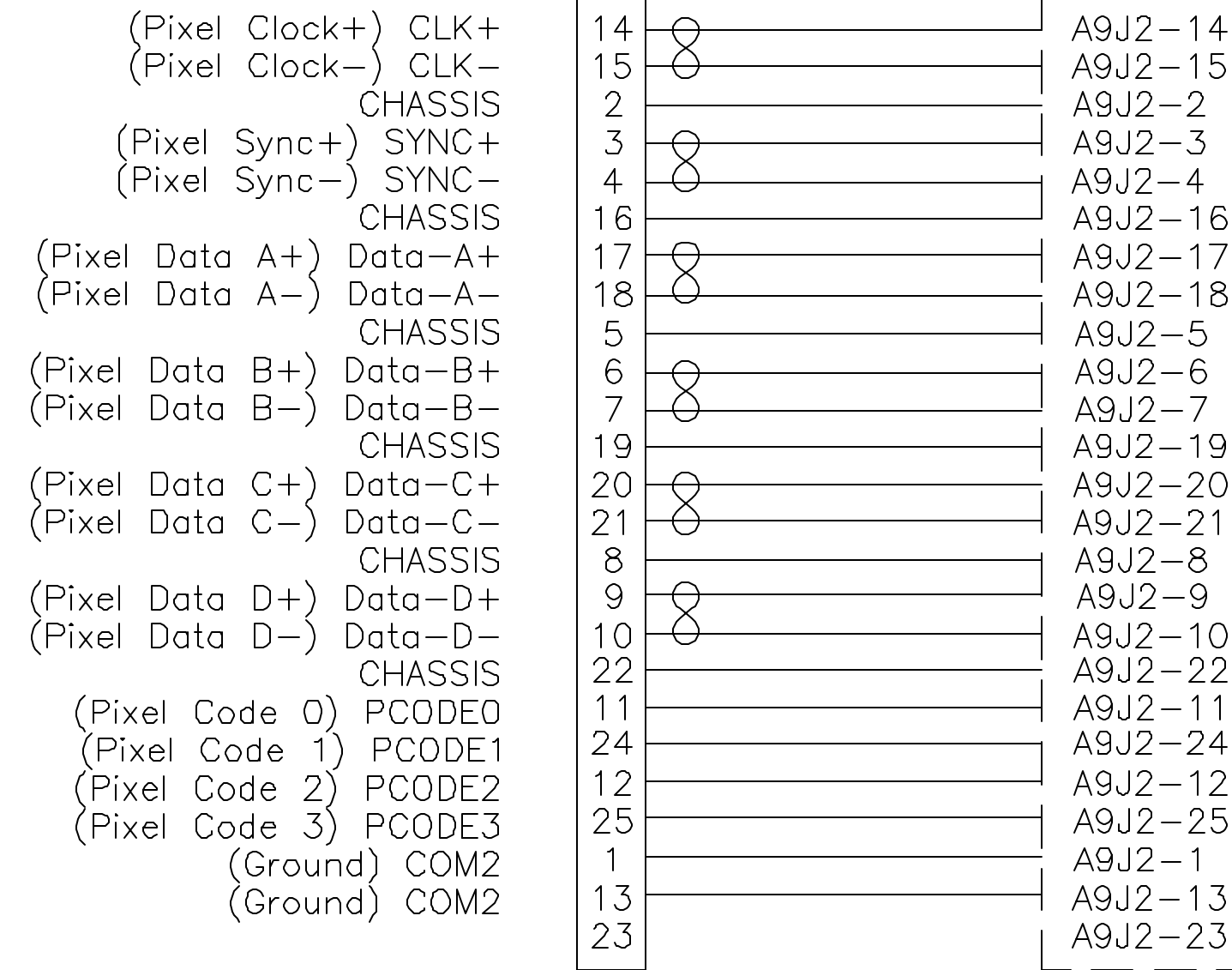
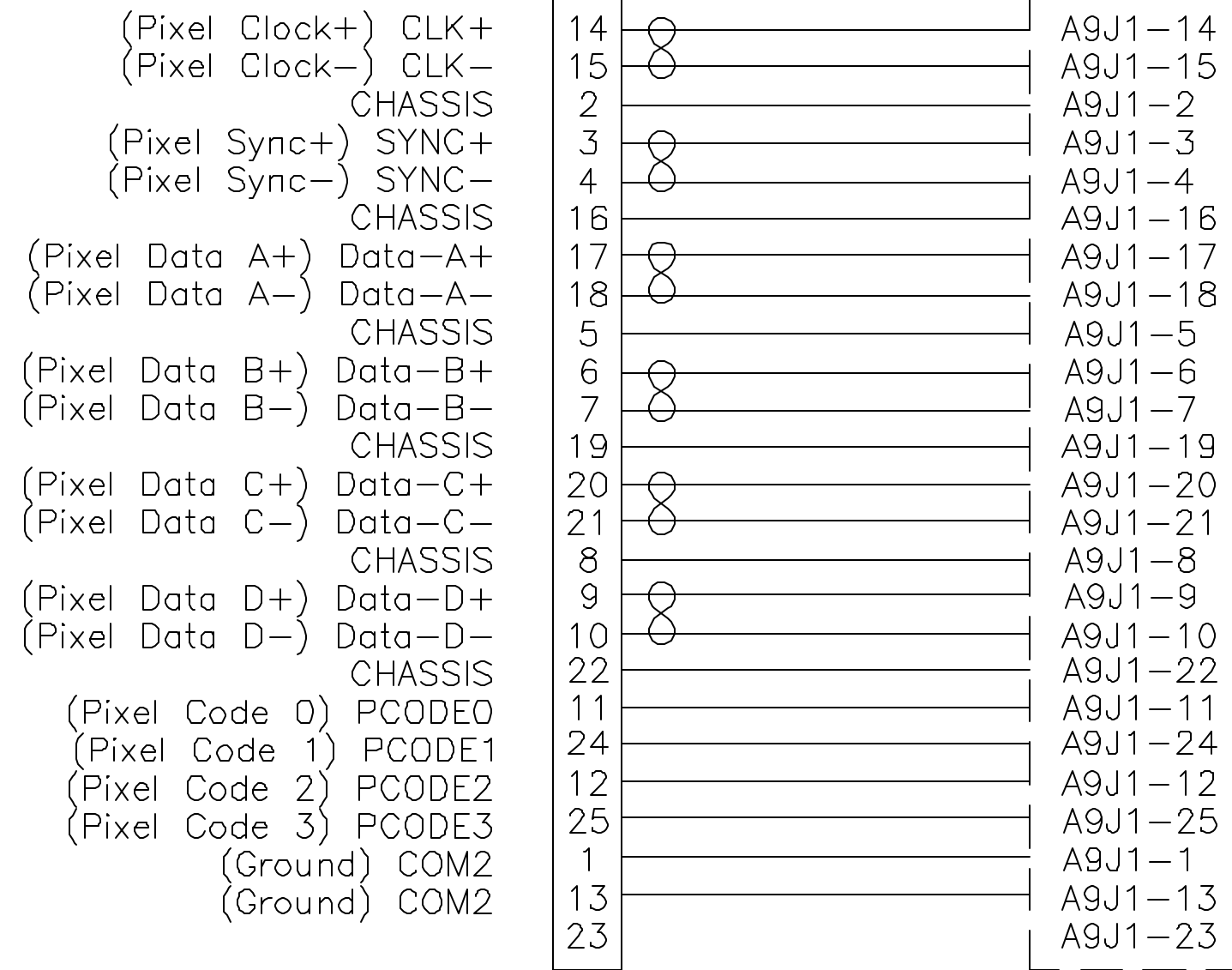
A

A

REVISIONS					
REV.	ECO NO.	DESCRIPTION	CHECKED	APPROVED	DATE
		SEE SHEET 1			

W10
PPU-0,2

W11
PPU-1,3



J1 D-Subminiature
25 Socket

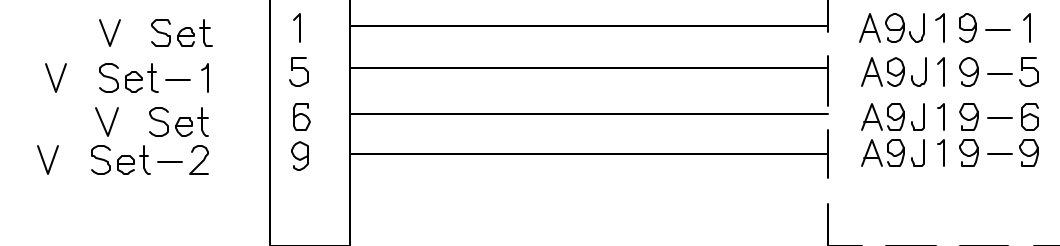
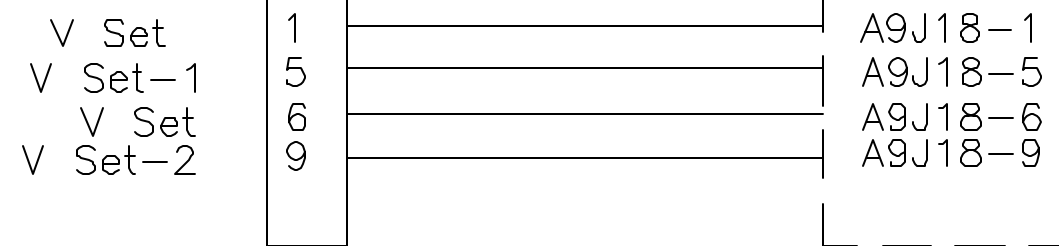
A9

J2 D-Subminiature
25 Socket

A9

W19
DR-S0, S2

W20
DR-1, S3



J10 D-Subminiature
9 Socket

A9

J11 D-Subminiature
9 Socket

A9

SIZE C	CAGE CODE 80230	DWG. NO. 30-05021.02	REV. A
SCALE NONE		SHEET 5	

4

3

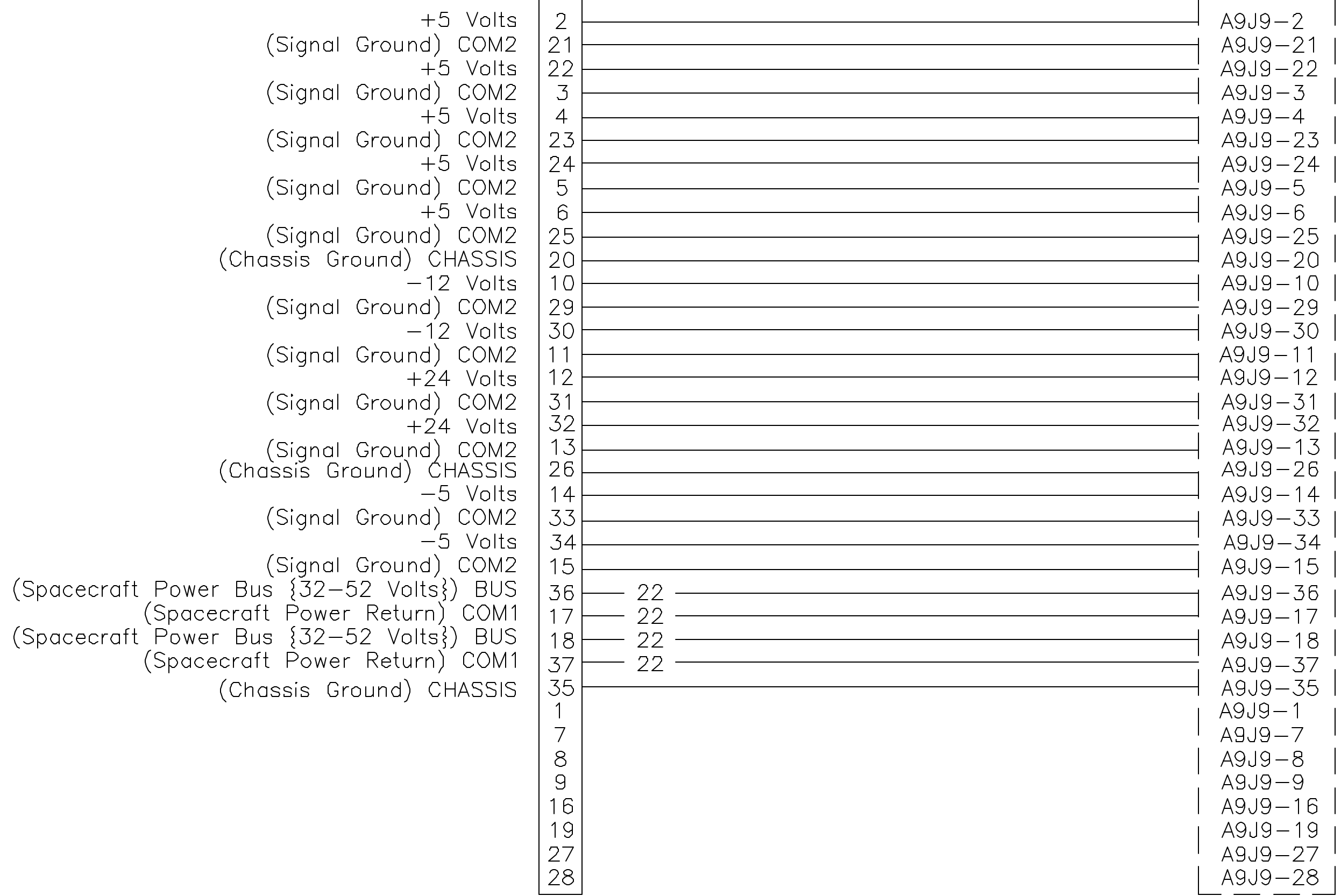


2

1

REVISIONS					
REV.	ECO NO.	DESCRIPTION	CHECKED	APPROVED	DATE
		SEE SHEET 1			

W14
PSUSIM



J9 D-Subminiature
37PIN

A9

D

D

C

C

B

B

A

A

4

3



2

1

SIZE C	CAGE CODE 80230	DWG. No. 30-05021.02	REV. A
SCALE NONE		SHEET 6	